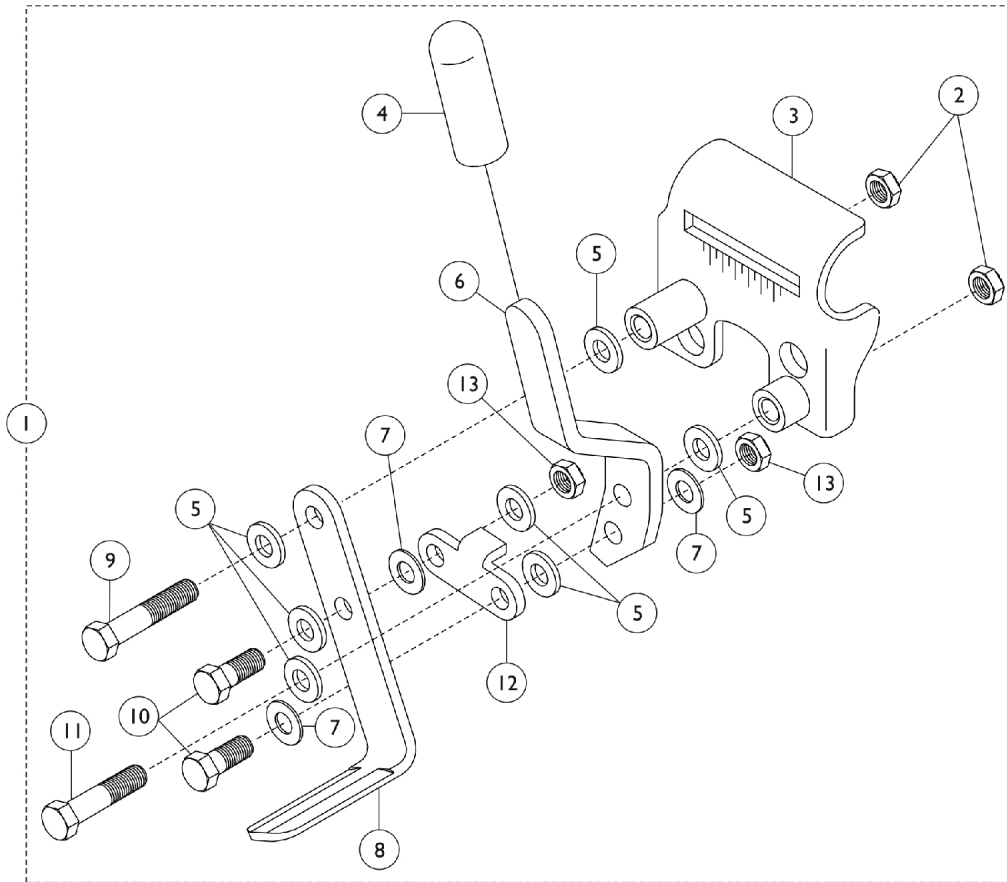
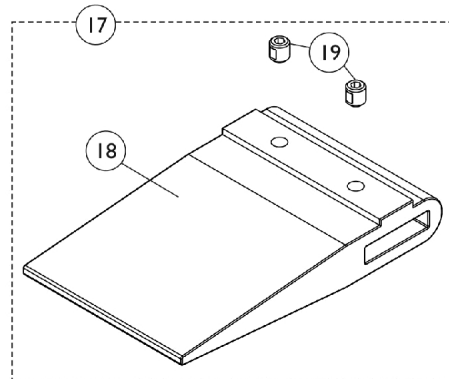
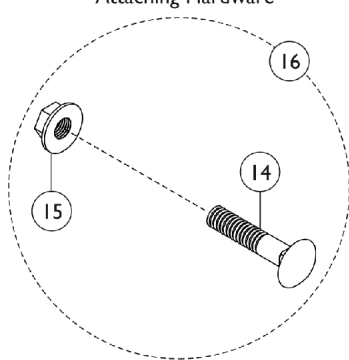


# Link-Pivot Style Wheel Locks

## 9690B/9691B Removable Arm - EXI, SX5RC (After 4/16/07)



Attaching Hardware



## Link-Pivot Style Wheel Locks

### 9690B/9691B Removable Arm - EXI, SX5RC (After 4/16/07)

Item Number	Note	Part Number	Description	Quantity Per	
				Package	Assembly
1	A	1101452	Wheel Lock Assembly, Push to Lock, Black - Right	1	1
1	A	1101453	Wheel Lock Assembly, Push to Lock, Black - Left	1	1
1	A	1101454	Wheel Lock Assembly, Pull to Lock, Black - Right	1	1
1	A	1101455	Wheel Lock Assembly, Pull to Lock, Black - Left	1	1
2		1025195	Locknut (1/4-20)	1	1
3		1053284	Bracket, Mounting, Black - Right	1	1
3		1053285	Bracket, Mounting, Black - Left	1	1
4		47376X024	Tip, Rubber Wheel Lock Handle, Black	1	1
5		1026033	Washer, Nylon (1/4 x 1/2 x 1/16")	1	7
6		1102134	Handle, Push/ Lock, Black - Right	1	1
6		1102135	Handle, Push/ Lock, Black - Left	1	1
6		1031780-NLA	NLA - Handle, Pull/ Lock, Black - Right	1	1
6		1031781-NLA	NLA - Handle, Pull/ Lock, Black - Left	1	1
7		1026103	Washer, Nylon (1/4 x 1/2 x 1/32")	1	3
8		1102133	Shoe, Wheel Lock	1	1
9		1030949	Screw, Hex Head (1/4-20 x 1-1/2")	1	1
10		1028687	Screw, Hex Head (1/4-28 x 3/4")	1	2
11		1021406	Screw, Hex Head (1/4-20 x 1-1/4")	1	1
12		1102132-NLA	NLA - Link, Black	1	1
13		1025765	Locknut (1/4-28)	1	1
14		1021402	Bolt, Carriage (1/4-20 x 1-1/4")	1	2
15		1021403	Nut, Hex Flang (1/4-20)	1	1
16	B	1017677	Kit, Hardware, Wheel Lock (Pair)	1	1
			Bolt, Carriage (1/4-20 x 1-1/4")	1	2
			Nut, Hex Flang (1/4-20)	1	2
17	E,H,I	1067279	Kit, Wheel Lock Shoe Spacer	1	1
18			Spacer, Wheel Lock Shoe (2-7/16")	1	1
19			Screw, Set Socket Cup Point (#8-32 x 3/16")	1	2
17	F,H,I	1048656	Kit, Wheel Lock Shoe Spacer	1	1
18			Spacer, Wheel Lock Shoe (1-45/64")	1	1
19			Screw, Set Socket Cup Point (#8-32 x 3/16")	1	2
17	G,I	1037421	Kit, Wheel Lock Shoe Spacer, 20" Rear Wheels (Pair)	1	1
18			Spacer, Wheel Lock Shoe (2-63/64")	1	2
19			Screw, Set Socket Cup Point (#8-32 x 3/16")	1	4
	D	1058899	Wheel Lock Extension Handle Assembly, Black (6")	1	1
	C,D	00078X021	Instruction Sheet, Wheel Lock	1	1

NOTE: A - Includes Items 2 - 13.  
B - Includes Items 14 and 15  
C - Includes: Handles, Tips, Cords, and Washers.  
D - Not shown. Includes: 1 each Extension Handle and Rubber Tip  
E - Required for chairs with 22" or 24" rear wheels with amputee attachment or SX5 recliner with 24" wheels  
F - Required for chairs with 22" rear wheels without an amputee attachment.  
G - Required for chairs with 20" rear wheels. Shoe spacer is used with or without an amputee attachment  
H - Kit quantity covers one side only.  
I - Includes items 18 and 19.