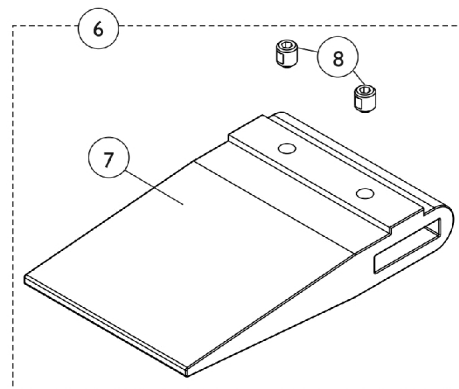
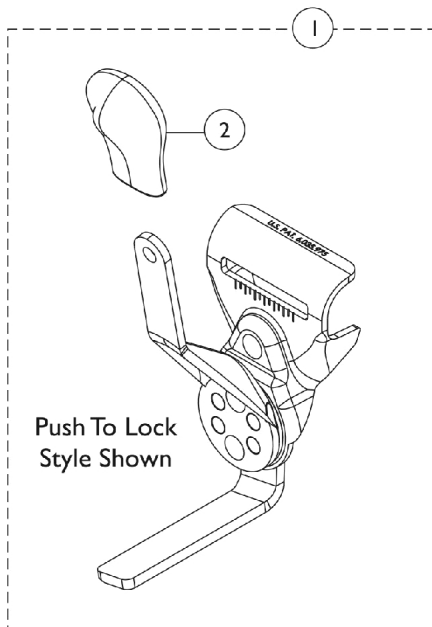
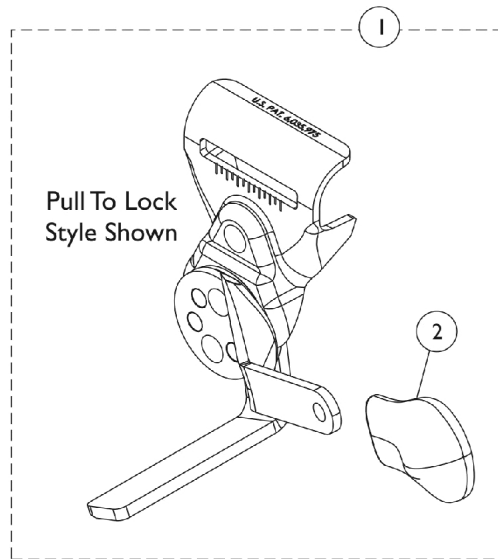
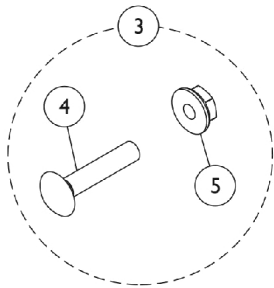


Disk Style Wheel Locks

9690/9691 Removable Arm - EX1, SX5RC (8/15/03 - 4/16/07)

9690/9691 Flip Back Arm - EX2, SX5 (8/15/03 - 4/14/07)

NOTE: Push to Lock Wheel Lock is used on an Adult style wheelchair. Pull to Lock Wheel Lock is used on a Hemi style wheelchair. Disk Wheel Locks changed from standard on-chair to optional starting 4/15/07 with the EX2 & SX5 Non-Recliner Models.



Disk Style Wheel Locks

9690/9691 Removable Arm - EX1, SX5RC (8/15/03 - 4/16/07)

9690/9691 Flip Back Arm - EX2, SX5 (8/15/03 - 4/14/07)

NOTE: Push to Lock Wheel Lock is used on an Adult style wheelchair. Pull to Lock Wheel Lock is used on a Hemi style wheelchair. Disk Wheel Locks changed from standard on-chair to optional starting 4/15/07 with the EX2 & SX5 Non-Recliner Models.

Item Number	Note	Part Number	Description	Quantity Per	
				Package	Assembly
1	A,K,K1, K2	1110227-NLA	NLA - Wheel Lock Assembly, Disk Pull to Lock, Black - Right	1	1
1	A,K,K1, K2	1110228-NLA	NLA - Wheel Lock Assembly, Disk Pull to Lock, Black - Left	1	1
1	B,K,K1, K2	1110225-NLA	NLA - Wheel Lock Assembly, Disk Push to Lock, Black - Right	1	1
1	B,K,K1, K2	1110226-NLA	NLA - Wheel Lock Assembly, Disk Push to Lock, Black - Left	1	1
2		1110160-NLA	NLA - Tip, Plastic Wheel Lock Handle, Black	1	1
3	C	1017677	Kit, Hardware, Wheel Lock (Pair)	1	1
4			Nut, Hex Flang (1/4-20)	1	2
5			Bolt, Carriage (1/4-20 x 1-1/4")	1	2
6	E,H,I	1067279	Kit, Wheel Lock Shoe Spacer	1	1
7			Spacer, Wheel Lock Shoe (2-7/16")	1	1
8			Screw, Set Socket Cup Point (#8-32 x 3/16")	1	2
6	F,H,I	1048656	Kit, Wheel Lock Shoe Spacer	1	1
7			Spacer, Wheel Lock Shoe (1-45/64")	1	1
8			Screw, Set Socket Cup Point (#8-32 x 3/16")	1	2
6	G,I	1037421	Kit, Wheel Lock Shoe Spacer, 20" Rear Wheels (Pair)	1	1
7			Spacer, Wheel Lock Shoe (2-63/64")	1	2
8			Screw, Set Socket Cup Point (#8-32 x 3/16")	1	4
	D	1058900	Wheel Lock Extension Handle Assembly, Black (8")	1	1
	J	1101452	Wheel Lock Assembly, Push to Lock, Black - Right	1	1
	J	1101453	Wheel Lock Assembly, Push to Lock, Black - Left	1	1
	J	1101454	Wheel Lock Assembly, Pull to Lock, Black - Right	1	1
	J	1101455	Wheel Lock Assembly, Pull to Lock, Black - Left	1	1

NOTE: A - Pull to Lock style wheel locks are used on Hemi style wheelchairs.
 B - Push to Lock style wheel locks are used on Adult style wheelchairs.
 C - Includes (2) each of items 3 and 4.
 D - Not shown. Includes: 1 each Extension Handle and Rubber Tip. Use for Disk-Style Wheel Locks.
 E - Required for chairs with 22" or 24" rear wheels with amputee attachment or SX5RC with 24" wheels
 F - Required for chairs with 22" rear wheels without an amputee attachment.
 G - Required for chairs with 20" rear wheels. Shoe spacer is used with or without an amputee attachment
 H - Kit quantity covers one side only.
 I - Includes items 7 and 8
 J - Not Shown.
 K - Disk Style Wheel Locks are no longer available as a Service Part. Must convert to Link-Pivot Style Wheel Locks listed.
 Order Right/Left side to match. For EX1/SX5RC w/ Removable Arms or EX2/SX5 w/ Flip Back Arms use part #'s 1101452/1101453 (Push to Lock)
 K1 - or 1101454/1101455 (Pull to Lock). Can use existing attaching hardware.
 K2 - Additional Wheel Lock information can be found under categories titled "Wheel Locks - Link-Pivot Style, Removable Arm - EX1, SX5RC (After 4/16/07)" or "Wheel Locks - Link-Pivot Style, Flip Back Arm - EX2, SX5 (After 4/14/07)".