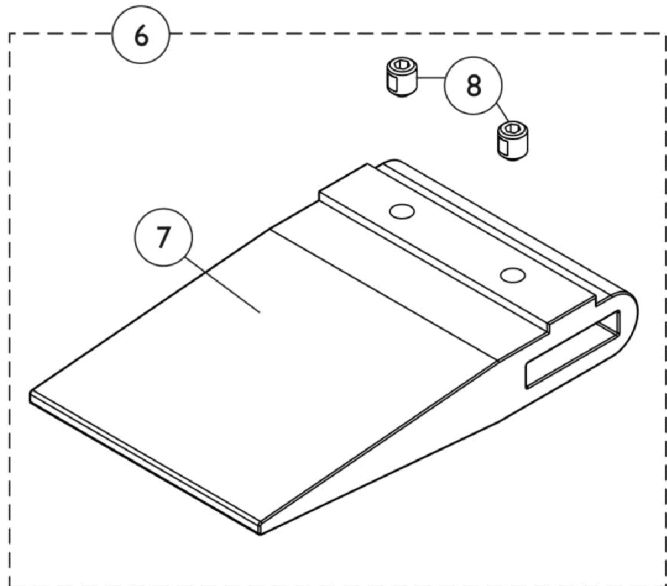
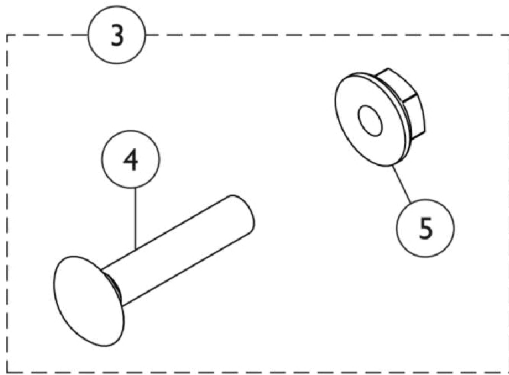
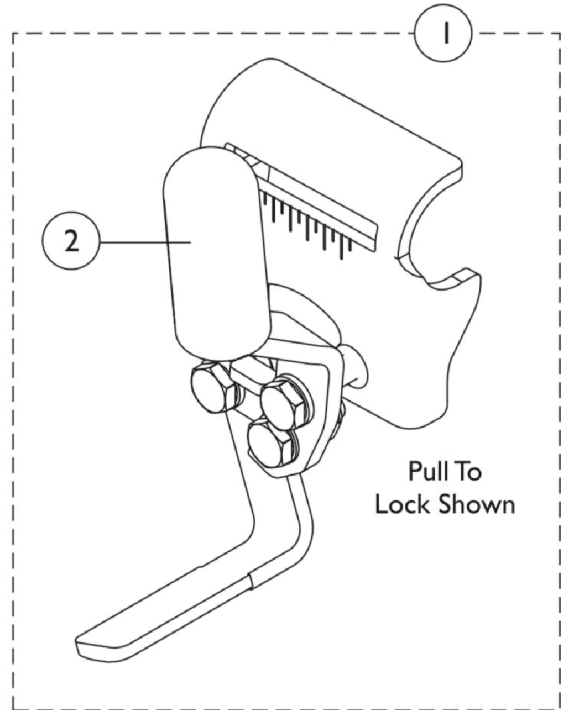
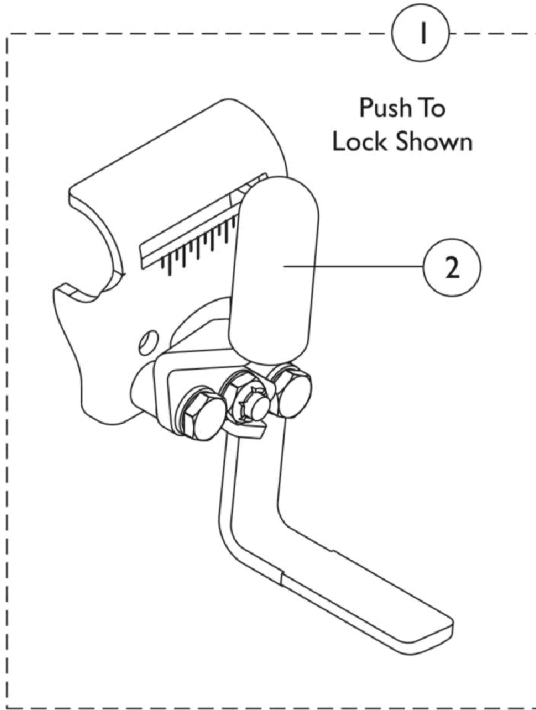


# Link-Pivot Style Wheel Locks

9690B/9691B Removable Arm - EX1, EX2, SX5RC & Flip Back Arm - SX5



## Link-Pivot Style Wheel Locks

### 9690B/9691B Removable Arm - EX1, EX2, SX5RC & Flip Back Arm - SX5

Item Number	Note	Part Number	Description	Quantity Per	
				Package	Assembly
1		1101452	Wheel Lock Assembly, Push to Lock, Black - Right	1	1
1		1101453	Wheel Lock Assembly, Push to Lock, Black - Left	1	1
1		1101454	Wheel Lock Assembly, Pull to Lock, Black - Right	1	1
1		1101455	Wheel Lock Assembly, Pull to Lock, Black - Left	1	1
2		47376X024	Tip, Rubber Wheel Lock Handle, Black	1	1
3	A	1017677	Kit, Hardware, Wheel Lock (Pair)	1	1
4			Bolt, Carriage (1/4-20 x 1-1/4")	1	2
5			Nut, Hex Flang (1/4-20)	1	2
6	B,C,G	1067279	Kit, Wheel Lock Shoe Spacer	1	1
7			Spacer, Wheel Lock Shoe (2-7/16")	1	1
8			Screw, Set Socket Cup Point (#8-32 x 3/16")	1	2
6	B,D,G	1048656	Kit, Wheel Lock Shoe Spacer	1	1
7			Spacer, Wheel Lock Shoe (1-45/64")	1	1
8			Screw, Set Socket Cup Point (#8-32 x 3/16")	1	2
6	B,F	1037421	Kit, Wheel Lock Shoe Spacer, 20" Rear Wheels (Pair)	1	1
			Spacer, Wheel Lock Shoe (2-63/64")	1	2
			Screw, Set Socket Cup Point (#8-32 x 3/16")	1	4
	E	1058900	Wheel Lock Extension Handle Assembly, Black (8")	1	1

NOTE: A - Includes items 4 and 5.  
 B - Includes items 7 and 8.  
 C - Required for chairs with 22" or 24" rear wheels with amputee attachment or SX5RC with 24" rear wheels.  
 D - Required for chairs with 22" rear wheels without an amputee attachment  
 E - Not shown. Includes: 1 each Extension Handle and Rubber Tip. Chrome is No Longer Available.  
 F - Required for chairs with 20" rear wheels. Shoe spacer is used with or without an amputee attachment  
 G - Kit quantity covers one side only.