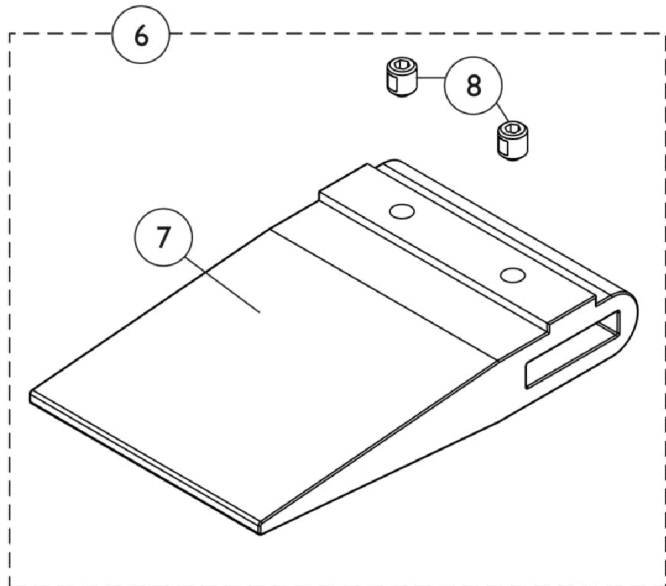
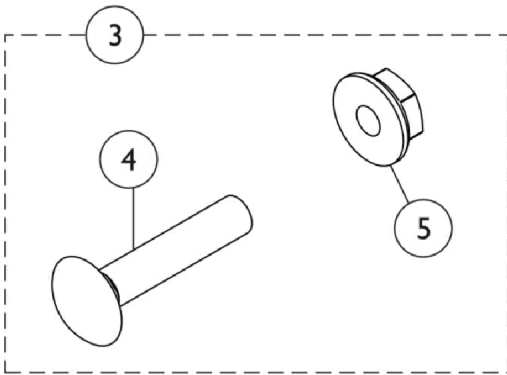
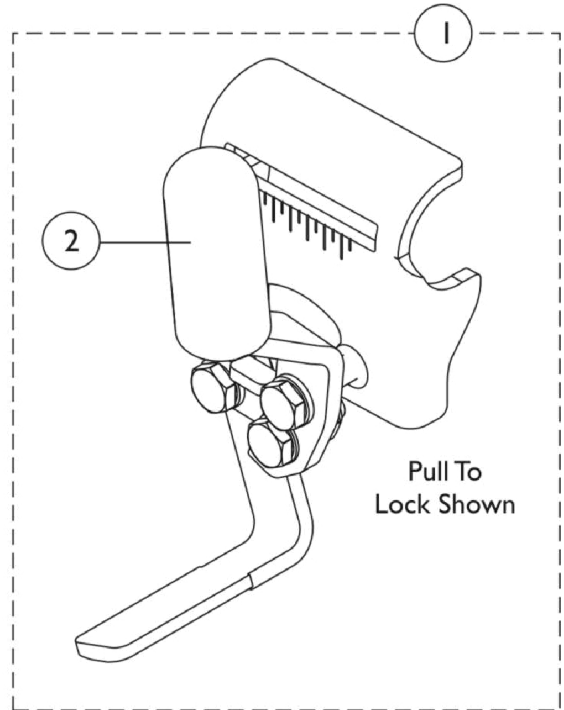
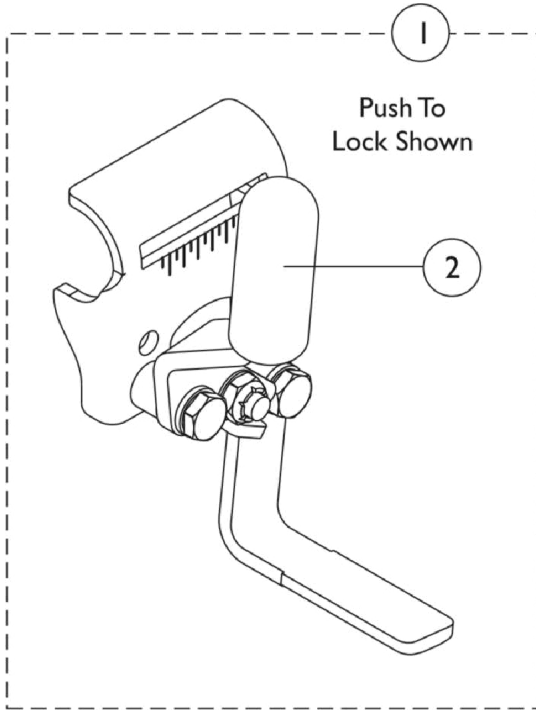


Link-Pivot Style Wheel Locks

9690B/9691B Permanent Arm - EXIFF, EXI, EXFF, EX2 (Before 8/15/03)



Link-Pivot Style Wheel Locks

9690B/9691B Permanent Arm - EXIFF, EXI, EXFF, EX2 (Before 8/15/03)

Item Number	Note	Part Number	Description	Quantity Per	
				Package	Assembly
1	A	1111924	Wheel Lock Assembly, Push to Lock, Black - Right	1	1
1	A	1111925	Wheel Lock Assembly, Push to Lock, Black - Left	1	1
1	B	1111926	Wheel Lock Assembly, Pull to Lock, Black - Right	1	1
1	B	1111927	Wheel Lock Assembly, Pull to Lock, Black - Left	1	1
2		47376X024	Tip, Rubber Wheel Lock Handle, Black	1	1
3	F	1017677	Kit, Hardware, Wheel Lock (Pair)	1	1
4			Bolt, Carriage (1/4-20 x 1-1/4")	1	2
5			Nut, Hex Flang (1/4-20)	1	2
6	C,G,H	1048656	Kit, Wheel Lock Shoe Spacer	1	1
7			Spacer, Wheel Lock Shoe (1-45/64")	1	1
8			Screw, Set Socket Cup Point (#8-32 x 3/16")	1	2
6	D,G,H	1067279	Kit, Wheel Lock Shoe Spacer	1	1
7			Spacer, Wheel Lock Shoe (2-7/16")	1	1
8			Screw, Set Socket Cup Point (#8-32 x 3/16")	1	2
6	E,G	1037421	Kit, Wheel Lock Shoe Spacer, 20" Rear Wheels (Pair)	1	1
7			Spacer, Wheel Lock Shoe (2-63/64")	1	2
8			Screw, Set Socket Cup Point (#8-32 x 3/16")	1	4
	J	1058900	Wheel Lock Extension Handle Assembly, Black (8")	1	1

NOTE: A - Used with Adult Style Chairs.
 B - Used with Hemi Style Chairs.
 C - Required for Chairs with 22" Rear Wheels without an Amputee Attachment.
 D - Required for Chairs with 22" or 24" Rear Wheels with an Amputee Attachment.
 E - Required for Chairs with 20" Rear Wheels. Shoe Spacer is used with or without an Amputee Attachment.
 F - Includes items 4 and 5.
 G - Includes items 7 and 8.
 H - Kit quantity covers one side of chair only.
 J - Not Shown. Includes Extension Handle (1) and Rubber Tip (1). Chrome is No Longer Available.