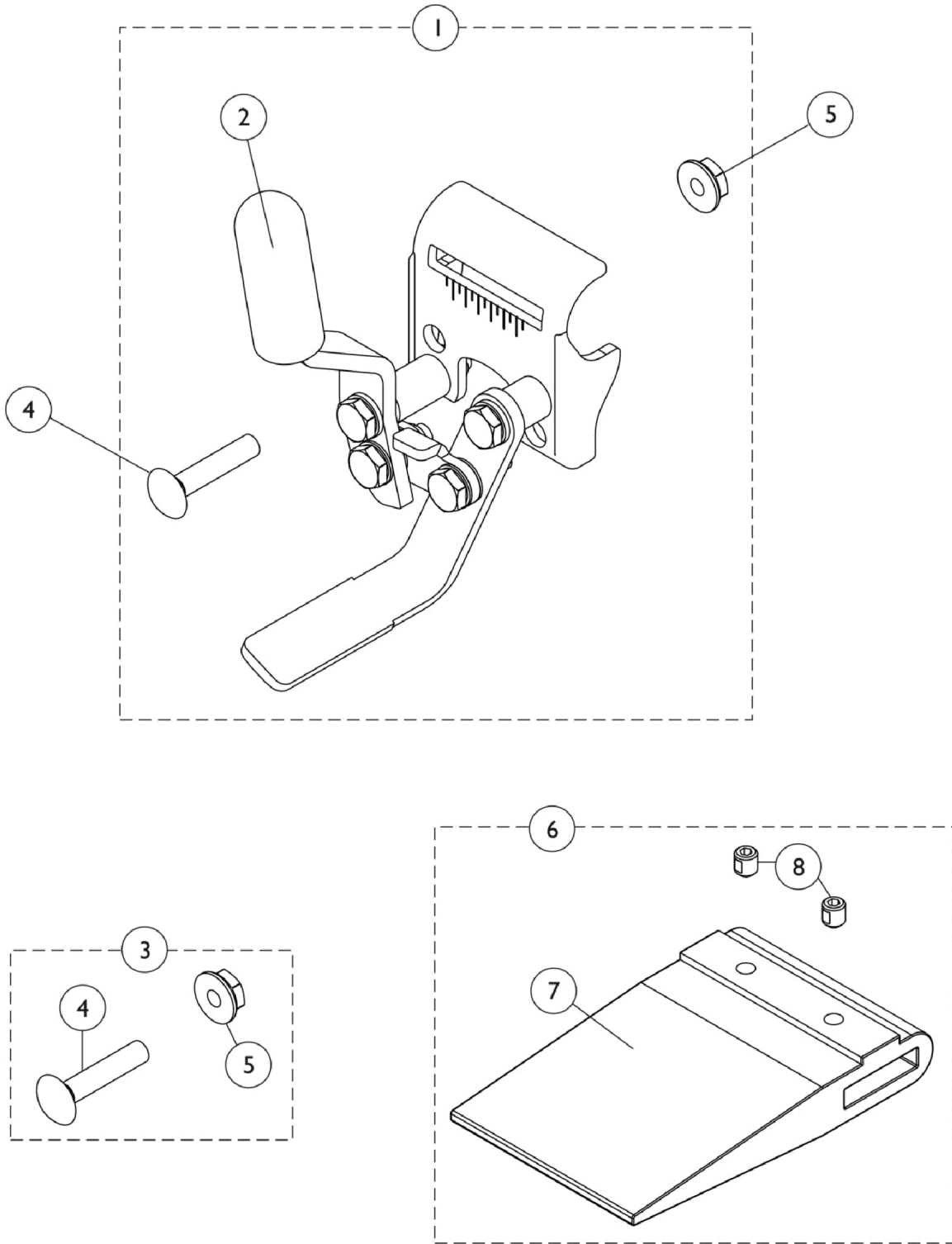


Link-Pivot Style Wheel Locks

9691B/9690B, Space Saver Arm, 9XTP-Canada Only - Added 2/12/04



Link-Pivot Style Wheel Locks

9691B/9690B, Space Saver Arm, 9XTP-Canada Only - Added 2/12/04

Item Number	Note	Part Number	Description	Quantity Per	
				Package	Assembly
1	A,C	1031792	Wheel Lock Assembly, Push to Lock, Adult - Right	1	1
1	A,C	1031793	Wheel Lock Assembly, Push to Lock, Adult - Left	1	1
1	B,C	1031794	Wheel Lock Assembly, Pull to Lock, Hemi - Right	1	1
1	B,C	1031795	Wheel Lock Assembly, Pull to Lock, Hemi - Left	1	1
2		47376X024	Tip, Rubber Wheel Lock Handle, Black	1	1
3	D	1017677	Kit, Hardware, Wheel Lock (Pair)	1	1
4			Bolt, Carriage (1/4-20 x 1-1/4")	1	2
5			Nut, Hex Flang (1/4-20)	1	2
6	E,F	1037421	Kit, Wheel Lock Shoe Spacer, 20" Rear Wheels (Pair)	1	1
7			Spacer, Wheel Lock Shoe (2-63/64")	1	2
8			Screw, Set Socket Cup Point (#8-32 x 3/16")	1	4
6	E,G	1037422	Kit, Wheel Lock Shoe Spacer, 22" Rear Wheels (Pair)	1	1
7			Spacer, Wheel Lock Shoe (1-45/64")	1	2
8			Screw, Set Socket Cup Point (#8-32 x 3/16")	1	4
6	E,H	7400109	Kit, Wheel Lock Shoe Spacer (Pair)	1	1
7			Spacer, Wheel Lock Shoe (2-7/16")	1	2
8			Screw, Set Socket Cup Point (#8-32 x 3/16")	1	4

NOTE: A - These items are not included with wheel lock shoe spacer, they may be needed if chair has 20 or 22" rear wheels. Shoe spacer is also required for 9000XDT Chairs with 19-20" seat depth and Tall Chairs with U2222 rear wheels.
 B - 9000XDT Chairs with Amputee Attachment and 19-20" Seat Depth - pair.
 C - Wheel Lock assemblies do not include hardware, which are items 4 and 5.
 D - Includes items 4 and 5.
 E - Includes items 7 and 8.
 F - For use on 20" rear wheel.
 G - For use on 22" rear wheel.
 H - For use on 9000XDT chairs with amputee attachment and 19-20" seat depth.

NOTE: All Wheel Locks have been changed to black in color.