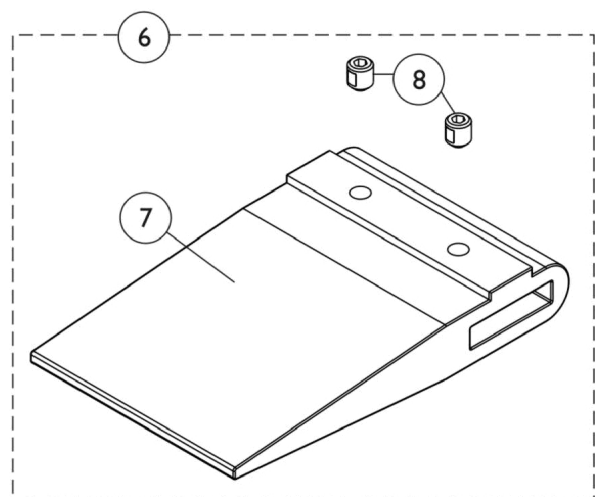
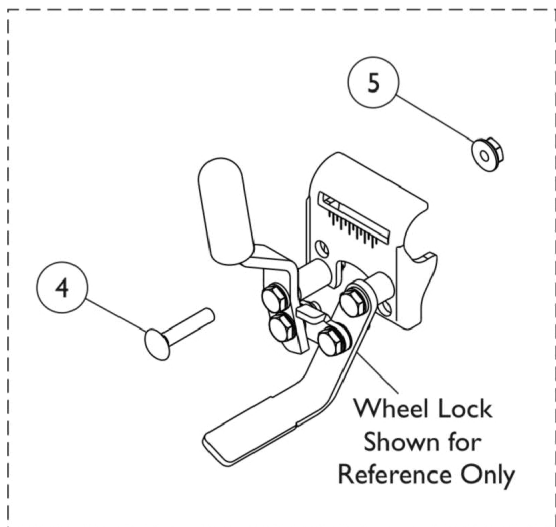
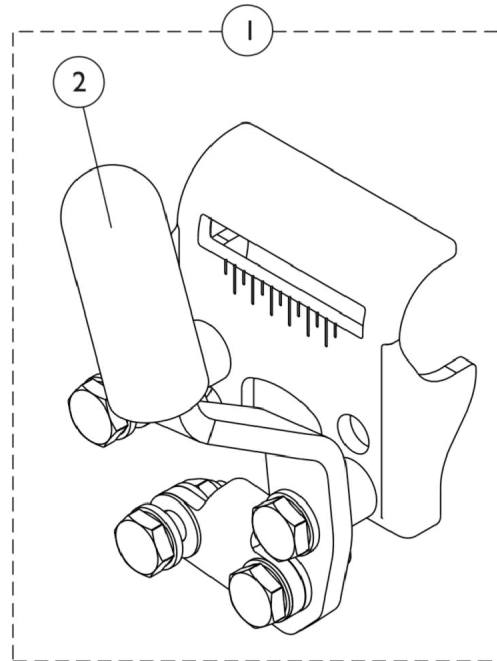
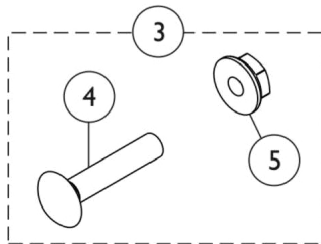


Link-Pivot Style Wheel Locks

9691B/9690B, Conventional Arm 9XT/9XDT/9SL & Conventional Arm Super Low Model, 9XT (B4 8/14/03 Stock) (2/12/04-4/13/07 Bldr.) (After 4/13/07 Stock)



Link-Pivot Style Wheel Locks

9691B/9690B, Conventional Arm 9XT/9XDT/9SL & Conventional Arm Super Low Model, 9XT (B4 8/14/03 Stock) (2/12/04-4/13/07 Bldr.) (After 4/13/07 Stock)

Item Number	Note	Part Number	Description	Quantity Per	
				Package	Assembly
1		1101452	Wheel Lock Assembly, Push to Lock, Black - Right	1	1
1		1101453	Wheel Lock Assembly, Push to Lock, Black - Left	1	1
1		1101454	Wheel Lock Assembly, Pull to Lock, Black - Right	1	1
1		1101455	Wheel Lock Assembly, Pull to Lock, Black - Left	1	1
1	A	1064764	Wheel Lock Assembly, Long, Black, Push to Lock - Right	1	1
1	A	1064765	Wheel Lock Assembly, Long, Black, Push to Lock - Left	1	1
1	A	1064760	Wheel Lock Assembly, Long, Black, Pull to Lock - Right	1	1
1	A	1064761	Wheel Lock Assembly, Long, Black, Pull to Lock - Left	1	1
2		47376X024	Tip, Rubber Wheel Lock Handle, Black	1	1
3	B	1017677	Kit, Hardware, Wheel Lock (Pair)	1	1
4			Bolt, Carriage (1/4-20 x 1-1/4")	1	2
5			Nut, Hex Flang (1/4-20)	1	2
6	C	7400110	Wheel Lock Shoe Spacer Kit, 20" Rear Wheels	1	1
7			Spacer, Wheel Lock Shoe (2-63/64")	1	2
8			Screw, Set Socket Cup Point (#8-32 x 3/16")	1	4
6	C	1037422	Kit, Wheel Lock Shoe Spacer, 22" Rear Wheels (Pair)	1	1
7			Spacer, Wheel Lock Shoe (1-45/64")	1	2
8			Screw, Set Socket Cup Point (#8-32 x 3/16")	1	4
6	C,D	7400109	Kit, Wheel Lock Shoe Spacer (Pair)	1	1
7			Spacer, Wheel Lock Shoe (2-7/16")	1	2
8			Screw, Set Socket Cup Point (#8-32 x 3/16")	1	4

NOTE: A - For use on Super Low chairs only.
 B - Includes items 4 and 5.
 C - Includes items 7 and 8.
 D - This item is not included in the Wheel Lock Assembly. This item may be required for chairs with 20" or 22" wheels, 9000XDT chairs with an Amputee Attachment, 19-20" seat depth or tall chairs with U2222 rear wheels.

Note: Stock pick and Bldr. pick dates refer to how the wheel lock option was offered at the time.