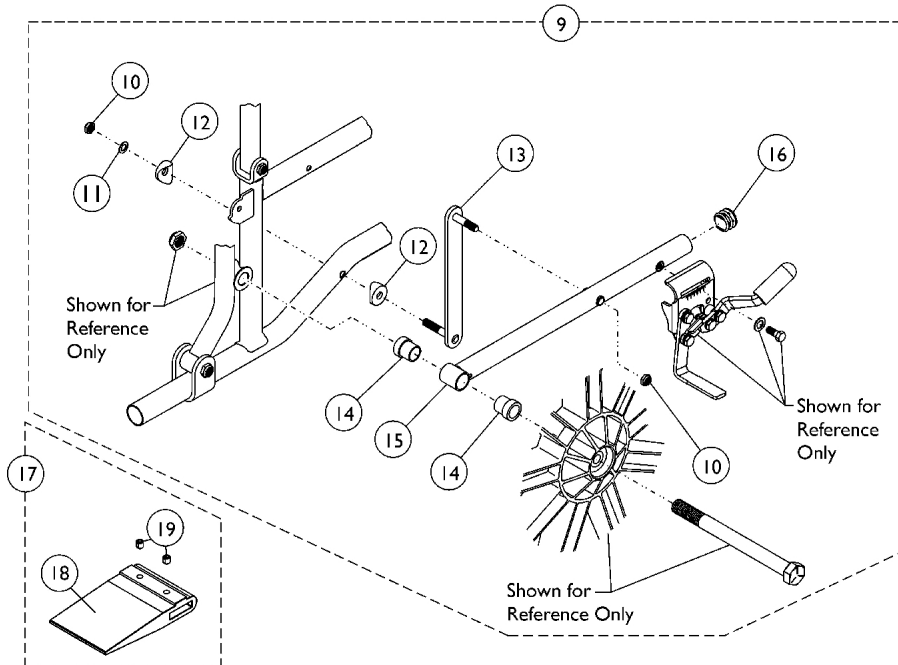
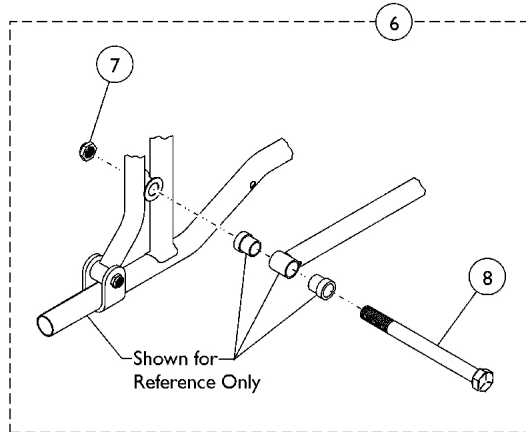
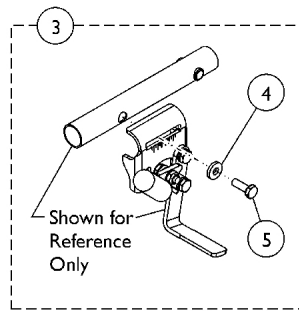
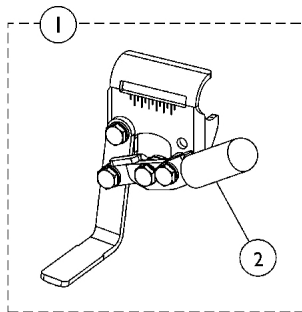


# Patient Operated Style Wheel Locks

## 9696R/1245, Conventional Arm, 9RC



## Patient Operated Style Wheel Locks 9696R/1245, Conventional Arm, 9RC

Item Number	Note	Part Number	Description	Quantity Per	
				Package	Assembly
1		1023493	Wheel Lock Assembly, Push to Lock - Right	1	1
1		1023494	Wheel Lock Assembly, Push / Lock - Left	1	1
1		1023484	Wheel Lock Assembly, Pull / Lock - Right	1	1
1		1023485	Wheel Lock Assembly, Pull / Lock - Left	1	1
2		47376X024	Tip, Rubber Wheel Lock Handle, Black	1	1
3	A,F	1035964	Kit, Hardware, Wheel Lock (Pair)	1	1
4			Washer (1/4 x 5/8 x 3/32")	1	2
5			NLA - Screw, Hex Head (1/4-20 x 3/4")	1	2
6	B	1035978	Kit, Hardware, Rear (Pair)	1	1
7			Locknut (5/8-18)	1	2
8			Screw, Hex Head (5/8-18 x 5-1/2")	1	2
9	C,D	8881181877	Kit, Hardware, Wheel Lock	1	1
10			Locknut (5/16-24)	1	2
11			Washer, Steel (11/32 x 5/8 x 3/64")	1	1
12			Spacer, Coved (3/4 x 1 x 1/2")	1	2
13			Strap and Stud Assembly	1	1
14			Spacer (7/8")	1	2
15			Arm, Pivot, Color	1	1
16			Plug Button, Black (7/8")	1	1
	E	1052754-NLA	NLA - Instruction Sheet, Patient Operated Wheel Lock	1	1
17	G	1037421	Kit, Wheel Lock Shoe Spacer, 20" Rear Wheels (Pair)	1	1
18			Spacer, Wheel Lock Shoe (2-63/64")	1	2
19			Screw, Set Socket Cup Point (#8-32 x 3/16")	1	4
17	H	1037422	Kit, Wheel Lock Shoe Spacer, 22" Rear Wheels (Pair)	1	1
18			Spacer, Wheel Lock Shoe (1-45/64")	1	2
19			Screw, Set Socket Cup Point (#8-32 x 3/16")	1	4

NOTE: A - Includes items 4 and 5.  
 B - Includes items 7 and 8.  
 C - Included items 10-16.  
 D - When ordering this part, #1035964 must also be ordered.  
 E - Not Shown.  
 F - When ordering this kit for a 9XT Recliner, also order 8881181877. Specify 71P Silver Vein. Chrome is No Longer Available.  
 G - Includes items 18 and 19. Use with 20" Rear Wheels.  
 H - Includes items 18 and 19. Use with 22" Rear Wheels.

NOTE: When changing from Attendant Operated Wheel Locks to Patient Operated Wheel Locks, Item #6 (#1035978) is required.