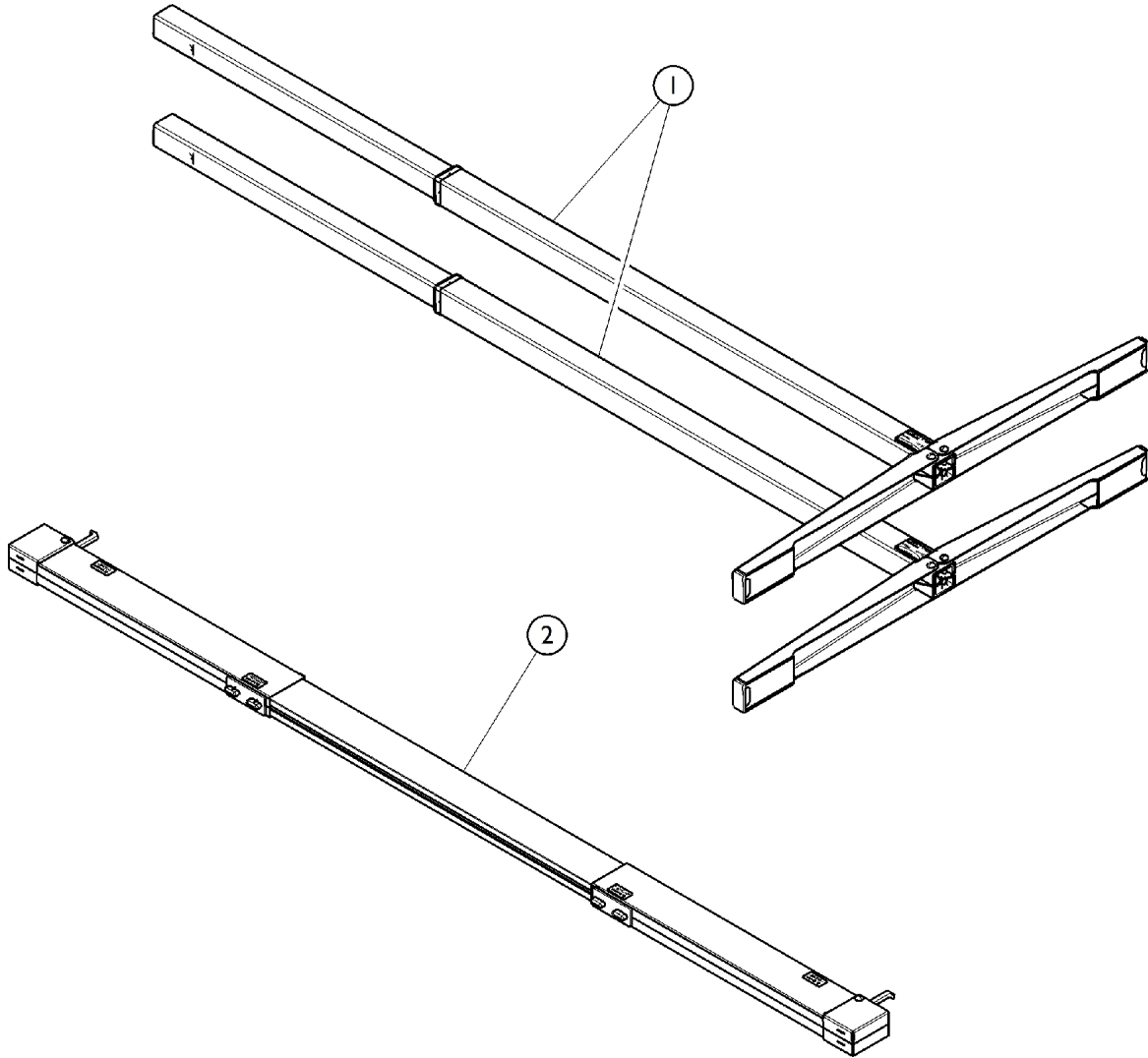


# Free Standing Frame



Item Number	Note	Part Number	Description	Quantity Per	
				Package	Assembly
1		1557119	Vertical Pole, Free Standing Gantry	1	2
2		1557118	Bracket, Rail Top	1	1