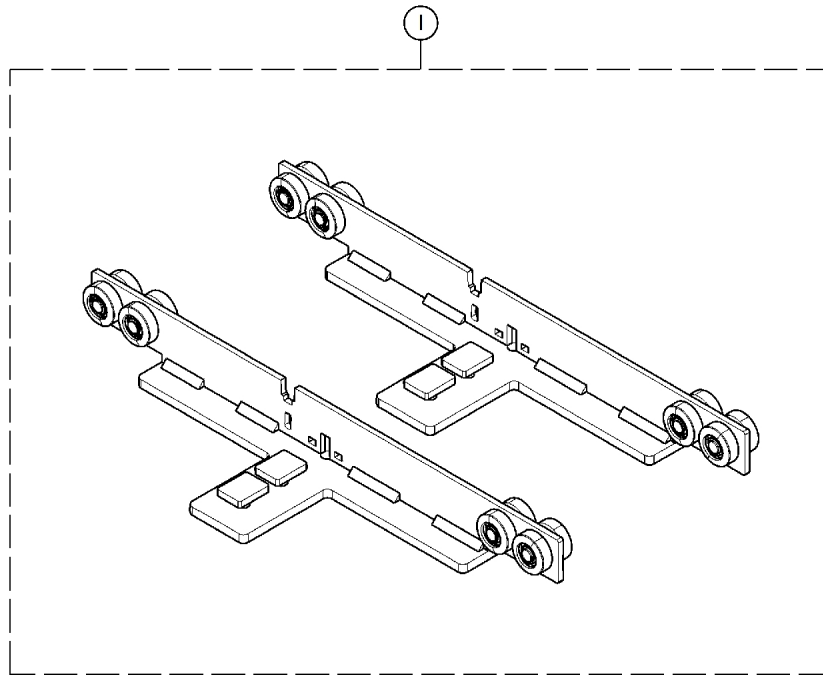


Travers Trolley



Item Number	Note	Part Number	Description	Quantity Per	
				Package	Assembly
1		1557108	Package, Travers Trolley	1	1

Travers Trolley Mounting

Part Number	Capacity	Mounting Size	Mounting Part No.
1557108	205 kg. (450 lbs.)	3M (9 ft., 10 in.) Room Covering, Wall	1556901
1557108	205 kg. (450 lbs.)	3M (9 ft., 10 in.) Room Covering, Ceiling	1556902
1557108	205 kg. (450 lbs.)	3M (9 ft., 10 in.) Room Covering, Upright	1556903
1557108	205 kg. (450 lbs.)	4M (13 ft., 2 in.) Room Covering, Wall	1556963
1557108	205 kg. (450 lbs.)	4M (13 ft., 2 in.) Room Covering, Ceiling	1556973
1557108	205 kg. (450 lbs.)	4M (13 ft., 2 in.) Room Covering, Upright	1556974
1557108	250 kg. (550 lbs.)	3M (9 ft., 10 in.) Room Covering, Wall	1557018
1557108	250 kg. (550 lbs.)	3M (9 ft., 10 in.) Room Covering, Ceiling	1557019
1557108	250 kg. (550 lbs.)	3M (9 ft., 10 in.) Room Covering, Upright	1557020
1557108	250 kg. (550 lbs.)	3.5 (11 ft., 6 in.) x 4M (13 ft., 2 in.) Room Covering, Wall	1557043

Travers Trolley

Travers Trolley Mounting

Part Number	Capacity	Mounting Size	Mounting Part No.
1557108	250 kg. (550 lbs.)	4M (13 ft., 2 in.) Room Covering, Ceiling	1557044
1557108	250 kg. (550 lbs.)	3.5 (11 ft., 6 in.) x 4M (13 ft., 2 in.) Room Covering, Upright	1557045