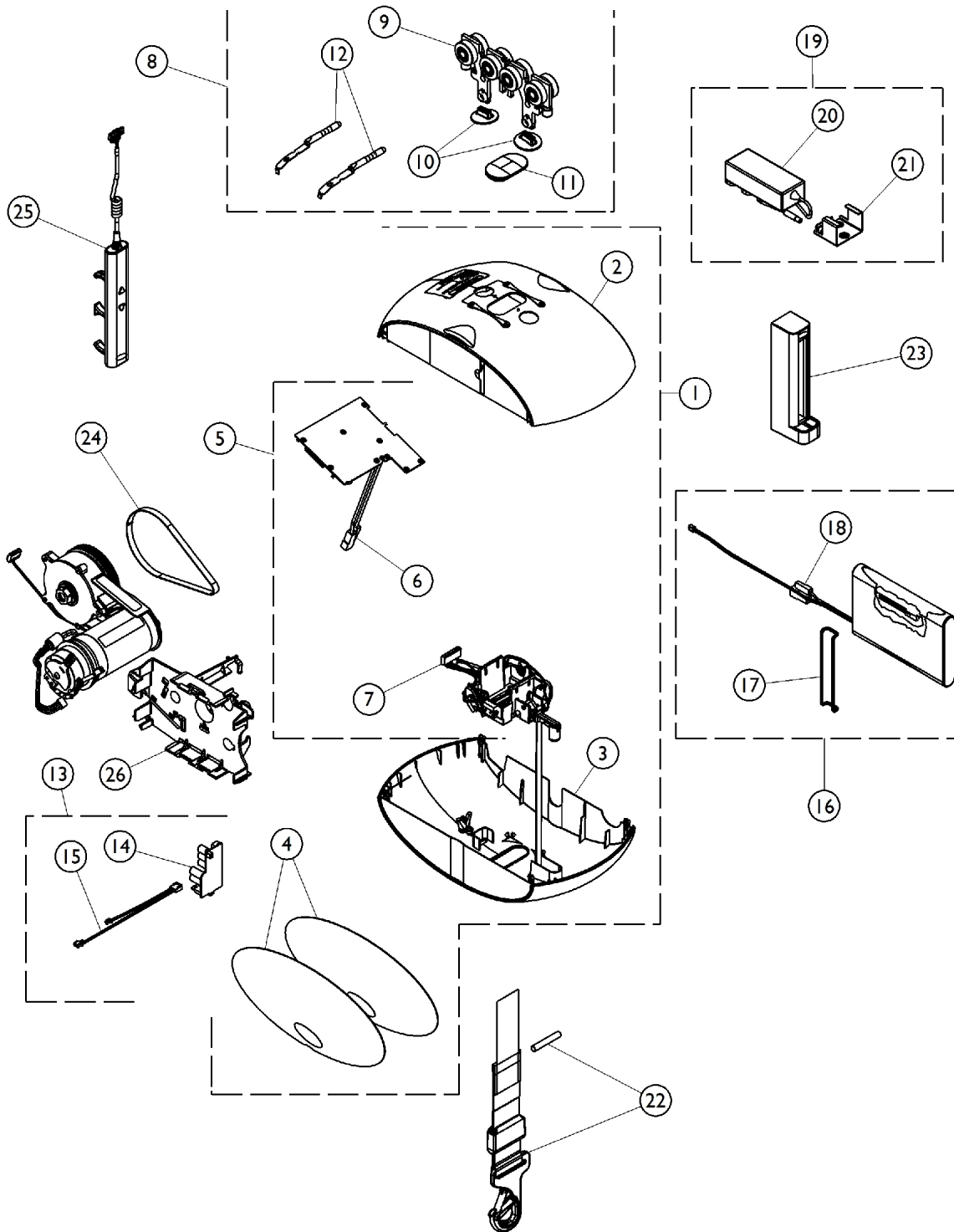


Hoist Service Parts



Hoist Service Parts

Item Number	Note	Part Number	Description	Quantity Per	
				Package	Assembly
1	A	1560948	Kit, Hoist Assembly Covers	1	1
2			Hoist Cover, Top	1	1
3			Hoist Cover, Bottom	1	1
4			Side Cover, Hoist	1	2
5	B	1560950	Kit, Electrical Safety Components	1	1
6			Circuit Board, Safety Motor	1	1
7			Mechanical Safety Control	1	1
8	C	1560949	Kit, Trolley Assembly and Hardware	1	1
9			Trolley Assembly	1	2
10			Strap Access Seal	1	1
11			Rubber Sealing	1	2
12			Trolley Connection	1	1
13	D	1560947	Kit, Charger Circuit Board and Signal Cable	1	1
14			Charger Signal Cable	1	1
15			Charger, Circuit Board	1	1
16	E	1560951	Kit, Battery Pack and Fasteners	1	1
17			Fasteners	1	1
18			Battery Pack, Ni-mH (24V / 2,8 Ah)	1	1
19	F	1560946	Kit, Power Supply and Bracket	1	1
20			Power Supply, 36V DC	1	1
21			Bracket, Power Supply	1	1
22		1557122-NLA	NLA - Strap, Lifting	1	1
23		1557120-NLA	NLA - Portable Docking	1	1
24		1557137-NLA	NLA - Drive Belt, 3mm (0.118 in.) Pitch (9 mm / 0.35 in x 414 mm / 16.3 in.)	1	1
25		1557123-NLA	NLA - Hand Control	1	1
26		1557126-NLA	NLA - Circuit Board and Battery Unit Assembly	1	1
<p>NOTE: A - Kit includes items 2, 3, and 4. B - Kit includes items 6 and 7. C - Kit includes items 10, 11, and 12. D - Kit includes items 14 and 15. E - Kit includes items 17 and 18. F - Kit includes items 20 and 21.</p>					