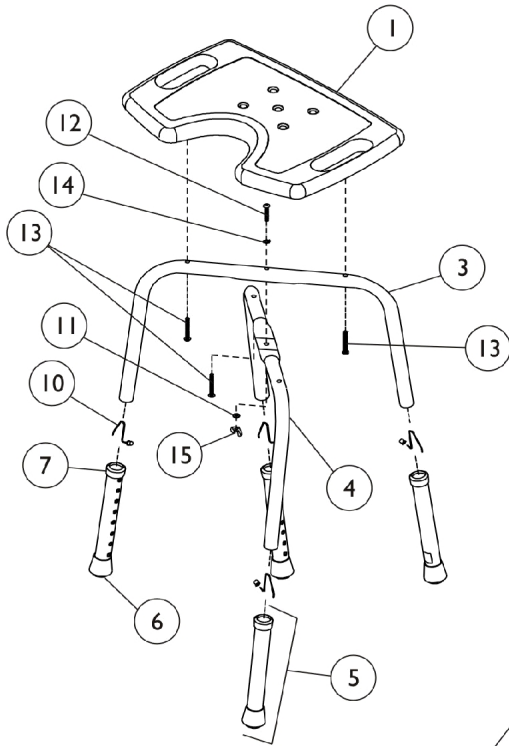
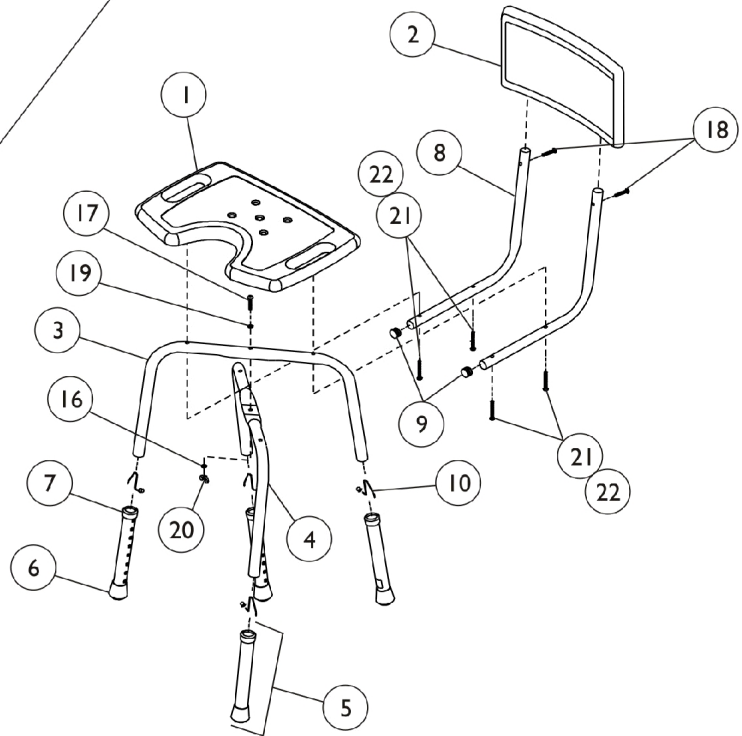


# Shower Chair - Hygienic

## Model 1362 Without Back



## Model 1363 With Back



## Shower Chair - Hygienic

Item Number	Note	Part Number	Description	Quantity Per	
				Package	Assembly
1	A	1070021-NLA	NLA - Seat, Hygienic	1	1
1	B	1079342-NLA	NLA - Seat, Hygienic	1	1
2	A	1068680-NLA	NLA - Back	1	1
2	B	1079340-NLA	NLA - Back	1	1
3	A	1068668-NLA	NLA - Leg, Top	1	1
3	B	1079314-NLA	NLA - Leg, Top	1	1
4	A	1068670-NLA	NLA - Leg, Bottom	1	1
4	B	1079315-NLA	NLA - Leg, Bottom	1	1
5		1065346-NLA	NLA - Leg Extension Assembly	1	4
6		1057797	Tip, Rubber, Light Grey (1-1/8")	1	4
7		1063124	Anti-Rattle, Grey (1-1/8")	1	4
8	A	1068679-NLA	NLA - Tube, Backrest, Support without Plug Buttons	1	2
8	B	1083245-NLA	NLA - Tube, Backrest Support	1	2
9		1027096	Plug Button, Grey (7/8")	1	2
10		1094945	Button, Snap	1	4
	A,D	1068666-NLA	NLA - Kit, Hardware	1	1
	A,F,G	1068678-NLA	NLA - Kit, Hardware	1	1
	B,C,D, E	1074249-NLA	NLA - Kit, Hardware	1	1
11			NLA - Washer, External Tooth Lock (1-1/4")	1	1
12			Screw, Phillips Pan Head (1/4-20 x 1-3/8")	1	1
13			NLA - Screw, Slotted Hex Washer Head (1/4-14 x 1-1/2")	1	4
14			NLA - Washer, Steel Flat (1/4 x 5/8 x 1/16")	1	1
15			NLA - Nut, Wing (1/4-20)	1	1
	B,C,F, G	1079912-NLA	NLA - Kit, Hardware	1	1
16			NLA - Washer, External Tooth Lock (1-1/4")	1	1
17			Screw, Phillips Pan Head (1/4-20 x 1-3/8")	1	1
18			NLA - Screw, Phillips Pan Head Tap (#8-18 x 1/2")	1	2
19			NLA - Washer, Steel Flat (1/4 x 5/8 x 1/16")	1	1
20			NLA - Nut, Wing (1/4-20)	1	1
21			NLA - Screw, Phillips Pan Head (1/4-14 x 2-1/4")	1	4
22	A	18860X007	Screw, Phillips Pan Head (1/4-20 x 2-1/4")	1	4

NOTE: A - Before 11/2/98.  
 B - After 11/1/98.  
 C - Not Shown.  
 D - To be used with Model 1362.  
 E - Kit Includes Items 11-15.  
 F - To be used with Model 1363.  
 G - Kit Includes Items 16-21.