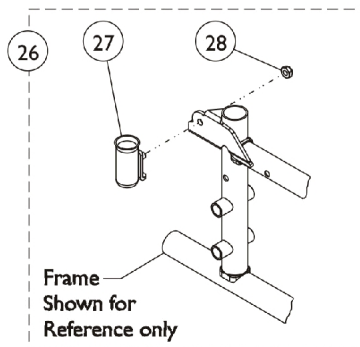
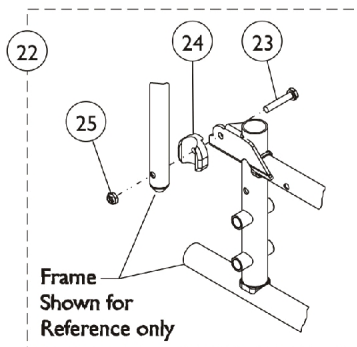
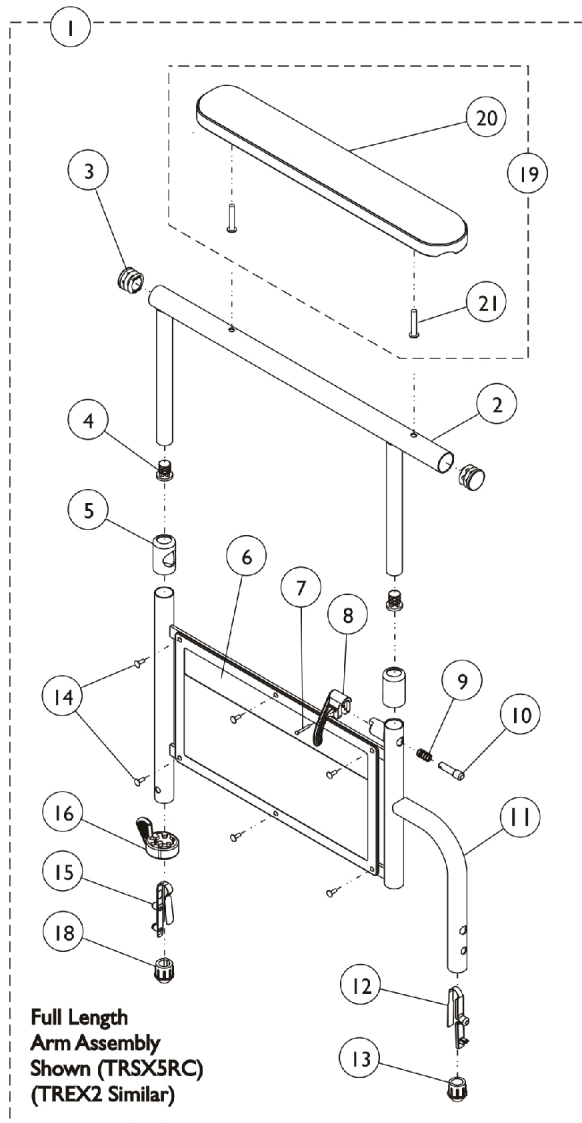
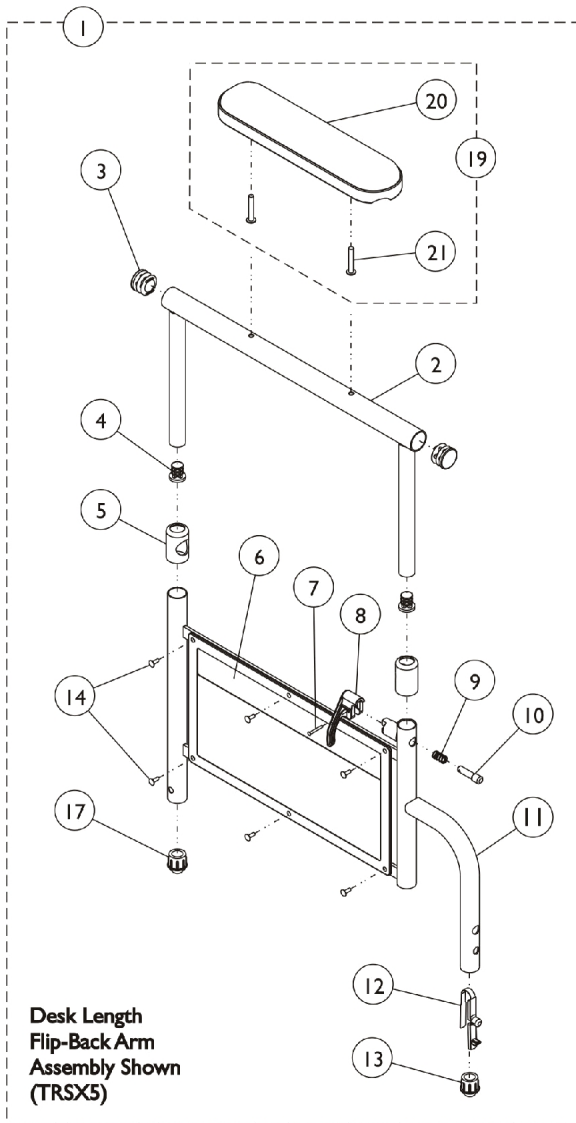


Arm Assembly - Conventional Adjustable Height



Arm Assembly - Conventional Adjustable Height

Item Number	Note	Part Number	Description	Quantity Per			
				Package	Assembly		
1	A	8881127463	Kit, Armrest, Desk Length, Black - Right (Style 29)	1	1		
2			Tube, Armrest, Desk Length, Black	1	1		
3			Plug Button, Black (7/8")	1	2		
4			Plug Button, Black (5/8")	1	2		
5			Anti-Rattle	1	2		
6			Guard, Clothing	1	1		
7			Rivet, Tubular	1	1		
8			Handle, Lock, Black - Right	1	1		
9			Spring, Arm Lock	1	1		
10			Pin, Locking	1	1		
11			Armrest, Adjustable Height, Black	1	1		
12			Spring, Torsion w/ Button Lock	1	1		
13			Plug Button, Arm Tube, Black (3/4")	1	1		
14			Rivet	1	6		
17			Plug, Armrest, Black (3/4")	1	1		
20			Pad, Arm, Desk Length w/ Law Label	1	1		
21			Package, Screw Phillips Pan Head (#10-32 x 1-1/8")	1	1		
1			A	8881127462	Kit, Armrest, Desk Length, Black - Left (Style 29)	1	1
2					Tube, Armrest, Desk Length, Black	1	1
3					Plug Button, Black (7/8")	1	2
4					Plug Button, Black (5/8")	1	2
5	Anti-Rattle	1			2		
6	Guard, Clothing	1			1		
7	Rivet, Tubular	1			1		
8	Handle, Lock, Black - Left	1			1		
9	Spring, Arm Lock	1			1		
10	Pin, Locking	1			1		
11	Armrest, Adjustable Height, Black	1			1		
12	Spring, Torsion w/ Button Lock	1			1		
13	Plug Button, Arm Tube, Black (3/4")	1			1		
14	Rivet	1			6		
17	Plug, Armrest, Black (3/4")	1			1		
20	Pad, Arm, Desk Length w/ Law Label	1			1		
21	Package, Screw Phillips Pan Head (#10-32 x 1-1/8")	1			1		
1	B	8881135513			Kit, Armrest, Desk Length, Chrome - Right (Style 29)	1	1
2					Tube, Arm, Desk Length, Chrome	1	1
3					Plug Button, Black (7/8")	1	2
4					Plug Button, Black (5/8")	1	2
5			Anti-Rattle	1	2		
6			Guard, Clothing	1	1		
7			Rivet, Tubular	1	1		
8			Handle, Lock, Black - Right	1	1		
9			Spring, Arm Lock	1	1		
10			Pin, Locking	1	1		

Arm Assembly - Conventional Adjustable Height

Item Number	Note	Part Number	Description	Quantity Per	
				Package	Assembly
11			Armrest, Adjustable Height, Chrome	1	1
12			Spring, Torsion w/ Button Lock	1	1
13			Plug Button, Arm Tube, Black (3/4")	1	1
14			Rivet	1	6
15			Spring, Torsion with Button Lock	1	1
16			Handle, Quad Release	1	1
18			Plug Button, Arm Tube, Black (3/4")	1	1
20			Pad, Arm, Desk Length w/ Law Label	1	1
21			Package, Screw Phillips Pan Head (#10-32 x 1-1/8")	1	1
1	B	8881135514	Kit, Armrest, Desk Length, Chrome - Left (Style 29)	1	1
2			Tube, Arm, Desk Length, Chrome	1	1
3			Plug Button, Black (7/8")	1	2
4			Plug Button, Black (5/8")	1	2
5			Anti-Rattle	1	2
6			Guard, Clothing	1	1
7			Rivet, Tubular	1	1
8			Handle, Lock, Black - Left	1	1
9			Spring, Arm Lock	1	1
10			Pin, Locking	1	1
11			Armrest, Adjustable Height, Chrome	1	1
12			Spring, Torsion w/ Button Lock	1	1
13			Plug Button, Arm Tube, Black (3/4")	1	1
14			Rivet	1	6
15			Spring, Torsion with Button Lock	1	1
16			Handle, Quad Release	1	1
18			Plug Button, Arm Tube, Black (3/4")	1	1
20			Pad, Arm, Desk Length w/ Law Label	1	1
21			Package, Screw Phillips Pan Head (#10-32 x 1-1/8")	1	1
1	C	8881127472	Kit, Armrest, Full Length, Black - Right (Style 19)	1	1
2			Tube, Armrest, Full Length, Black	1	1
3			Plug Button, Black (7/8")	1	2
4			Plug Button, Black (5/8")	1	2
5			Anti-Rattle	1	2
6			Guard, Clothing	1	1
7			Rivet, Tubular	1	1
8			Handle, Lock, Black - Right	1	1
9			Spring, Arm Lock	1	1
10			Pin, Locking	1	1
11			Armrest, Adjustable Height, Black	1	1
12			Spring, Torsion w/ Button Lock	1	1
13			Plug Button, Arm Tube, Black (3/4")	1	1
14			Rivet	1	6
15			Spring, Torsion with Button Lock	1	1
16			Handle, Quad Release	1	1
18			Plug Button, Arm Tube, Black (3/4")	1	1

Arm Assembly - Conventional Adjustable Height

Item Number	Note	Part Number	Description	Quantity Per	
				Package	Assembly
20			Pad, Arm, Full Length w/ Law Label	1	1
21			Package, Screw Phillips Pan Head (#10-32 x 1-1/8")	1	1
1	C	8881127471	Kit, Armrest, Full Length, Black - Left (Style 19)	1	1
2			Tube, Armrest, Full Length, Black	1	1
3			Plug Button, Black (7/8")	1	2
4			Plug Button, Black (5/8")	1	2
5			Anti-Rattle	1	2
6			Guard, Clothing	1	1
7			Rivet, Tubular	1	1
8			Handle, Lock, Black - Left	1	1
9			Spring, Arm Lock	1	1
10			Pin, Locking	1	1
1			Armrest, Adjustable Height, Black	1	1
12			Spring, Torsion w/ Button Lock	1	1
13			Plug Button, Arm Tube, Black (3/4")	1	1
14			Rivet	1	6
15			Spring, Torsion with Button Lock	1	1
16			Handle, Quad Release	1	1
18			Plug Button, Arm Tube, Black (3/4")	1	1
20			Pad, Arm, Full Length w/ Law Label	1	1
21			Package, Screw Phillips Pan Head (#10-32 x 1-1/8")	1	1
1	B	8881127457	Kit, Armrest, Full Length, Chrome - Right (Style 19)	--	--
2			Tube, Arm, Full Length, Chrome	1	1
3			Plug Button, Black (7/8")	1	2
4			Plug Button, Black (5/8")	1	2
5			Anti-Rattle	1	2
6			Guard, Clothing	1	1
7			Rivet, Tubular	1	1
8			Handle, Lock, Black - Right	1	1
9			Spring, Arm Lock	1	1
10			Pin, Locking	1	1
11			Armrest, Adjustable Height, Chrome	1	1
12			Spring, Torsion w/ Button Lock	1	1
13			Plug Button, Arm Tube, Black (3/4")	1	1
14			Rivet	1	6
15			Spring, Torsion with Button Lock	1	1
16			Handle, Quad Release	1	1
18			Plug Button, Arm Tube, Black (3/4")	1	1
20			Pad, Arm, Full Length w/ Law Label	1	1
21			Package, Screw Phillips Pan Head (#10-32 x 1-1/8")	1	1
1	B	8881127456	Kit, Armrest, Full Length, Chrome - Left (Style 19)	--	--
2			Tube, Arm, Full Length, Chrome	1	1
3			Plug Button, Black (7/8")	1	2
4			Plug Button, Black (5/8")	1	2
5			Anti-Rattle	1	2

Arm Assembly - Conventional Adjustable Height

Item Number	Note	Part Number	Description	Quantity Per	
				Package	Assembly
6			Guard, Clothing	1	1
7			Rivet, Tubular	1	1
8			Handle, Lock, Black - Left	1	1
9			Spring, Arm Lock	1	1
10			Pin, Locking	1	1
11			Armrest, Adjustable Height, Chrome	1	1
12			Spring, Torsion w/ Button Lock	1	1
13			Plug Button, Arm Tube, Black (3/4")	1	1
14			Rivet	1	6
15			Spring, Torsion with Button Lock	1	1
16			Handle, Quad Release	1	1
18			Plug Button, Arm Tube, Black (3/4")	1	1
20			Pad, Arm, Full Length w/ Law Label	1	1
21			Package, Screw Phillips Pan Head (#10-32 x 1-1/8")	1	1
19	D	8881127509	Kit, Arm Pad w/Screws - Full Length	1	1
20			Pad, Arm, Full Length w/ Law Label	1	1
21			Package, Screw Phillips Pan Head (#10-32 x 1-1/8")	1	1
19	D	8881127510	Kit, Arm Pad w/Screws - Desk Length	1	1
20			Pad, Arm, Desk Length w/ Law Label	1	1
21			Package, Screw Phillips Pan Head (#10-32 x 1-1/8")	1	1
22	E	1110058	Hardware Kit, Arm Flip Back (Pair)	1	1
23			Screw, Hex Head (1/4-20 x 1-3/8")	1	2
24			Spacer, Arm	1	2
25			Locknut (1/4-20)	1	2
26	F	1110100	Kit, Rear Socket Non-Flip Back Arm Hardware, Color (Pair)	1	1
27			Socket, Arm Cup - Color - Right	1	1
27			Socket, Arm Cup, Color - Left	1	1
28			Locknut (1/4-20)	1	2
20		1041061	Pad, Arm, Upper/Lower, Black Plastic, Full Length	1	1
20		1041062	Pad, Arm, Upper/Lower, Black Plastic, Desk Length	1	1
21		1044845	Package, Screw, Phillips Pan Head (#10-32 x 1-3/8")	2	1
15		1018225	Spring, Torsion with Button Lock	1	1
16		1015450	Handle, Quad Release	1	1
18		1110071	Plug Button, Arm Tube, Black (3/4")	1	1
	B,G	8881143046	Kit, Armrest, Full Length, Chrome - Right/Left (Style19) (Pair)	1	1
			Pad, Arm, Full Length w/ Law Label	1	1
			Package, Screw Phillips Pan Head (#10-32 x 1-1/8")	1	2
			NLA - Arm Tube Assembly w/ Plug Buttons, Full Length, Chrome - Right/Left	1	2
			Arm Base Assembly, Removable, Chrome - Right	1	1
			Arm Base Assembly, Removable, Chrome - Left	1	1
			Instruction Sheet	1	1

Arm Assembly - Conventional Adjustable Height

Item Number	Note	Part Number	Description	Quantity Per	
				Package	Assembly
	B,G	8881143047	Kit, Armrest, Desk Length, Chrome - Right/Left (Style 29) (Pair)	1	1
			Pad, Arm, Desk Length w/ Law Label	1	1
			Package, Screw Phillips Pan Head (#10-32 x 1-1/8")	1	2
			NLA - Arm Tube Assembly w/ Plug Buttons, Desk Length, Chrome - Right/Left	1	2
			Arm Base Assembly, Removable, Chrome - Right	1	1
			Arm Base Assembly, Removable, Chrome - Left	1	1
			Instruction Sheet	1	1
	G,H	7100053	Arm Lock Assembly, Black - Right	1	1
			Handle, Lock, Black - Right	1	1
			Rivet, Tubular	1	2
			Pin, Locking	1	2
			Spring, Arm Lock	1	2
	G,H	7100054	Arm Lock Assembly, Black - Left	1	1
			Handle, Lock, Black - Left	1	1
			Rivet, Tubular	1	2
			Pin, Locking	1	2
			Spring, Arm Lock	1	2
<p>NOTE: A - For Tracer SX5 Non-Reclining Chair with Flip-Back Arms. Includes items 2-14, 17, 20 and 21. Style 19 Full Length Arm must be ordered as a special. Use special Quote # C-130108083924 when ordering.</p> <p>B - For Tracer EX2. Includes items 2-16, 18, 20 and 21.</p> <p>C - For Tracer SX5 Recliner. Includes items 2-16, 18, 20 and 21. Style 29 Desk Length Arm must be ordered as a special. Use special Quote # C-130108083924 when ordering.</p> <p>D - Includes items 20 and 21.</p> <p>E - Includes items 23-25. For Tracer SX5.</p> <p>F - Includes items 27 and 28. For Tracer SX5 Recliner.</p> <p>G - Not Shown.</p> <p>H - Includes items 7-10.</p>					