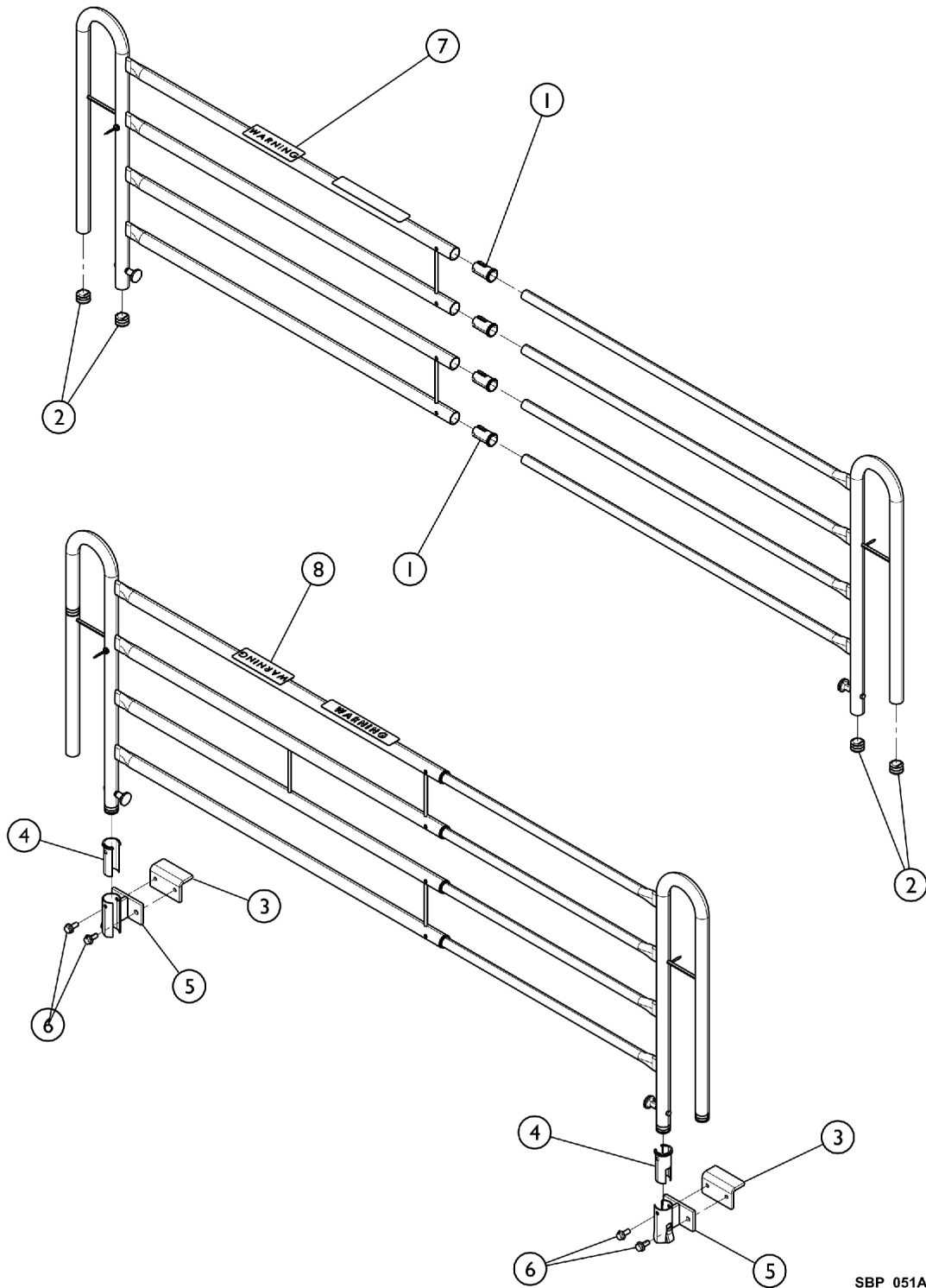


# Bed Rails - G29



SBP\_051A

## Bed Rails - G29

Item Number	Note	Part Number	Description	Quantity Per	
				Package	Assembly
1		1182384	Bushing, Anti-Rattle, Bedrail	1	8
2		1057287	Plug Button, Grey (1")	1	4
3		1182396	Bracket, Rail Mount	1	2
4		1182394	Bushing, Anti-Rattle, Bedrail	1	4
5		1182401	Mount, Rail, Head Right/Foot Left	1	2
5		1182402	Mount, Rail, Head Left/Foot Right	1	2
6		51000M885	Screw, Hex Flange (5/16-18 x 3/4")	1	8
7		1180201	Label, Warning, Patient Entrapment	1	2
8		1180194	Label, Warning, Bed Rail	1	2

Colors have changed from Brown to White