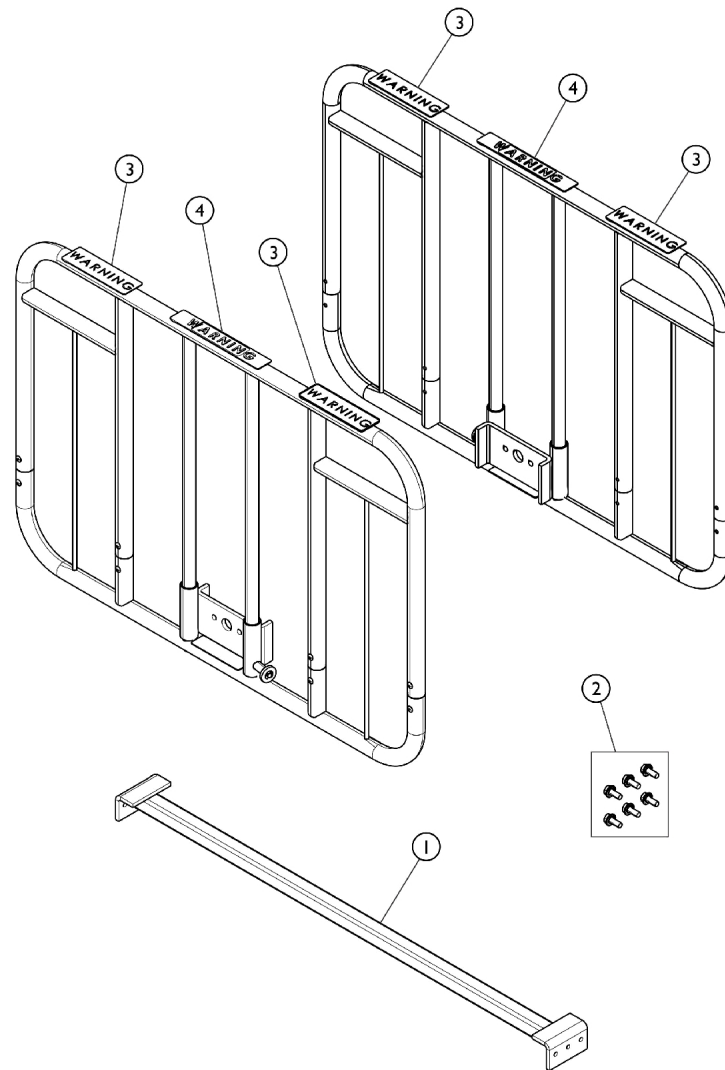


Bed Rails - G30



SBP_049A

Item Number	Note	Part Number	Description	Quantity Per	
				Package	Assembly
1		1182414	Crossbrace, Rail	1	2
2		51000M885	Screw, Hex Flange (5/16-18 x 3/4")	1	6
3		1180194	Label, Warning, Bed Rail	1	4
4		1180201	Label, Warning, Patient Entrapment	1	2