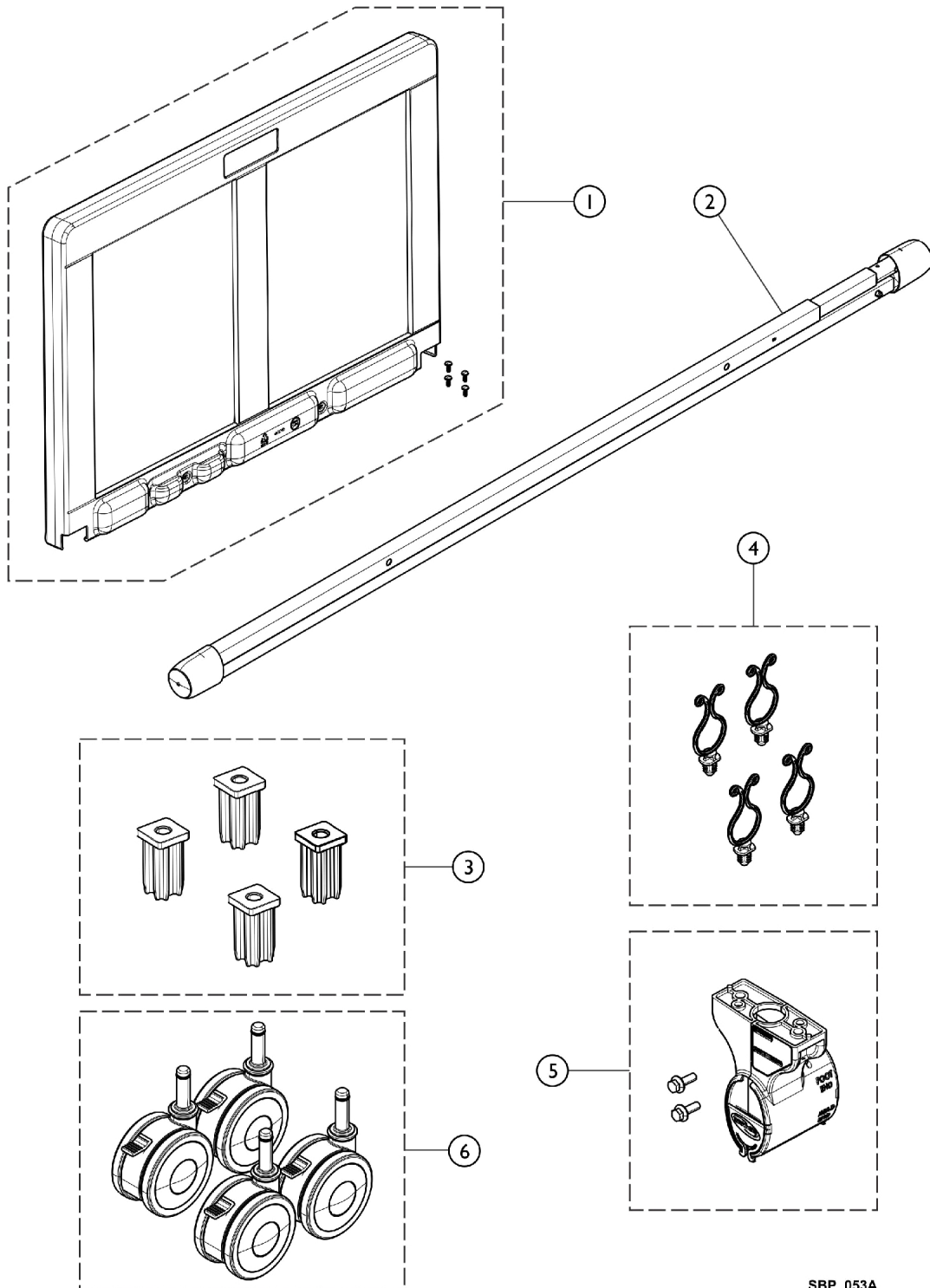


Bed Ends - G53



SBP_053A

Bed Ends - G53

Item Number	Note	Part Number	Description	Quantity Per	
				Package	Assembly
1		1182493	Kit, Bed End w/ Fasteners	1	1
2		1182470	Drive Shaft, Reinforced	1	1
3		1182496	Kit, Caster Socket	4	1
4		1182494	Package, Cable Clip	4	1
5		1182495	Kit, Gearbox w/ Hardware	1	1
6		1182421	Package, Locking Casters	4	1