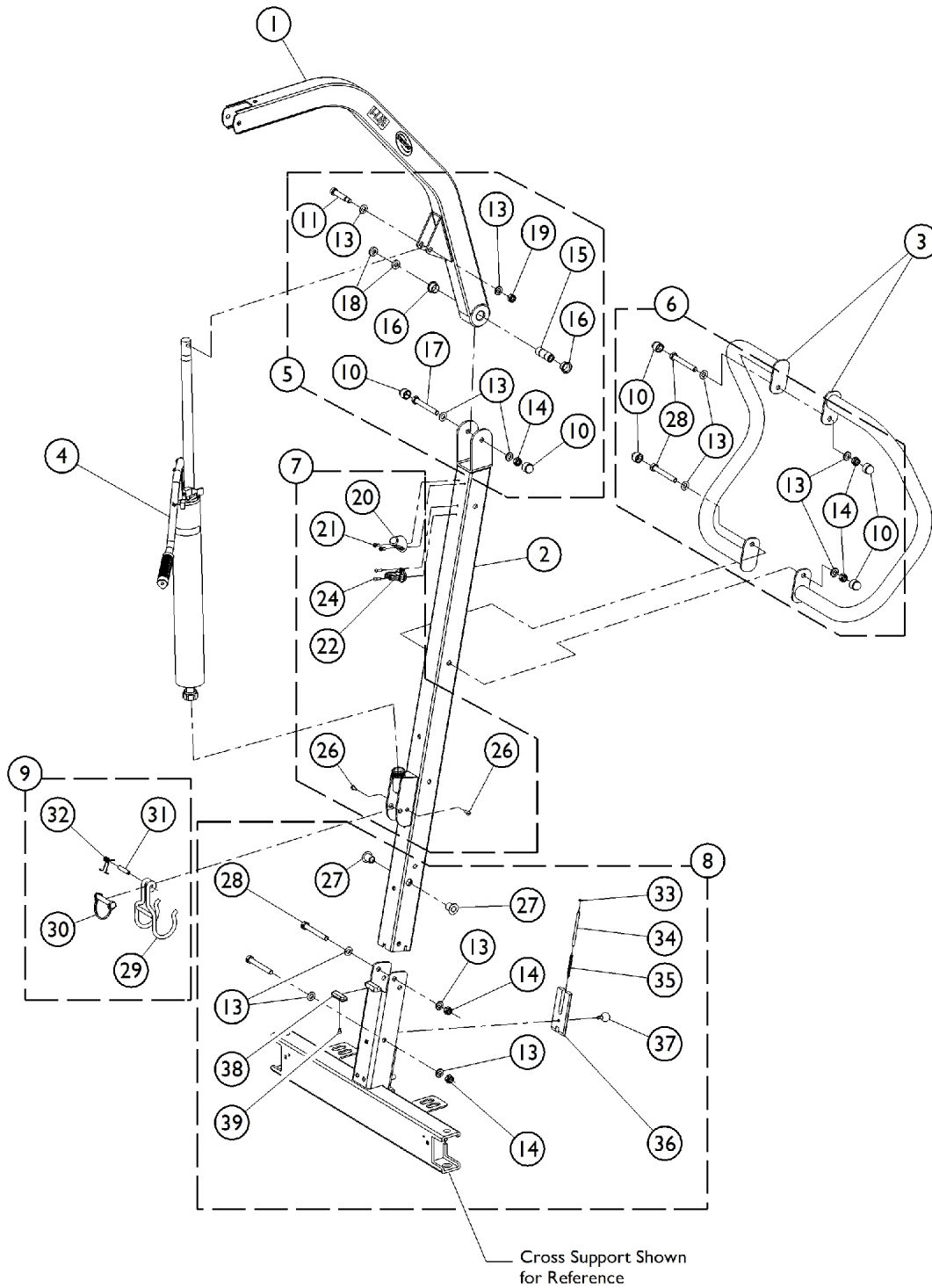


# Hydraulic Lift - Mast / Boom Assembly

NOTE: Items that are not shown in this category but are included in Kits in the Parts List are used on other I-Lift Applications. All fasteners must be torqued to IFI/DIN standards.



# Hydraulic Lift - Mast / Boom Assembly

**NOTE: Items that are not shown in this category but are included in Kits in the Parts List are used on other I-Lift Applications. All fasteners must be torqued to IFI/DIN standards.**

Item Number	Note	Part Number	Description	Quantity Per	
				Package	Assembly
1		1156153	Boom Assembly	1	1
2		1156241-NLA	NLA - Mast Assembly, Hydraulic	1	1
3		1156267-NLA	NLA - Push Handle	1	2
4		1175231-NLA	NLA - Pump, Hydraulic	1	1
5	A,C,D, E	1177610	NLA - Kit, Boom Mounting Hardware	1	1
10			Cap, End	1	4
11			Screw, Hex Head (M10 x 1.5 x 58mm)	1	1
12			Screw, Shoulder Hex Socket Head (3/8 x 1-1/2", 5/16-18)	1	1
13			Washer (10.5 x 20 x 2mm)	1	4
14			Locknut (M10 x 1.5mm)	1	2
15			Bushing (10 x 18 x 49mm)	1	1
16			Bearing, Teflon	1	2
17			Screw, Hex Head (M10 x 1.5 x 80mm)	1	1
18			Washer, Nylon (20 x 10.2 x 4.2mm)	1	2
19			Locknut (5/16-18)	1	1
23			Bushing (10 x 12 x 28mm)	1	1
6	F	1177611	Kit, Push Handle Mounting Hardware	1	1
10			Cap, End	1	4
13			Washer (10.5 x 20 x 2mm)	1	4
14			Locknut (M10 x 1.5mm)	1	2
28			Screw, Hex Head (M10 x 1.5 x 75mm)	1	2
7	B	1177612	NLA - Kit, Actuator Hardware, Mast	1	1
20			Protector, Mast	1	1
21			Screw, Socket Head Cap (M5 x .8 x 10mm)	1	2
22			Clip, Hydraulic	1	1
25			Clip, Actuator	1	1
24			Rivet (4 x 14mm)	1	2
26			Screw, Socket Button Head (M5 x .8 x 12mm)	1	2
8	G	1177614	Kit, Mast Connector Hardware	1	1
13			Washer (10.5 x 20 x 2mm)	1	4
14			Locknut (M10 x 1.5mm)	1	2
27			Bearing (16 x 10 x 25mm)	1	2
28			Screw, Hex Head (M10 x 1.5 x 75mm)	1	2
33			Washer (5.2 x 10 x 1mm)	1	1
34			Pin, Lock Plate (M5 x 80mm)	1	1
35			Spring (.5 x 5 x 50mm)	1	1
36			Plate, Lock	1	1
37			Ball (20mm) w/ Stud, Threaded (M6 x 1 x 13mm)	1	1
38			Rubber, Anti Scratch	1	1
39			Screw (M4 x 7mm)	1	1
9	H	1177615	Kit, Folding Hook	1	1
29			Hook, Folder	1	1
30			Pin, Locking shaft (10 x 50mm)	1	1

# Hydraulic Lift - Mast / Boom Assembly

**NOTE: Items that are not shown in this category but are included in Kits in the Parts List are used on other I-Lift Applications. All fasteners must be torqued to IFI/DIN standards.**

Item Number	Note	Part Number	Description	Quantity Per	
				Package	Assembly
31			Pin (8 x 36mm)	1	1
32			Spring, Hook	1	1
<p>NOTE: A - Includes items 10 - 19 and 23. Items 12 and 23 are not used on this Application and are not shown in the illustration.            B - Includes items 20 - 22 and 24 - 26. Item 25 is not used on this Application and is not shown in the illustration.            C - Hydraulic Lift requires only (2) of Item 10.            D - Hydraulic Lift requires only (2) of Item 14.            E - Hydraulic Lift requires only (2) of Item 17.            F - Includes items 10, 13, 14, and 28.            G - Includes items 13, 14, 27, 28, and 33 - 39.            H - Includes items 29 - 32.</p> <p>NOTE: Items that are not shown in this category but are included in Kits in the Parts List are used on other I-Lift Applications.</p>					