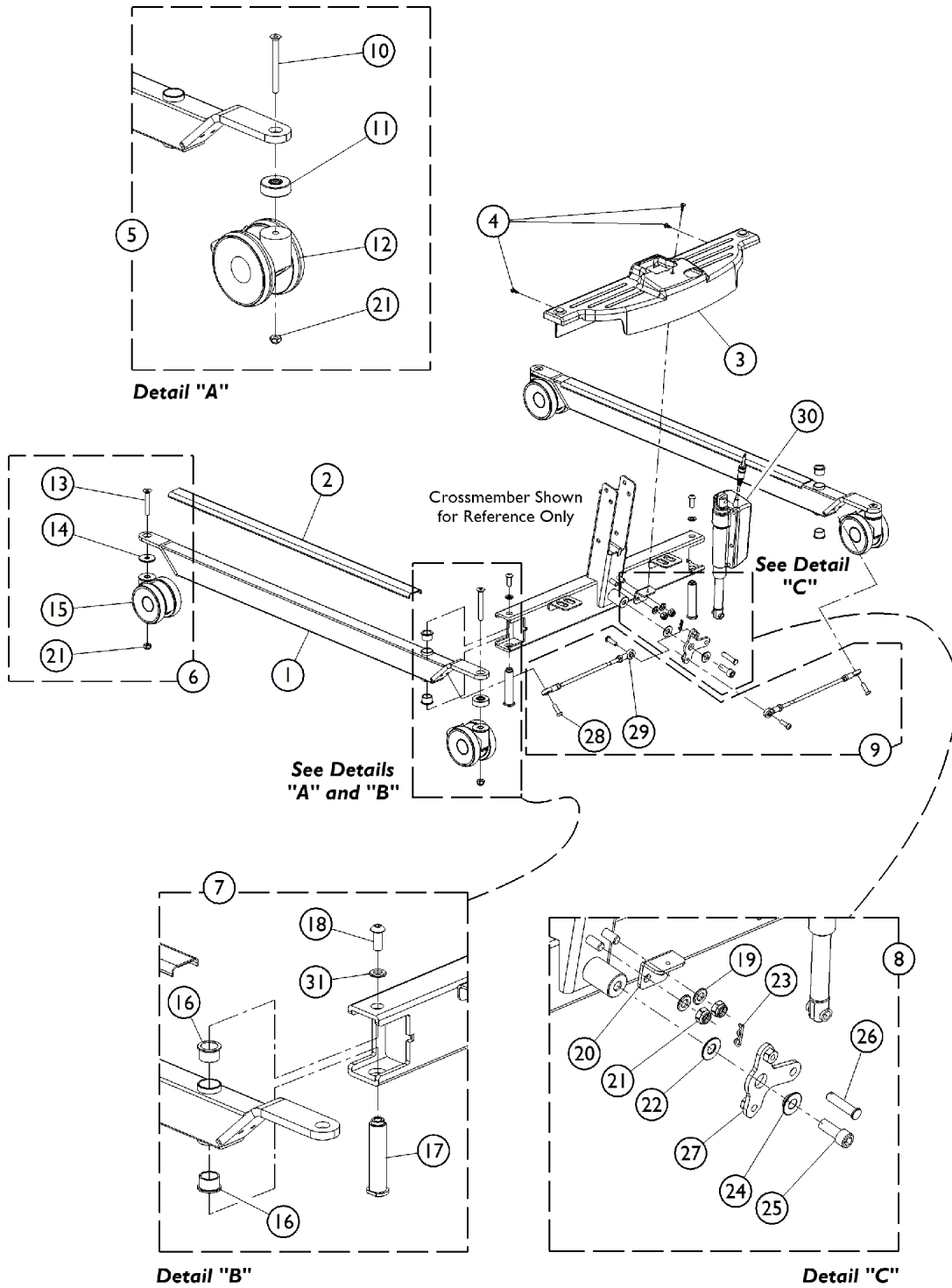


Electric Lift - Base

NOTE: All fasteners must be torqued to IFI/DIN standards.



Electric Lift - Base

NOTE: All fasteners must be torqued to IFI/DIN standards.

Item Number	Note	Part Number	Description	Quantity Per	
				Package	Assembly
1		1156139	Leg Assembly	1	2
2		1175245-NLA	NLA - Cover, Leg Protection	1	2
3		1156232-NLA	NLA - Shroud, Electric Base	1	1
4		1023632	Clip, Shroud	1	3
30		1175313	Actuator	1	1
5	A	1177622-NLA	NLA - Kit, Rear Caster w/ Hardware, Locking (Pair)	1	1
10			Screw, Socket, Countersunk Head (M10 x 1.5 x 85mm)	1	2
11			Spacer (41.3 x 10.2 x 15mm)	1	2
12			Caster, Rear Locking	1	2
21			Locknut (M10 x 1.5mm)	1	2
6	B	1177623-NLA	NLA - Kit, Front Caster w /Hardware (Pair)	1	1
13			Screw, Socket, Countersunk Head (M10 x 1.5 x 70mm)	1	2
14			Spacer (40 x 10.5 x 3mm)	1	2
15			Caster, Front	1	2
21			Locknut (M10 x 1.5mm)	1	2
7	C	1177624-NLA	NLA - Kit, Leg to Crossmember Mounting Hardware (Pair)	1	1
16			Bushing, Bronze	1	4
17			Bushing, Base and Leg	1	2
18			Screw, Socket Button Head, (M10 x 1.5 x 22mm)	1	2
31			Lock Washer, Split (M10)	1	2
8	D	1177625-NLA	NLA - Kit, Actuator Mounting Hardware	1	1
19			Washer (10.5 x 20 x 2mm)	1	2
20			Plate, Support, Electric Base	1	1
21			Locknut (M10 x 1.5mm)	1	2
22			Washer (28mm x 12mm x 2mm)	1	1
23			Pin, Hitch (3/8 x 1-3/16")	1	1
24			Bearing, Flange (12mm x 18mm x 7.6mm)	1	1
25			Screw, Socket Head (M12 x 1.75 x 30mm)	1	1
26			Pin, Clevis (10mm x 44mm)	1	1
27			Bracket, Linkage	1	1
9	E	1177629-NLA	NLA - Kit, Linkage (Pair)	1	1
28			Screw, Socket Button Head w/ Patch (M8 x 1.25 x 25mm)	1	4
29			Tie Rod Assembly	1	2

NOTE: A - Includes items 10-12 and 21.
 B - Includes items 13-15 and 21.
 C - Includes items 16-19.
 D - Includes items 19-27. Item #26 1142010 is now available from The Aftermarket Group (TAG) under part number TAG1142010.
 E - Includes items 28-29.