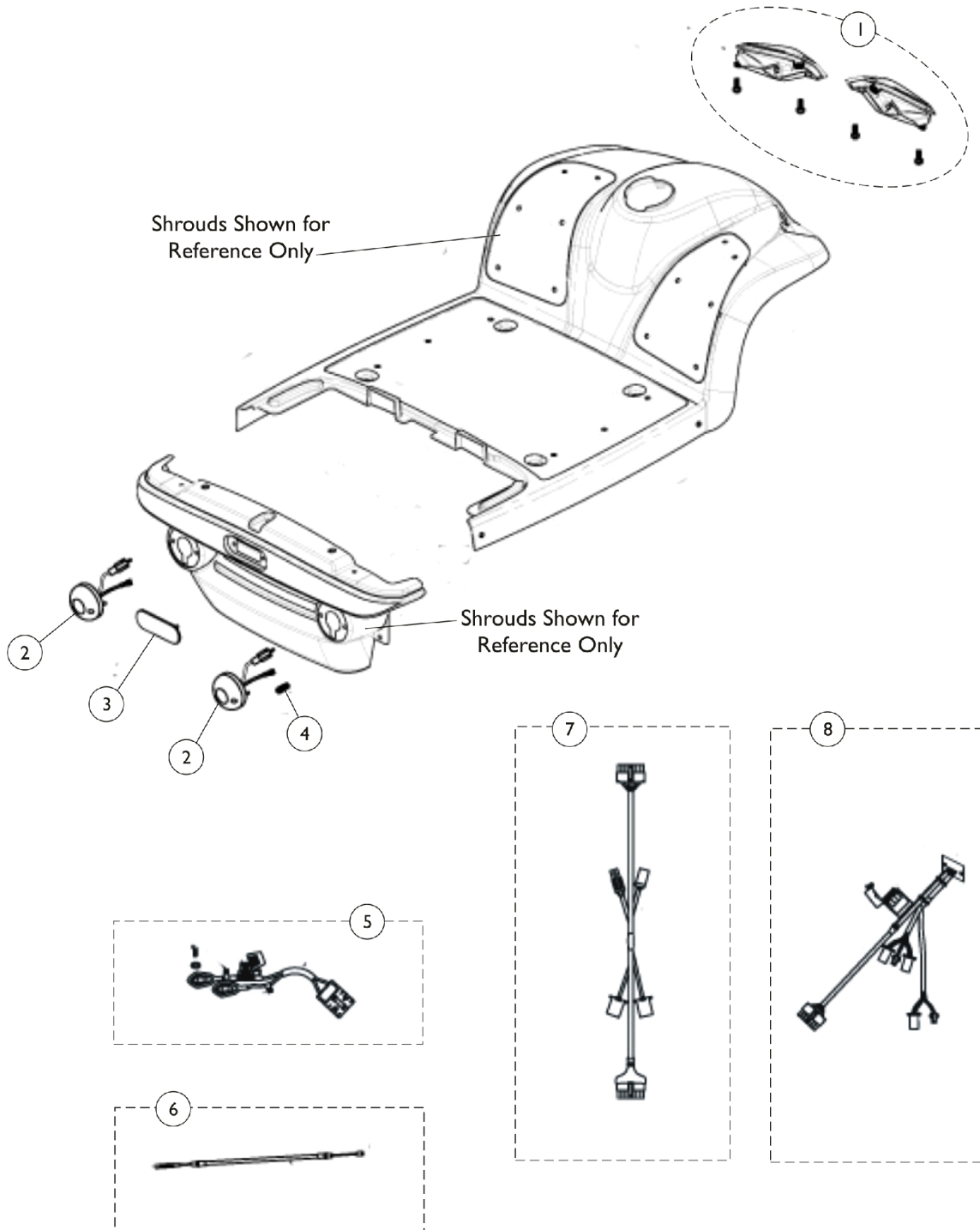


Electronics

Leo 3W, Leo 4W



Electronics

Leo 3W, Leo 4W

Item Number	Note	Part Number	Description	Quantity Per	
				Package	Assembly
1	B,A	1173794	Headlights, Front w/ Hardware (Pair)	2	1
1	C,A	1164845	Headlights, Front w/ Hardware (Pair)	2	1
2		1164838	Signal, Rear Turn (Pair)	2	1
3		1505528	Stoplight, Rear	1	1
4		1164839	Package, Rear Light Bulb	10	2
5		1164844	Harness, Battery	1	1
6		1505295	Cable	1	1
7		1505402	Harness, Wire, Front	1	1
8		1505516	Harness, Wire, Rear	1	1
	D,F	1148828	Controller R-Series (DR-90) w/ Hardware	1	1
	E,F	1553404	Controller, Rhino (90A)	1	1
	F	1144798	Cable, Charger	1	1
	F	1148830	Charger, Off-Board, 24 DC (5 AMP)	1	1
	F	1154157	Programmer, Hand Held (DX-HHP) for DR-50 Controller	1	1

NOTE: A - Includes (4) Screws.
 B - Used on Three Wheel Scooters.
 C - Used on Four Wheel Scooters.
 D - For Scooters manufactured prior to June 2011.
 E - For Scooters manufactured after June 2011.
 F - Not shown in illustration.