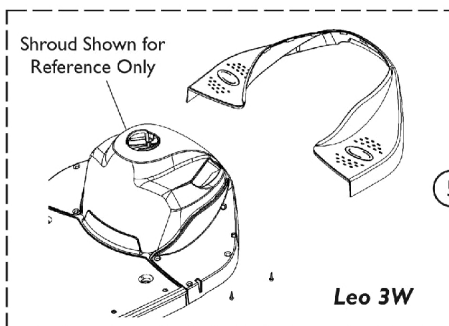
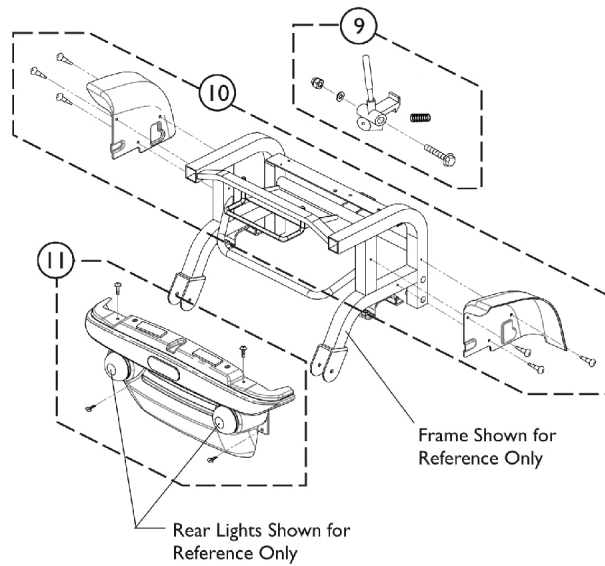
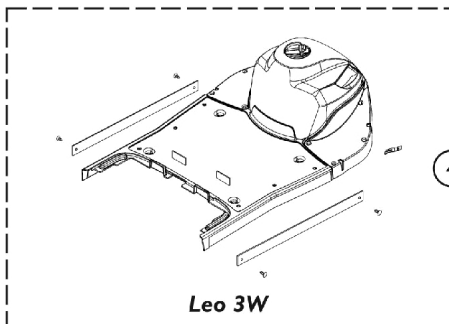
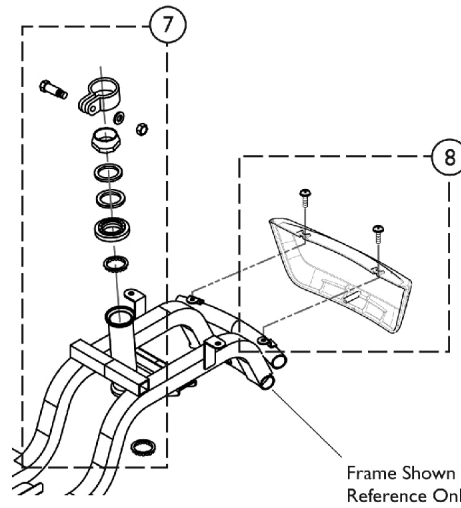
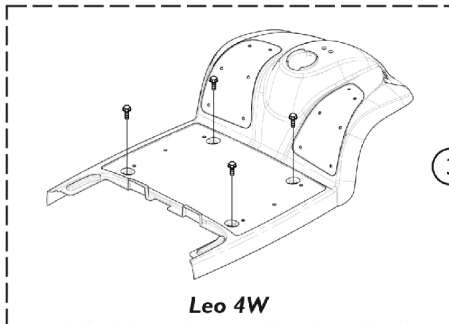
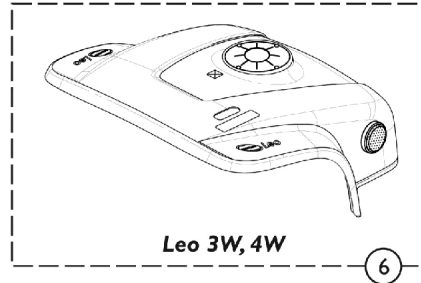
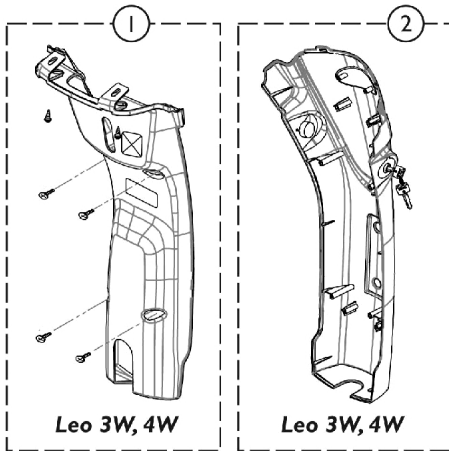


# Shrouds

## Leo 3W, Leo 4W

Due to design change, Invacare recommends replacing all Blue Shrouds with Onyx Blue Shrouds on scooters manufactured after serial number 10DCT000134 in order to maintain a unified appearance.



# Shrouds

## Leo 3W, Leo 4W

**Due to design change, Invacare recommends replacing all Blue Shrouds with Onyx Blue Shrouds on scooters manufactured after serial number 10DCT000134 in order to maintain a unified appearance.**

Item Number	Note	Part Number	Description	Quantity Per	
				Package	Assembly
1	K,A	1165103	Shroud, Tiller, Rear (Leo 3W, 4W)	1	1
2	F,K	1508500	Shroud, Tiller, Front, Onyx Blue	1	1
2	G,K	1148175	Shroud, Tiller, Front, Onyx Blue (Leo 3W, 4W)	1	1
2	K	1505858	Shroud, Tiller, Front, Moonstone Silver	1	1
3	F,M,B	1164842	Shroud, Main w/ Hardware, Blue (Leo 4W)	1	1
3	G,M	1148174	Shroud, Main w/ Hardware, Onyx Blue (Leo 4W)	1	1
3	M,B	1164843	Shroud, Main w/ Hardware, Silver (Leo 4W)	1	1
4	L	1547585	Shroud, Front, Onyx Blue (Leo 3W)	1	1
4	L	1547584	Shroud, Front, Silver (Leo 3W)	1	1
5	J,L	1547590	Cover, Front Bumper w/ Hardware (Leo 3W)	1	1
6	F,M	1165105	Shroud, Rear, Blue (Leo 3W, 4W)	1	1
6	G,L,M	1148173	Shroud, Rear, Onyx Blue (Leo 3W, 4W)	1	1
6	M	1165104	Shroud, Rear, Silver (Leo 3W, 4W)	1	1
7	K	1547591	Kit, Bearings, Tiller Column	1	1
8	E,M	1506187	Bumper, Front w/ Hardware (Leo 4W)	1	1
9	D,K	1506277	Release Lever Assembly w/ Hardware	1	1
10	K,A	1164836	Fender w/ Hardware - Right/Left	1	1
11	C,K	1506312	Bumper, Rear w/ Hardware	1	1

NOTE: A - Includes (6) screws.  
 B - Includes (4) bolts. Invacare recommends replacing mats and rivets when replacing a Main Shroud. See category titled, "Baskets, Floor Mats & Reflectors" to order.  
 C - Includes (4) screws.  
 D - Includes (1) bolt, washer, spring and nut cap.  
 E - Includes (2) bolts and (3) screws.  
 F - For scooters manufactured before serial number 10DCT000135. Four Wheel (4W) Scooters Only.  
 G - For scooters manufactured after serial number 10DCT000134. Three (3W) and Four (4W) Scooters.  
 J - Includes Bumper Cover and (8) Screws.  
 K - Used with the Three Wheel and Four Wheel Scooters.  
 L - Used with the Three Wheel Scooter.  
 M - Used with the Four Wheel Scooter.