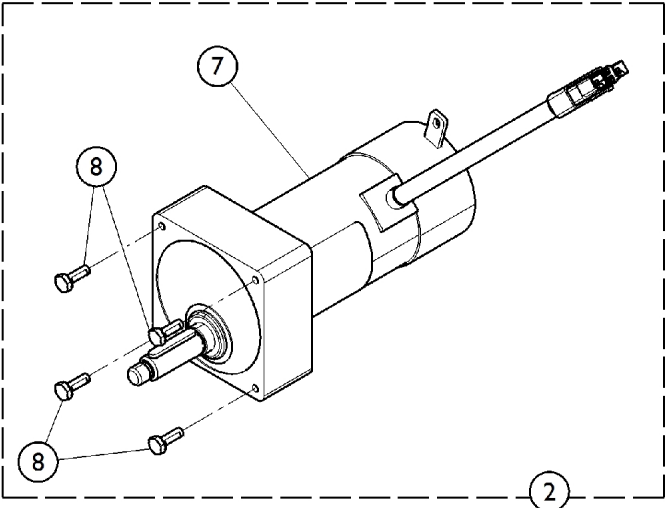
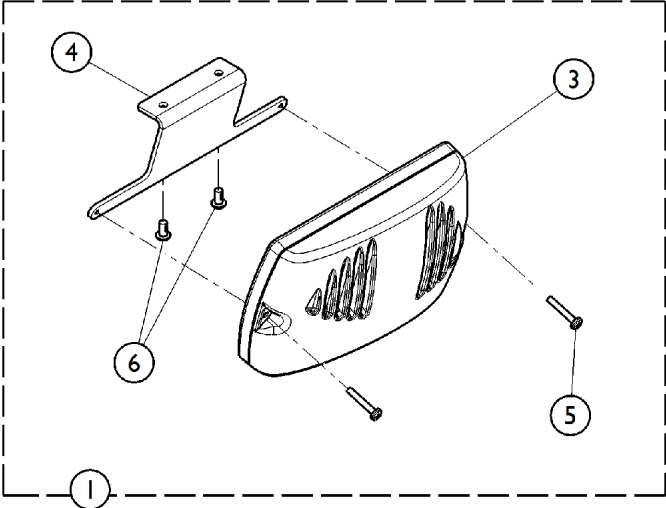


# Motor and Controller



## Motor and Controller

Item Number	Note	Part Number	Description	Quantity Per	
				Package	Assembly
1	A	1179402	Kit, Controller w/ Hardware	1	1
3			Controller, Programmed	1	1
4			Bracket, Controller	1	1
5			Screw, Phillips Pan Head (M4 x 0.7 x 25mm)	1	2
6			Screw, Button Head, Cap w/ Patch (M5 x .8 x 10mm)	1	2
			Service Manual, Controller	1	1
2	B	1182790-NLA	NLA - Kit, Motor - Right	1	1
7			Motor, Inline - Right	1	1
8			Screw, Hex Head Cap w/ Patch (1/4-20 x 3/4")	1	4
			Service Manual, Motor Kit	1	1
2	B	1182791-NLA	Kit, Motor - Left	1	1
7			Motor, Inline - Left	1	1
8			Screw, Hex Head Cap w/ Patch (1/4-20 x 3/4")	1	4
			Service Manual, Motor Kit	1	1

NOTE: A - Kit includes items 3 - 6.  
 B - Kit includes items 7 and 8.