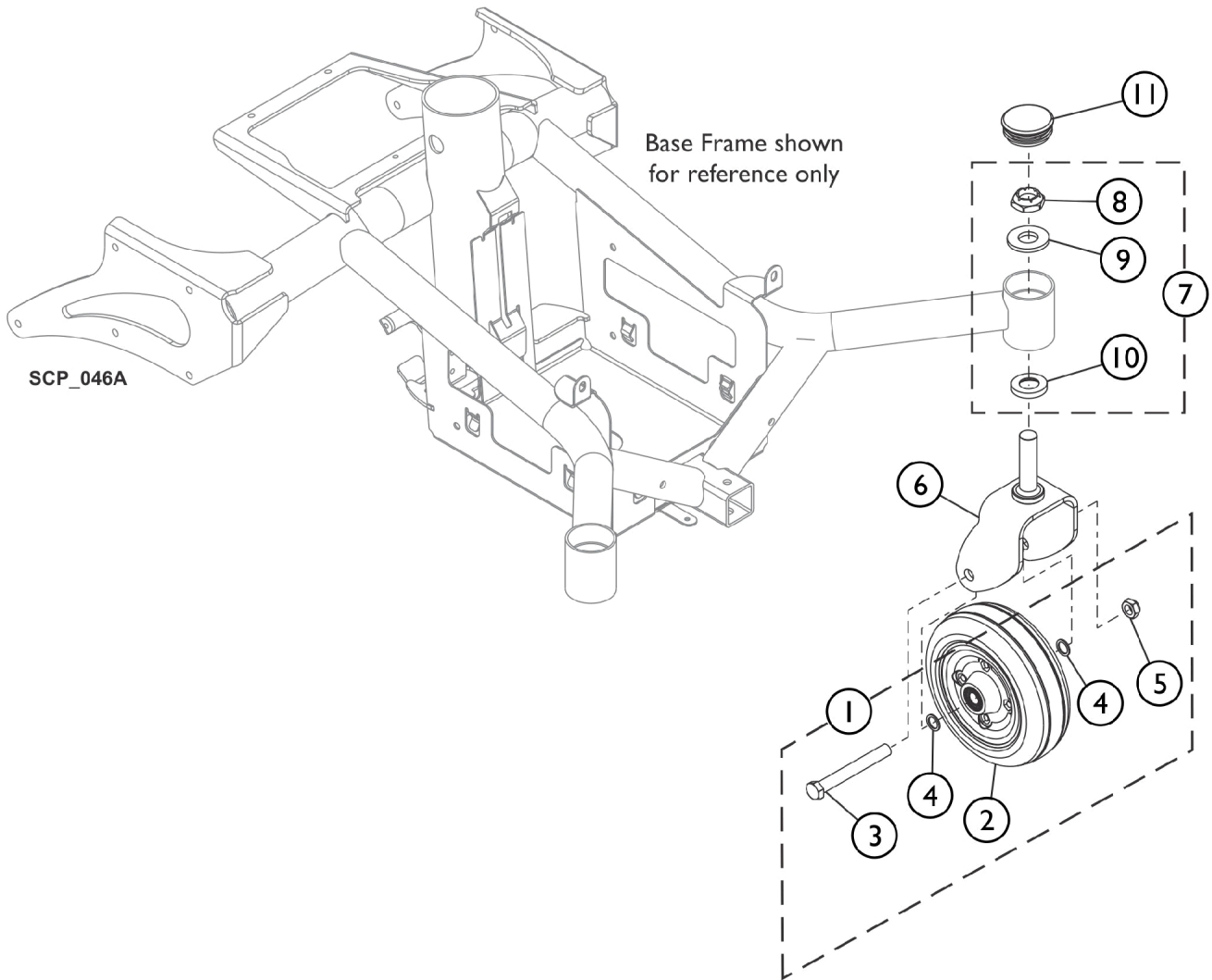


Front Caster and Fork Assembly



Front Caster and Fork Assembly

| Item Number | Note | Part Number | Description | Quantity Per | |
|---|------|-------------|--|--------------|----------|
| | | | | Package | Assembly |
| 1 | A | 1182789-NLA | NLA - Kit, Caster w/ Hardware (6") | 1 | 1 |
| 2 | | | Wheel Assembly, 7/16" Axle, Black (6") | 1 | 1 |
| 3 | | | Screw, Hex Head (7/16-20 x 3-1/4") | 1 | 1 |
| 4 | | | Washer, Steel (15/32 x 5/8 x 3/64") | 1 | 2 |
| 5 | | | Locknut (7/16-20) | 1 | 1 |
| 6 | B | 1174082 | Fork and Stem Assembly | 1 | 1 |
| 7 | | 1106226 | Kit, Fork Mounting Hardware | 1 | 1 |
| 8 | | 1028550 | Locknut (5/8-18) | 1 | 1 |
| 9 | | 1041444 | Washer, Nylon (5/8 x 1-5/16 x 1/8") | 1 | 1 |
| 10 | | 1106068 | Spacer, Stem (5/8 x 1-1/8 x 3/16") | 1 | 1 |
| 11 | | 1110709 | Cap, Head Tube, Black | 1 | 1 |
| NOTE: A - Includes item 2 - 5. B - Includes item 8 - 10. | | | | | |