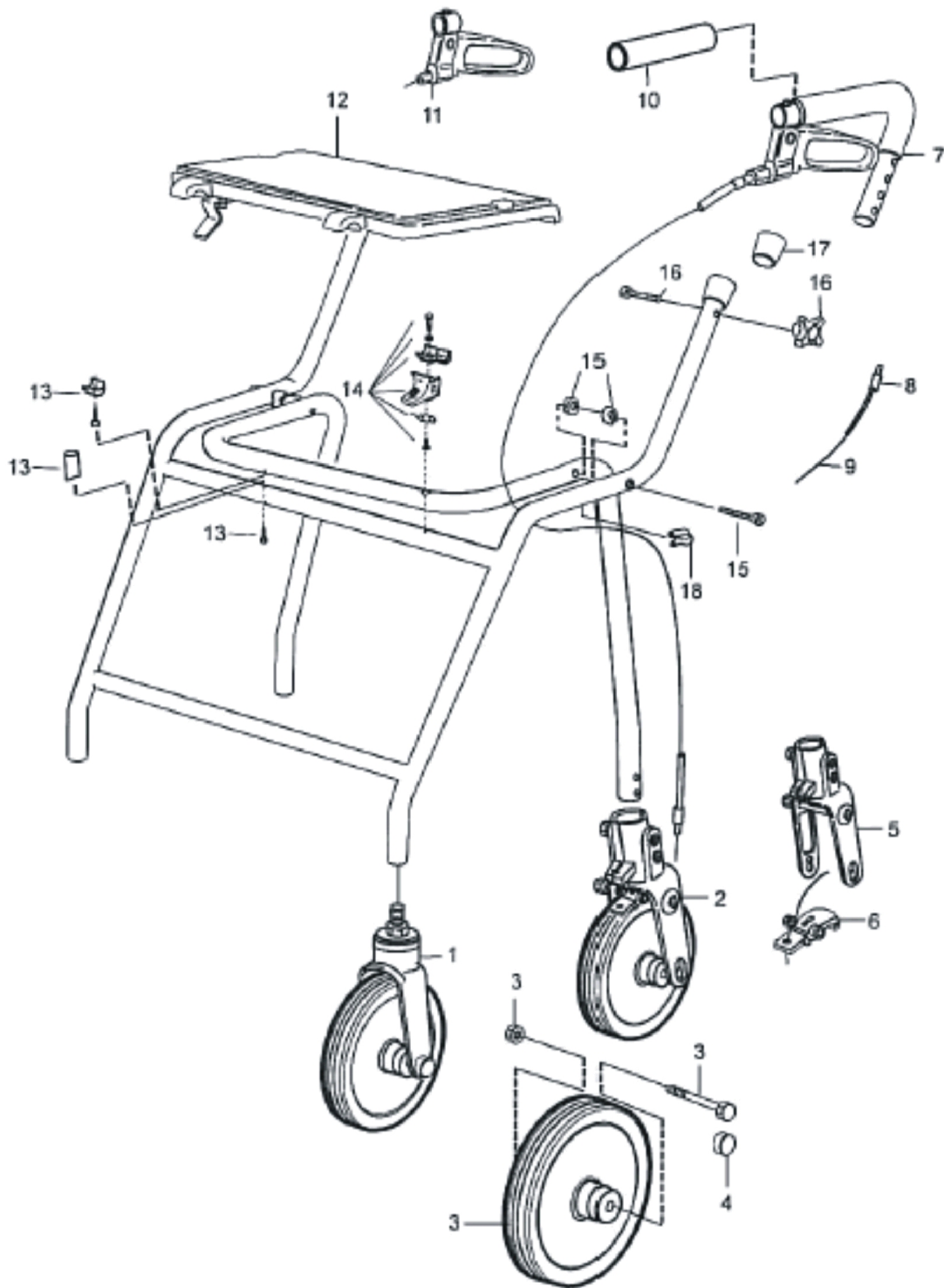


Legacy Lite Deluxe Rollator



Legacy Lite Deluxe Rollator

Item Number	Note	Part Number	Description	Quantity Per	
				Package	Assembly
1		1451969	SL III Wheel Complete in Front Fork (pcs)	1	2
2		1451970	SL III Wheel Complete in Plastic Rear Fork (pcs)	1	2
3		1451971	SL III Wheel Kit Complete (pcs)	1	2
4		70050-NLA	NLA - Cap, Black Plastic - Front Fork	1	2
5		13093	Fork, Plastic, Rear	1	2
6		12617	Brake Flap Assembly, DABS	1	2
7		13066	Handle Kit, DABS - Left (Including Grip and Wire)	1	1
7		13067	Handle Kit, DABS - Right (Including Grip and Wire)	1	1
8		80016	Cover, Wire - L=900mm (600, 520) (pcs)	1	2
		80067	Cover, Wire - L=740 mm (450) (pcs)	1	2
9		80060	Wire (1000mm)	1	2
10		12677	Grip, Soft (220mm) (Pair)	2	1
11		13464-L	Brake Handle Assembly - Left	1	1
		13464-R	Brake Handle Assembly - Right	1	1
12		1451975	Flip-Up Seat, Complete with Attachment Parts	1	1
13		1451976	Spacer, Crossbar	1	1
14		1451973	Kit, Folding	1	1
15		1451972	Kit, Folding Hinge	2	1
16		12665	Adjustment Knob and Screw (Pair)	2	1
17		70029	Cap, End	1	2
18		70043	Cable Holder (pcs)	1	2
		12510	Backrest with Screws and Attachment Pieces	1	1
		70105	Brackets, Straight	1	2