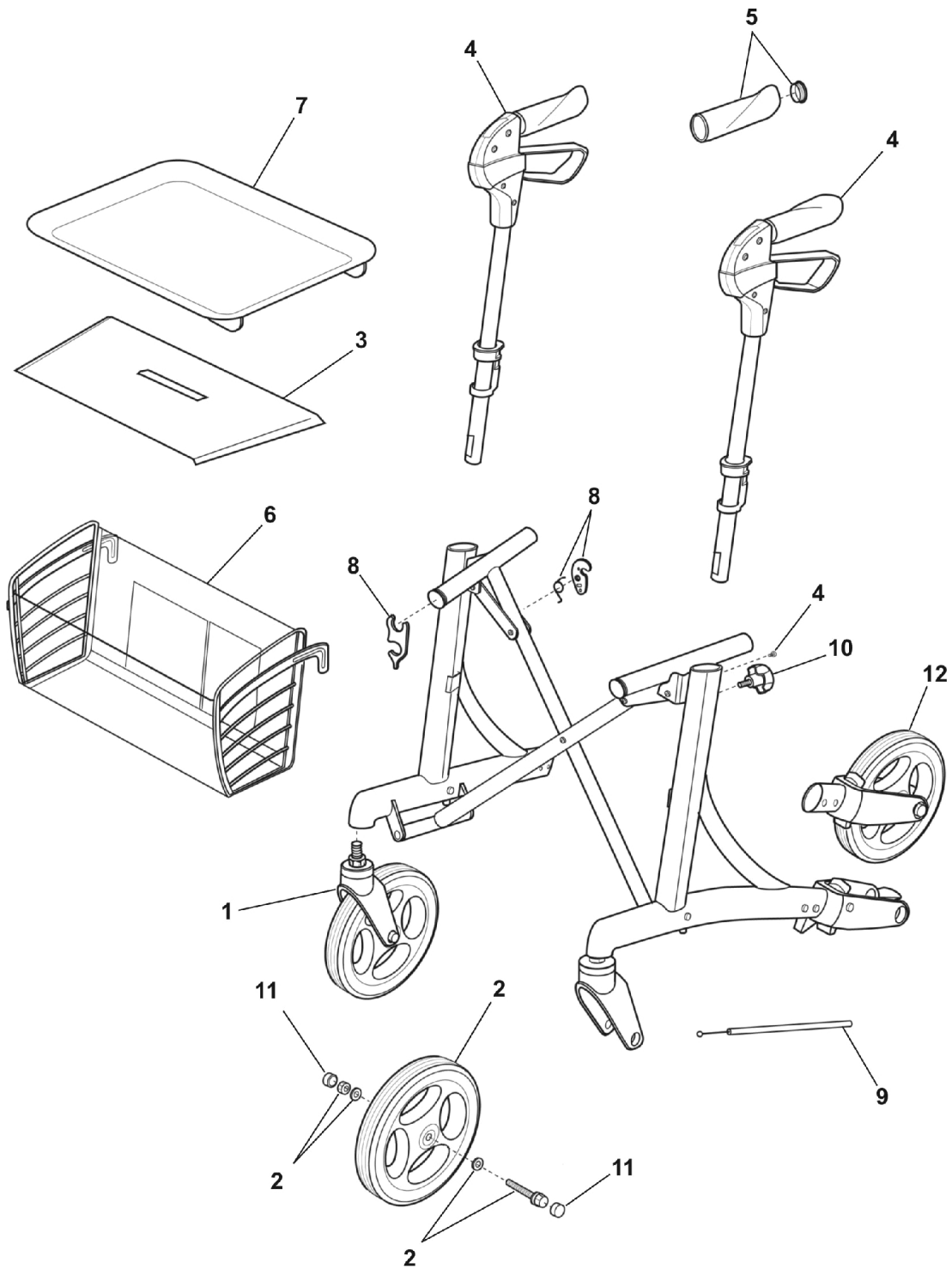


Jazz Rollator - Service Parts

(Before Serial No. 13CHX000681)



Jazz Rollator - Service Parts (Before Serial No. 13CHX000681)

Item Number	Note	Part Number	Description	Quantity Per	
				Package	Assembly
1		1452473	Front Fork Complete	1	1
2		1452443	Kit, Wheel	1	1
3		1452485	Seat, Jazz Rollator	1	1
4		1452482	Kit, Handle w/ Nut, Jazz 520 - Left	1	1
4		1452483	Kit, Handle w/ Nut, Jazz 520 - Right	1	1
4		1513083	Kit, Handle w/ Nut, Jazz 600 - Left	1	1
4		1513082	Kit, Handle w/ Nut, Jazz 600 - Right	1	1
5		1452484	Kit, Grip - Left/Right	1	1
6		1452336	Basket, Rollator	1	1
7		1452301-NLA	NLA - Tray, Rollator	1	1
8		1452481	Kit, Rollator Folding	1	1
9		1452479	Wire and Cover	1	1
10		1452480	Knob, Rollator (Pair)	1	1
11		1452282	Cap, Black, Plastic - Front Fork (20 pcs)	1	1
12		1513148	Rear Fork, Complete - Left	1	1
12		1518066	Rear Fork, Complete - Right	1	1