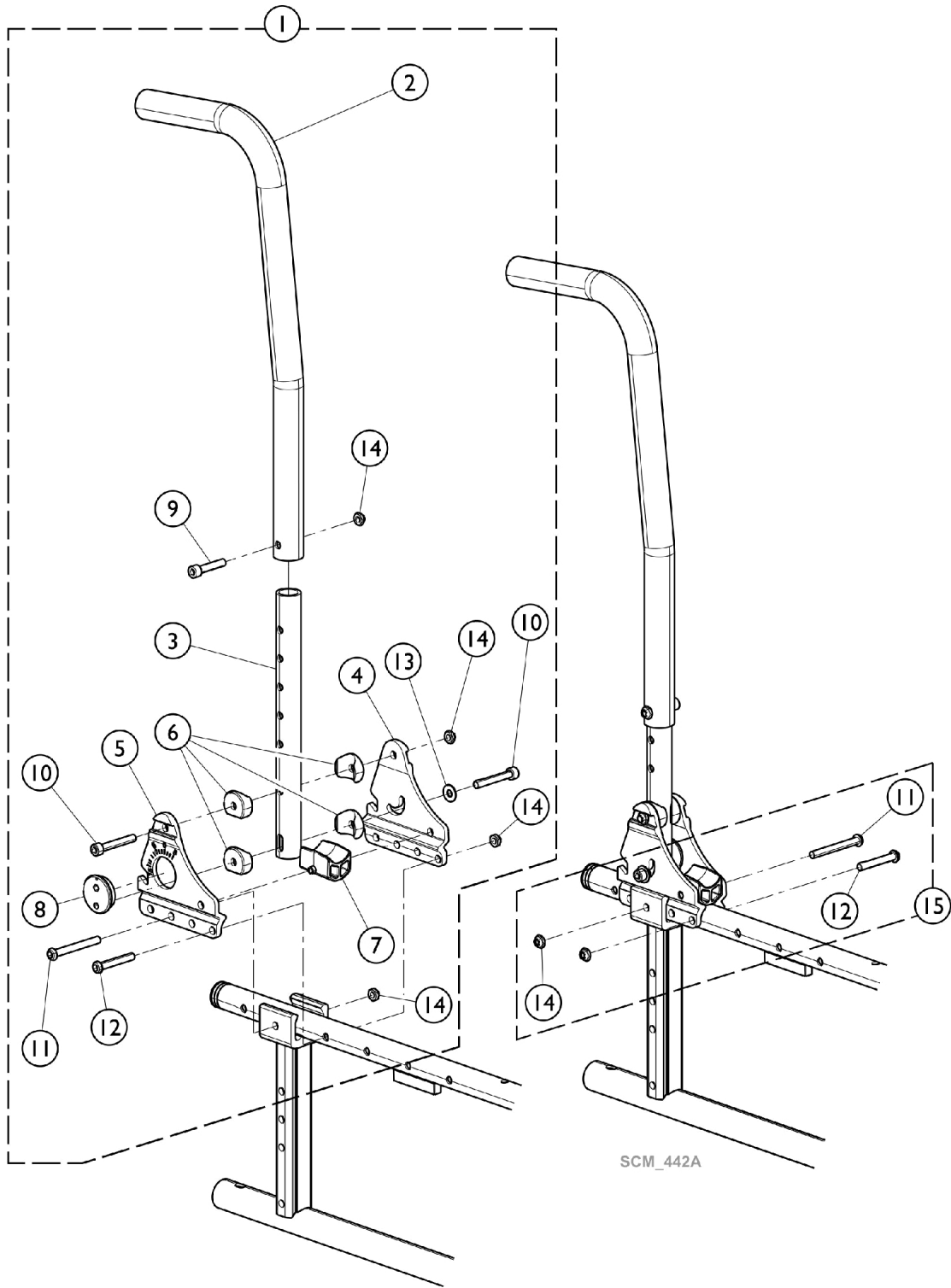


# Adjustable Angle Back (AABH - 8 Degree Bend)

For Back Brace and Indexable Lever, see category titled "Upholstery - Back Brace and Hardware" page.



## Adjustable Angle Back (AABH - 8 Degree Bend)

**For Back Brace and Indexable Lever, see category titled "Upholstery - Back Brace and Hardware" page.**

Item Number	Note	Part Number	Description	Quantity Per	
				Package	Assembly
1	A	1173001	Kit, Adjustable Angle Back Canes w/ Hardware, 8 Degree (12 - 16") (Pair)	1	1
2			Back Cane, Adjustable Height, 8 Degree (12 - 16" H)	1	2
3			Insert, Back Cane, Adjustable Height (14 - 18" H)	1	2
4			Plate, Adjustable Angle, Inner - Right	1	1
4			Plate, Adjustable Angle, Inner - Left	1	1
5			Plate, Adjustable Angle, Outer - Right	1	1
5			Plate, Adjustable Angle, Outer - Left	1	1
6			Spacer, Coved (1/4 x 1 x 13/32")	1	8
7			Support, Seat Tube, Rear	1	2
8			Backrest, Excenter	1	2
9			Screw, Socket Head Cap (M6 x 1 x 30mm)	1	2
10			NLA - Screw, Socket Head Cap (M6 x 1 x 40mm)	1	4
11			NLA - Screw, Socket Button Head (M6 x 40mm)	1	2
12			Screw, Socket Button Head (M6 x 53mm)	1	2
13			Washer (1/4 x 9/16 x 1/16")	1	2
14			NLA - Locknut (M6 x 1)	1	8
1	A	1169695	Kit, Adjustable Angle Back Canes w/ Hardware, 8 Degree (15 - 19") (Pair)	1	1
2			Back Cane, Adjustable Height, 8 Degree (15 - 19" H)	1	2
3			Insert, Back Cane, Adjustable Height (14 - 18" H)	1	2
4			Plate, Adjustable Angle, Inner - Right	1	1
4			Plate, Adjustable Angle, Inner - Left	1	1
5			Plate, Adjustable Angle, Outer - Right	1	1
5			Plate, Adjustable Angle, Outer - Left	1	1
6			Spacer, Coved (1/4 x 1 x 13/32")	1	8
7			Support, Seat Tube, Rear	1	2
8			Backrest, Excenter	1	2
9			Screw, Socket Head Cap (M6 x 1 x 30)	1	2
10			NLA - Screw, Socket Head Cap (M6 x 1 x 40mm)	1	4
11			NLA - Screw, Socket Button Head (M6 x 40mm)	1	2
12			Screw, Socket Button Head (M6 x 53mm)	1	2
13			Washer (1/4 x 9/16 x 1/16")	1	2
14			NLA - Locknut (M6 x 1)	1	8
15	B	1172976	Kit, Cane Bracket Attaching Hardware (Pair)	1	1
11			Screw, Socket Button Head (M6 x 53mm)	1	2
12			NLA - Screw, Socket Button Head (M6 x 40mm)	1	2
14			NLA - Locknut (M6 x 1)	1	4

NOTE: A - Kit includes items 2 - 14.  
B - Kit includes items 11, 12, and 14.