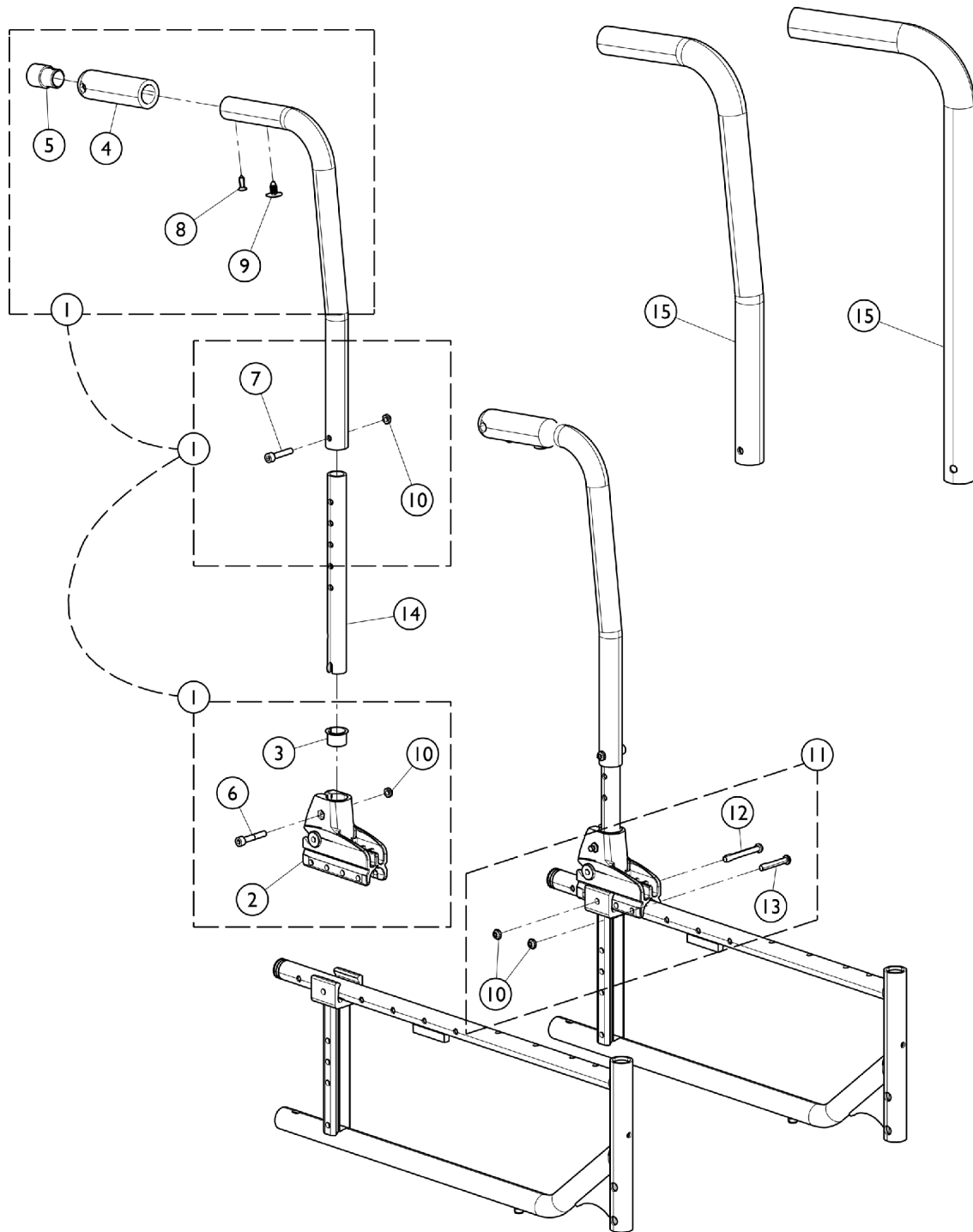


Adjustable Height w/ Push Handles (ABHPH)

For Back Brace and Indexable Lever, see category titled "Upholstery - Back Brace and Hardware" page.



Adjustable Height w/ Push Handles (ABHPH)

For Back Brace and Indexable Lever, see category titled "Upholstery - Back Brace and Hardware" page.

Item Number	Note	Part Number	Description	Quantity Per	
				Package	Assembly
1	A	1172972	Kit, Cane Hardware w/o Lumbar Support (Adjustable Height) (Pair)	1	1
2			Bracket, Cane, Rear	1	2
3			Bushing, Flanged	1	2
4			Grip, Hand, Foam (4")	1	2
5			Insert, Backbrace	1	2
6			Screw, Cap, Socket Head (M6 x 35mm)	1	2
7			Screw, Socket Head Cap (M6 x 1 x 30)	1	2
8			Screw, Phillips Pan Head (M4.8 X 16mm)	1	2
9			Panel Fastener, Snap In	1	2
10			NLA - Locknut (M6 x 1)	1	4
11	B	1172976	Kit, Cane Bracket Attaching Hardware (Pair)	1	1
10			NLA - Locknut (M6 x 1)	1	4
12			Screw, Socket Button Head (M6 x 53mm)	1	2
13			NLA - Screw, Socket Button Head (M6 x 40mm)	1	2
14		1169322	Insert, Back Cane, Adjustable Height	1	2
15		1172979	Back Cane, Adjustable Height, Straight (12 - 16" H)	1	2
15		1169323	Back Cane, Adjustable Height, Straight (15 - 19" H)	1	2
15		1172992	Back Cane, Adjustable Height, 8 Degree (12 - 16" H)	1	2
15		1169324	Back Cane, Adjustable Height, 8 Degree (15 - 19" H)	1	2

NOTE: A - Kit includes items 2 - 10.
B - Kit includes items 10, 12, and 13.

Back Canes - Adjustable Height w/ Push Handles (ABHPH)

Back Cane Style	Item #1 Hardware Part No.	Item #11 Cane Attaching Hardware Part No.	Item #15 Back Cane Part No.
ABH1216PH (8 Degree)	1172972	1172976	1172992
ABH1216PH (Straight)	1172972	1172976	1172979
ABH1519PH (8 Degree)	1172972	1172976	1169324
ABH1519PH (Straight)	1172972	1172976	1169323
ABH1620PH (8 Degree)	1172972	1172976	N/A
ABH1620PH (Straight)	1172972	1172976	1172981