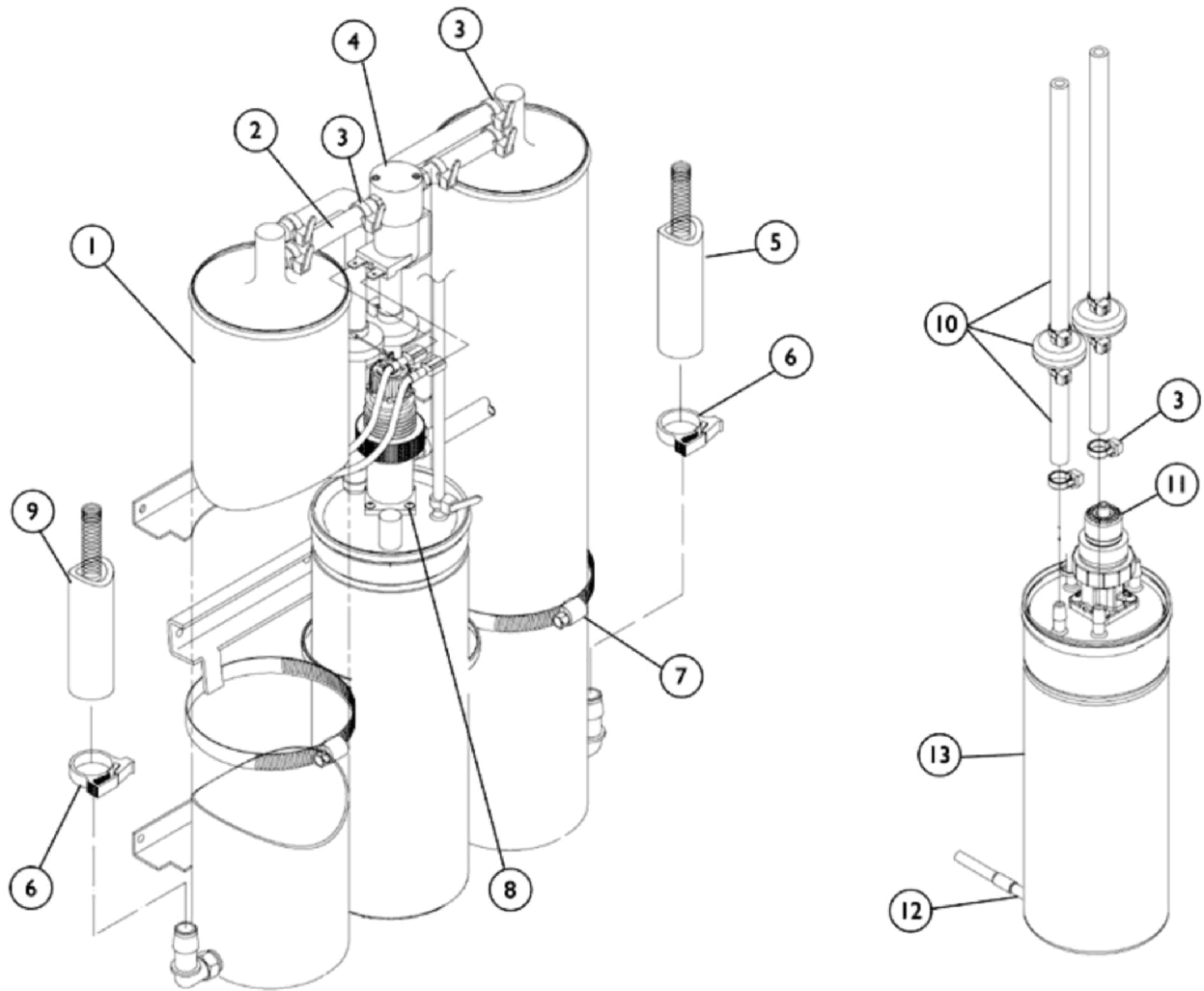


Sieve Beds and Product Tank

IRC5LXAW and IRC5LXO2AW



Sieve Beds and Product Tank IRC5LXAW and IRC5LXO2AW

Item Number	Note	Part Number	Description	Quantity Per	
				Package	Assembly
1	A,K	1101707	Sieve Bed Assembly (Pair)	1	1
2		1110774	Tubing, PVC (1/4 x 2-1/2")	1	2
3		2001682	Tie Wrap (8" L)	1	9
4		2001656	PE Valve Assembly w/ Fitting	1	1
5		1108783	Tubing, Braided (1/2 x 23")	1	1
6		2001652	Clamp, Plastic (1/2")	1	2
7		1002807	Clamp, Hose	1	3
8		1075666	Screw, Socket Button Head Cap, Regulator (8-32 x 3/8")	1	4
9		1108784	Tubing, Braided (1/2 x 20-1/4")	1	1
10	C	1104310	Kit, Check Valve	1	1
			Clamp, Hose	1	2
			Tie Wrap (3-29/32" L)	1	1
			Instruction Sheet	1	1
			Check Valve, Barb (5/16")	1	2
			Tie Wrap (8" L)	1	9
			Tube, Clear (1/4")	1	1
11	C,J	1182500	Kit, Regulator/Adaptor w/ Bled Adaptor, Foam Mount and Check Valve Assy.	1	1
			Kit, Regulator and Adaptor w/ Bled Regulator Mount, Foam Product Tank	1	1
			Check Valve Assembly (14-1/2")	1	1
			Tie Wrap (17-1/2" L)	1	1
			Tie Wrap (8" L)	1	2
			Instruction Sheet, Contents and Application	1	1
12	D,I	1116433	HomeFill Tubing Assembly	1	1
13	E,F,I	1116731-NLA	NLA - Product Tank Assembly - IRC5LX	1	1
13	E,G,I	1130681	Product Tank Assembly	1	1
14		1108809	Tubing, PVC (1/4 x 12-3/4")	1	1
15		1070050	Tie Wrap (3-29/32" L)	1	1

NOTE: A - Includes (2) Sieve Beds, (2) Clamps, (2) Hose Clamps and (4) Tie Wraps.
C - Dependent on Model.
D - Includes Fitting, Tubing, Restrictor and Filter.
E - Includes Product Tank, Cap with O-ring, Snap Ring and Regulator.
F - IRC5LXAW. Kit includes the Regulator, (4) Screws, (2) O-Rings
G - IRC5LXO2AW. Kit includes the Regulator, (4) Screws, (2) O-Rings
I - Due to design change the Homefill Tubing Assembly has changed from a 8-1/2" to a 18" Hose, with a removal of the fitting as well. The change is compatible with existing units.
J - Kit includes the Regulator, Adaptor, Tank Mount, Check Valve, Tie Wraps, and Instruction Sheet.
K - May contain reactivated sieve.