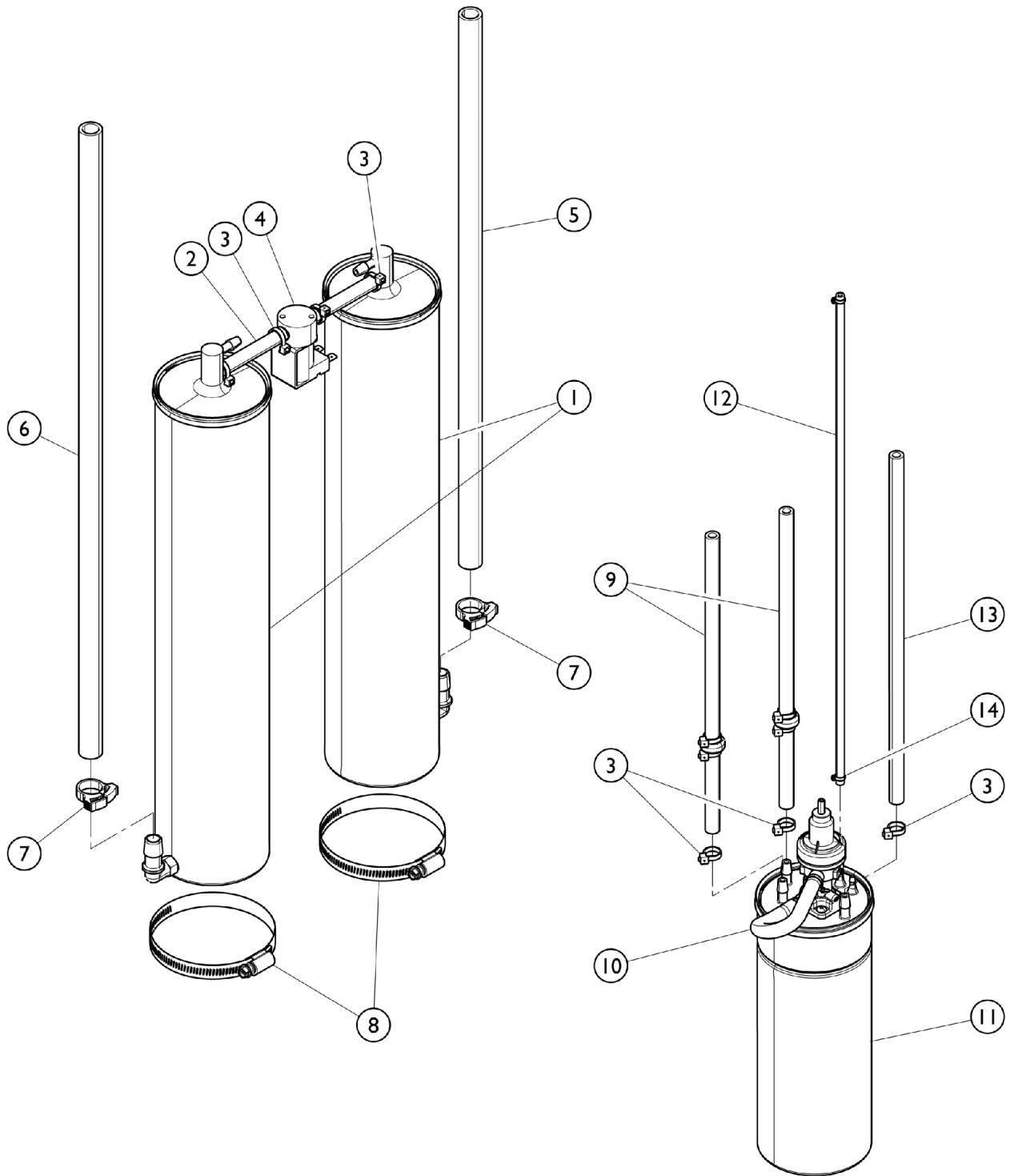


Sieve Bed Assembly and Product Tank Platinum 5 Models



Sieve Bed Assembly and Product Tank Platinum 5 Models

Item Number	Note	Part Number	Description	Quantity Per	
				Package	Assembly
1	A,Q	1101707	Sieve Bed Assembly (Pair)	2	1
2		1110774	Tubing, PVC (1/4 x 2-1/2")	1	2
3		2001682	Tie Wrap (8" L)	1	9
4		2001656	PE Valve Assembly w/ Fitting	1	1
5		1108783	Tubing, Braided (1/2 x 23")	1	1
6		1108784	Tubing, Braided (1/2 x 20-1/4")	1	1
7		2001652	Clamp, Plastic (1/2")	1	2
8		1002807	Clamp, Hose	1	2
9	B	1104310	Kit, Check Valve	1	1
			Clamp, Hose	1	2
			Tie Wrap (3-29/32" L)	1	1
			Instruction Sheet	1	1
			Check Valve, Barb (5/16")	1	2
			Tie Wrap (8" L)	1	9
			Tube, Clear (1/4")	1	1
10	L,O	1182123	Kit, Regulator and Adaptor, No-Bleed Regulator	1	1
			Regulator/Adaptor Assembly, No-Bleed Regulator	1	1
			Screw, Socket Button Head Cap, Regulator (8-32 x 3/8")	1	4
			NLA - O-Ring (11/64" I.D.)	1	2
10	N,P	1182500	Kit, Regulator/Adaptor w/ Bled Adaptor, Foam Mount and Check Valve Assy.	1	1
			Kit, Regulator and Adaptor w/ Bled Regulator	1	1
			Mount, Foam Product Tank	1	1
			Check Valve Assembly (14-1/2")	1	1
			Tie Wrap (17-1/2" L)	1	1
			Tie Wrap (8" L)	1	2
			Instruction Sheet, Contents and Application	1	1
			Adaptor, Regulator	1	1
			Regulator (5L)	1	1
			Restrictor (1/8" Barb)	1	1
			Tubing, Silicone (1/8")	1	1
			Tubing, PVC (1/4")	1	1
			Screw, Socket Button Head Cap, Regulator (8-32 x 3/8")	1	4
			NLA - O-Ring (11/64" I.D.)	1	2
			Tie Wrap (3-29/32" L)	1	4
11	E	1116731-NLA	NLA - Product Tank Assembly - IRC5LX	1	1
11	D,F,G	1075665-NLA	NLA - Product Tank Assembly - IRC5LX02	1	1
11	F	1130681	Product Tank Assembly	1	1
12	C	1106774-NLA	NLA - HomeFill Tubing Assembly	1	1
12	J	1116433	HomeFill Tubing Assembly	1	1
13		1108809	Tubing, PVC (1/4 x 12-3/4")	1	1
14		1070050	Tie Wrap (3-29/32" L)	1	1

Sieve Bed Assembly and Product Tank

Platinum 5 Models

NOTE: A - Includes (2) Sieve Beds, (2) Clamps, (2) Hose Clamps and (4) Tie Wraps.
B - Includes Check Valve, Tubing and Tie Wraps.
C - Includes Tubing and Fittings.
D - Includes Items 8 and 11.
E - Before 6/23/03.
F - After 6/22/03.
G - Individual item no longer available.
J - Due to design change the Homefill Tubing Assembly has changed from a 8-1/2" to a 18" Hose, with a removal of the fitting as well. The change is compatible with existing units.
L - Kit includes the Regulator, (4) Screws, (2) O-Rings
N - Kit includes Regulator, Adaptor, Tank Mount, Check Valve, Tie Wraps, and Instruction Sheet.
O - Used with IRC5LX.
P - Used with IRC5LXO2.
Q - May contain reactivated sieve.