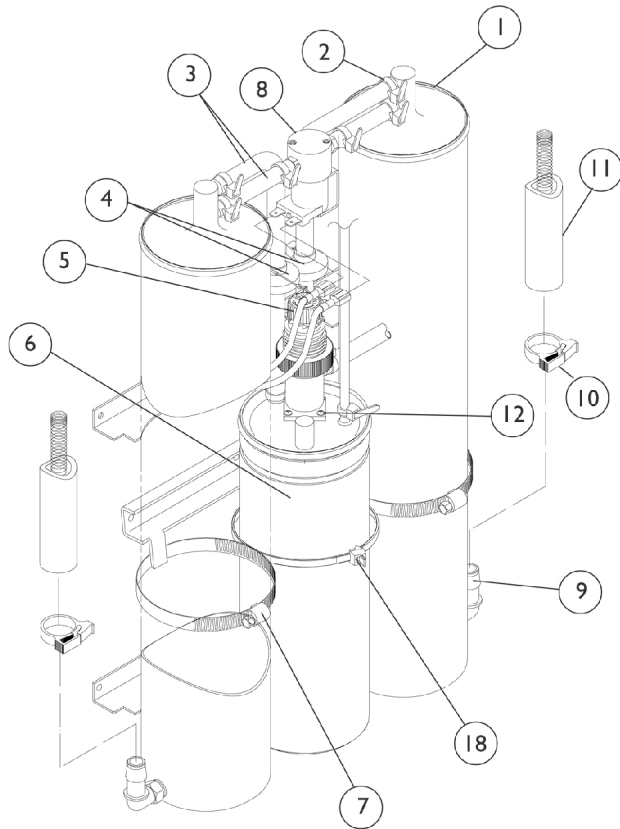


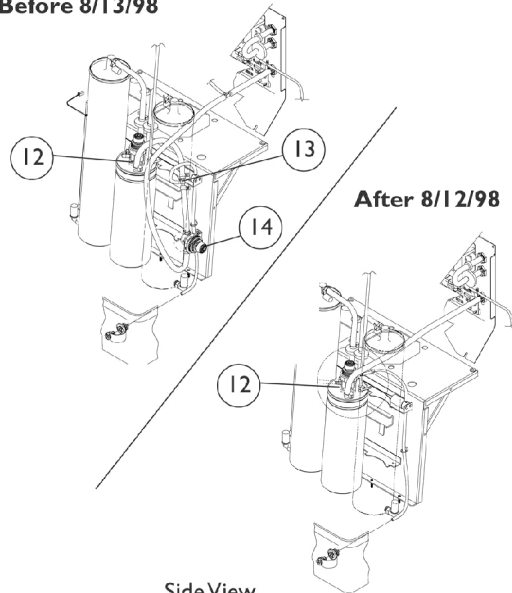
# Sieve Bed Assembly and Product Tank

## All Models Except Platinum 5

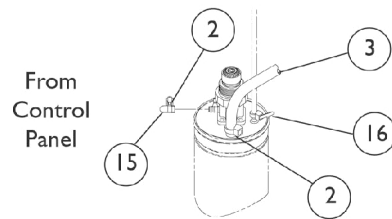
Models 5LX, 5LX02, 5LX02T  
6LX02, 6LX02T, 6LX02H



Before 8/13/98

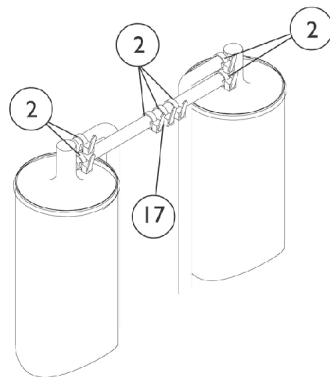


Side View  
Models 6LX02H 6LX02HT

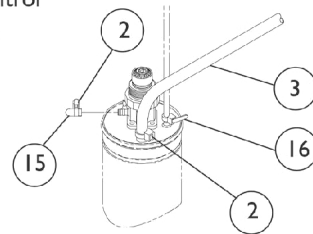


View of Product Tank  
Sens02 Units

Model 3LX



From Control Panel



View of Product Tank  
Standard 3LX, 5LX

# Sieve Bed Assembly and Product Tank

## All Models Except Platinum 5

Item Number	Note	Part Number	Description	Quantity Per	
				Package	Assembly
1	A,P	1101707	Sieve Bed Assembly (Pair)	2	1
2		2001682	Tie Wrap (8" L)	1	1
3		2000897	Tubing, Tygon (1/4 x 24")	1	1
4		1104310	Kit, Check Valve	1	1
			Clamp, Hose	1	2
			Tie Wrap (3-29/32" L)	1	1
			Instruction Sheet	1	1
			Check Valve, Barb (5/16")	1	2
			Tie Wrap (8" L)	1	9
			Tube, Clear (1/4")	1	1
5	L,N	1182123	Kit, Regulator and Adaptor, No-Bleed Regulator	1	1
			Regulator/Adaptor Assembly, No-Bleed Regulator	1	1
			Screw, Socket Button Head Cap, Regulator (8-32 x 3/8")	1	4
			NLA - O-Ring (11/64" I.D.)	1	2
5	D,G	1075498-NLA	NLA - Regulator	1	1
5	E,M,O	1182024		1	1
			Adaptor, Regulator	1	1
			Regulator (5L)	1	1
			Restrictor (1/8" Barb)	1	1
			Tubing, Silicone (1/8")	1	1
			Tubing, PVC (1/4")	1	1
			Screw, Socket Button Head Cap, Regulator (8-32 x 3/8")	1	4
			NLA - O-Ring (11/64" I.D.)	1	2
			Tie Wrap (3-29/32" L)	1	4
6	F,K	1082588-NLA	NLA - Product Tank Assembly - IRC5LX	1	1
6		1114925-NLA	NLA - Product Tank Assembly - IRC5LX	1	1
6	G,I	1075665-NLA	NLA - Product Tank Assembly - IRC5LX02	1	1
7		1002807	Clamp, Hose	1	2
8	H	2001656	PE Valve Assembly w/ Fitting	1	1
	B	1080972	Kit, PE Valve Stem and Poppet Replacement	1	1
			PE Valve Poppet and Stem	1	1
			Kit, PE Coil/Valve Instruction Sheet	1	1
	B	1080970	NLA - Kit, PE Coil Replacement	1	1
			Coil, PEI	1	1
			Kit, PE Coil/Valve Instruction Sheet	1	1
	B	1081208	Kit, PE Coil/Valve Instruction Sheet	1	1
9		2000492	Elbow, Barbed (1/2")	1	2
10		2001652	Clamp, Plastic (1/2")	1	2
11		2002264	Tubing, Reinforced Braided (1/2 x 26")	1	1
12	D	1070147-NLA	NLA - Screw, Phillips Pan Head (#4-24 x 1")	1	4
12	E	1075666	Screw, Socket Button Head Cap, Regulator (8-32 x 3/8")	1	4
13		2001321-NLA	NLA - T-Fitting	1	1
14		1075499-NLA	NLA - Regulator, Two Way	1	1

# Sieve Bed Assembly and Product Tank

## All Models Except Platinum 5

Item Number	Note	Part Number	Description	Quantity Per	
				Package	Assembly
15		1076916-NLA	NLA - Cap, End, Vinyl, Black	1	1
16		1070050	Tie Wrap (3-29/32" L)	1	2
17		2001951-NLA	NLA - Restrictor Assembly - IRC3LX	1	1
17	C	1078263-NLA	NLA - Restrictor Assembly (IRC5LX)	1	1
18		1089455	Tie Wrap (15-1/4" L)	1	4
	B,D	2002808-NLA	NLA - Plate, Adaptor	1	1
	B,J	2001673-NLA	NLA - Kit, Pressure Gauge Tap In with Gauge	1	1
			NLA - Fitting, Tee Barb (1/4")	1	1
			NLA - Plug, Hose (1/4")	1	1
			NLA - Clamp (1/4")	1	4
			NLA - Tubing, Silicone (1/4 x 16")	1	1
			NLA - Kit, Pressure Gauge	1	1
			Instruction Sheet	1	1
	B	2001671	NLA - Kit, Pressure Gauge Tap In without Gauge	1	1
			NLA - Fitting, Tee Barb (1/4")	1	1
			NLA - Plug, Hose (1/4")	1	1
			NLA - Clamp (1/4")	1	4
			NLA - Tubing, Silicone (1/4 x 16")	1	1
			Instruction Sheet	1	1
		2001674-NLA	NLA - Kit, Pressure Gauge	1	1

NOTE: A - Includes (2) Sieve Beds, (2) Clamps, (2) Hose Clamps and (4) Tie Wraps.  
 B - Not Shown.  
 C - Used on Serial Numbers: 99A655582, 99A655585, 99A655590, 99A655594, 99A655596, 99A65662, 99A65664, 99A65688, 99A65692, 99A65744, 99A65745, 99A65877, 99A65879, 99A65900.  
 D - Before 5/98.  
 E - After 4/98.  
 F - LX Models.  
 G - LX02 Models.  
 H - Includes Tubing, Tie Wraps, Barb Fitting and PE Valve.  
 I - Before 6/23/03.  
 J - Item no longer available. Please order part #2001671 and 2001674 as a replacement.  
 K - Item no longer available. Please order part #1114925 as a replacement.  
 L - Kit includes the Regulator, (4) Screws, (2) O-Rings  
 M - Kit includes Regulator, Adaptor, Restrictor, Screws, O-Rings, Tie Wraps, and Tubing.  
 N - Used with IRC5LX.  
 O - Used with IRC5LXO2.  
 P - May contain reactivated sieve.