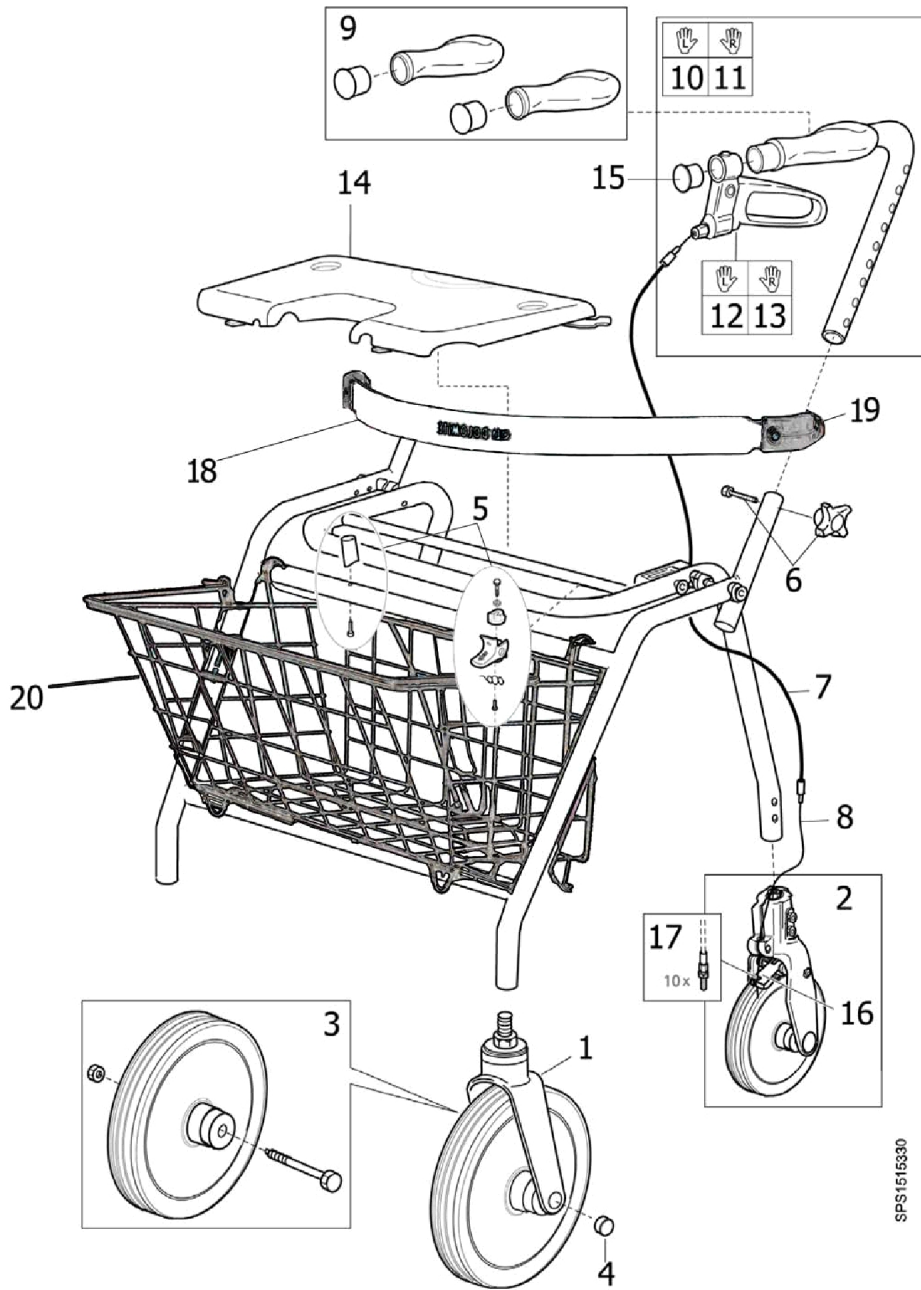


# Maxi+ Rollator



SPS1515330

## Maxi+ Rollator

Item Number	Note	Part Number	Description	Quantity Per	
				Package	Assembly
1	A	13565-25-V01	Wheel Assembly, Grey w/ Fork, SL II - Front	1	2
2		12590-25	Wheel Assembly with Fork, Grey, SL II - Rear	1	2
3		12609	Wheel with Hardware, Grey, SLII - Front	1	2
4		70050-NLA	NLA - Cap, Black Plastic - Front Fork	1	2
4		1452282	Cap, Black, Plastic - Front Fork (20 pcs)	20	1
5		1452464	Kit, Distance and Folding Lock (5 pcs)	5	1
6		1452458	Package, Knob and Screw, Height Adjustment (10 pcs)	10	1
7		80060	Wire (1000mm)	1	2
8		80094	Cover, Wire (820mm)	1	2
8		1531587	Package, Cover, Wire (820mm) (10 pcs)	10	1
9		12509	Grip Anatomic with Cover (Pair)	1	1
10		13238-L	Handle, Left Anatomic with Brake	1	1
11		13238-R	Handle, Right Anatomic with Brake	1	1
12		13464-L	Brake Handle Assembly - Left	1	1
13		13464-R	Brake Handle Assembly - Right	1	1
14		12721-M	Kit, Seat	1	1
15		1529860	Package, End Cap (20 pcs)	20	1
16		12620	Brake Flap Assembly, DABSII	1	2
17		1542524	Package, Screw, Adjustment w /Nut (10 pcs)	10	1
18	B	12510	Backrest with Screws and Attachment Pieces	1	1
19		70105	Brackets, Straight	1	2
20		12530-15	Basket, Standard / Low, max load 9 kg	1	1

NOTE: A - Includes Fork, Wheel with Bearing, Washer, Nuts, Bolt and Black Cap.  
 B - Includes (2) of part number 70105.