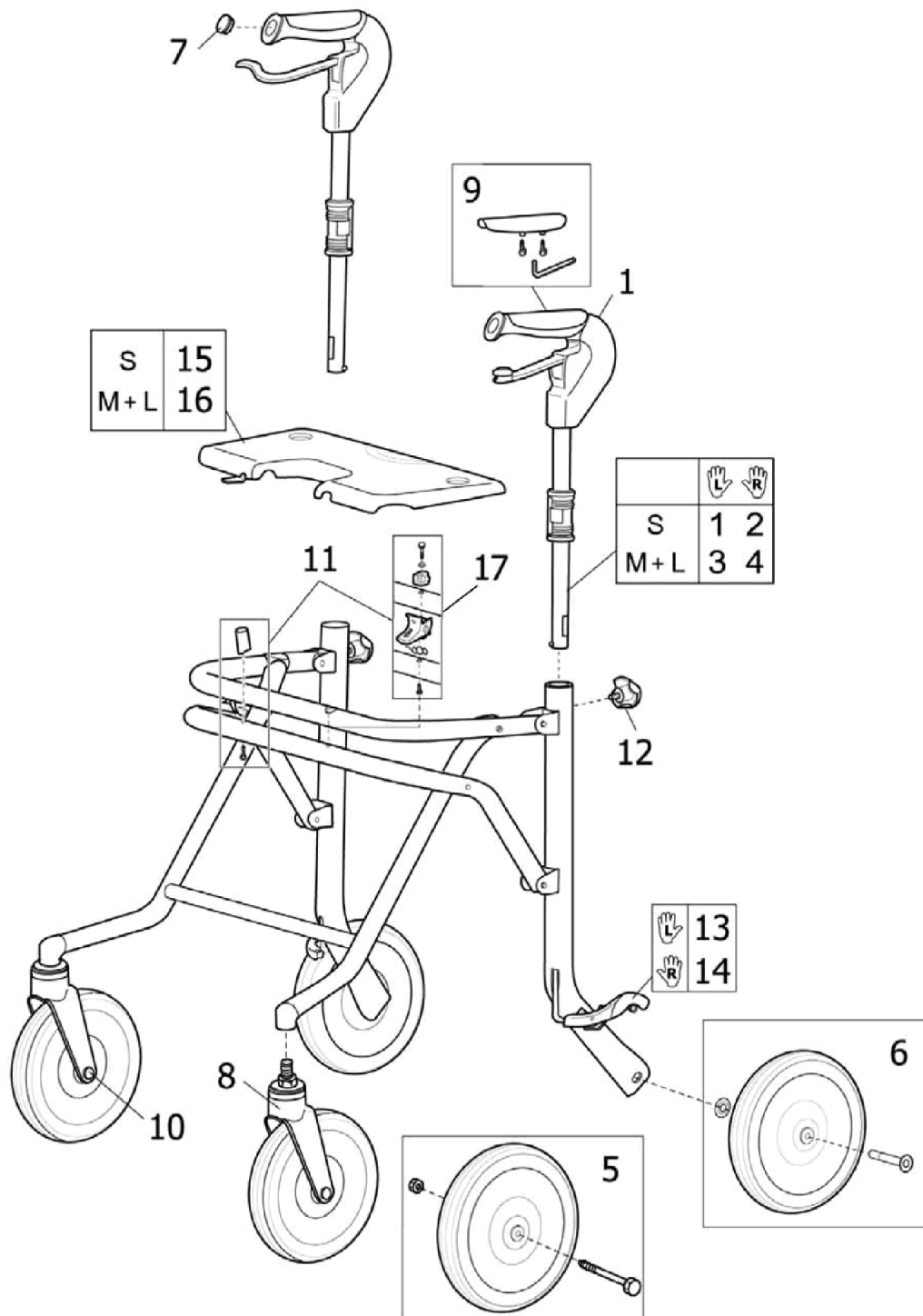


Melody Rollator



Melody Rollator

Item Number	Note	Part Number	Description	Quantity Per	
				Package	Assembly
1	A	12703-L	Brake Handle with Hardware, Small - Left	1	1
2	A	12703-R	Brake Handle with Hardware, Small - Right	1	1
3	A	12702-L	Brake Handle with Hardware, Medium, Large - Left	1	1
4	A	12702-R	Brake Handle with Hardware, Medium, Large - Right	1	1
5		12609	Wheel with Hardware, Grey, SLII - Front	1	2
6		12700	Wheel with Hardware, SLII - Rear	1	2
6		1510552	Wheel with Hardware, SLII - Rear	1	2
7		70073	Plug Button, Handle	1	2
8		13565-V01	Wheel Assembly w/ Fork, SL II - Front	1	2
9		12706	Grip Surface with Screw and Key	1	2
9		1452460	Package, Grip Surface with Screw and Key (10 pcs)	10	1
10		70050-NLA	NLA - Cap, Black Plastic - Front Fork	1	2
10		1452282	Cap, Black, Plastic - Front Fork (20 pcs)	10	1
11	B	1452464	Kit, Distance and Folding Lock (5 pcs)	5	1
12		1452462	Package, Adjustment Knob w/ Washer (10 pcs)	10	2
13		12705-L	Brake Stopper with Attachments - Left	1	1
14		12705-R	Brake Stopper with Attachments - Right	1	1
15		12713	Kit, Seat (S)	1	1
16		12712-NLA	NLA - Kit, Seat (L/M)	1	1
17		12707	Kit, Folding Lock	1	1
	C	12540	Basket, Standard / Low	1	1
	C	12542	Basket, Super Low	1	1

NOTE: A - Includes Handle Assembly, Adjustment Knob, Nut and Washer.
 B - Includes part number 12707.
 C - Not shown.