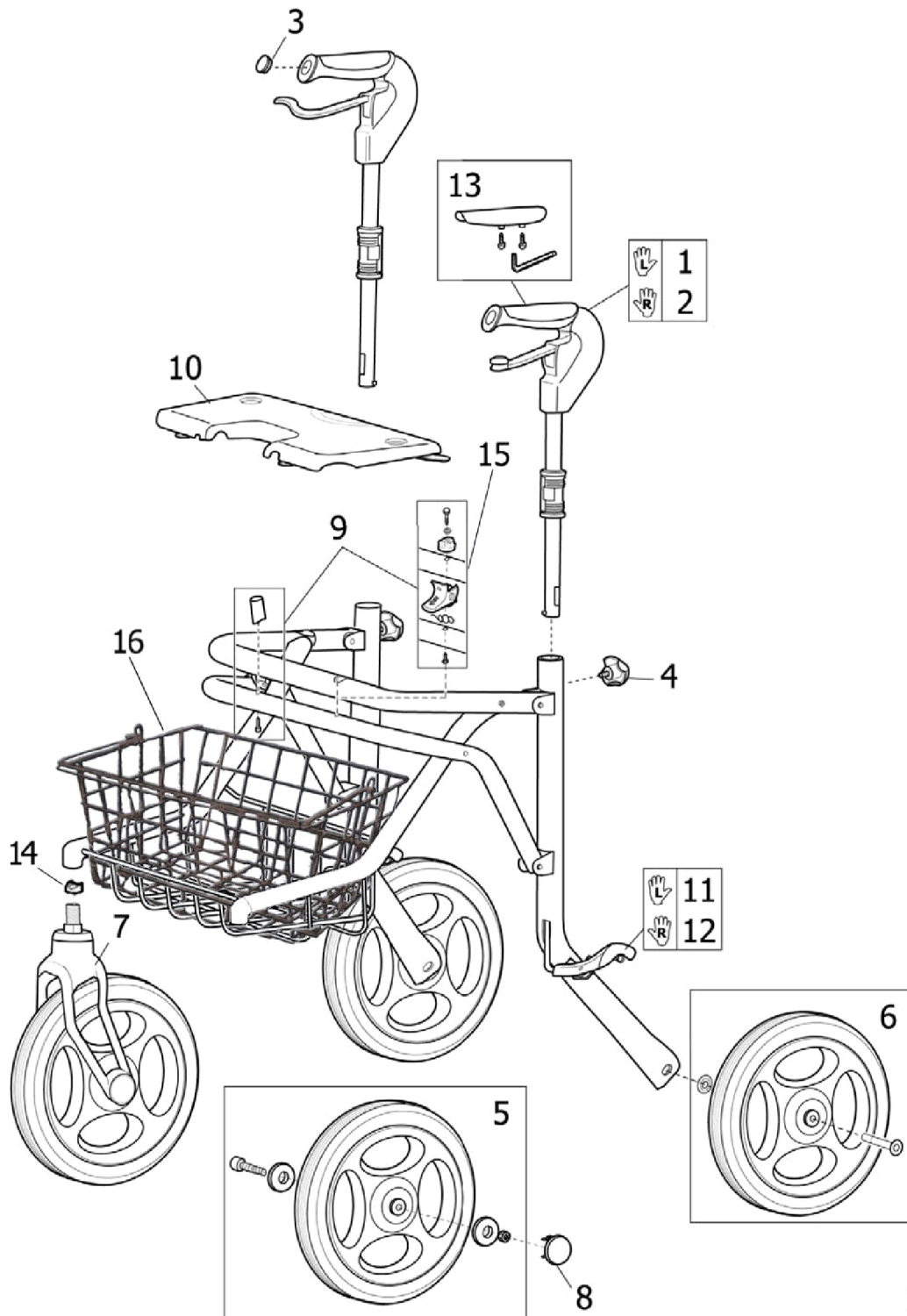


Soprano Rollator



SPS1515262

Soprano Rollator

Item Number	Note	Part Number	Description	Quantity Per	
				Package	Assembly
1	A	12702-R	Brake Handle with Hardware, Medium, Large - Right	1	1
2	A	12702-L	Brake Handle with Hardware, Medium, Large - Left	1	1
3		70073	Plug Button, Handle	1	2
4		1452462	Package, Adjustment Knob w/ Washer (10 pcs)	10	2
5		12717	Wheel Assembly with Hardware SLIV - Front (260mm)	1	2
6		1510546	Wheel Assembly with Hardware SLIV - Rear (260mm)	1	2
7		12719	Wheel Assembly with Fork (260mm) - Front	1	2
8		1452463	Package, Cover (20 pcs)	20	1
9	B	1452464	Kit, Distance and Folding Lock (5 pcs)	5	1
10		12721	Kit, Seat Assembly	1	1
11		12705-R	Brake Stopper with Attachments - Right	1	1
12		12705-L	Brake Stopper with Attachments - Left	1	1
13		1452460	Package, Grip Surface with Screw and Key (10 pcs)	10	1
13		12706	Grip Surface with Screw and Key	1	2
14		70172	Washer, Steel - Front Fork	1	2
15		12707	Kit, Folding Lock	1	1
16		12541D	Basket	1	1

NOTE: A - Includes Brake Handle, Adjustment Knob and Washer.
 B - Includes part number 12707.