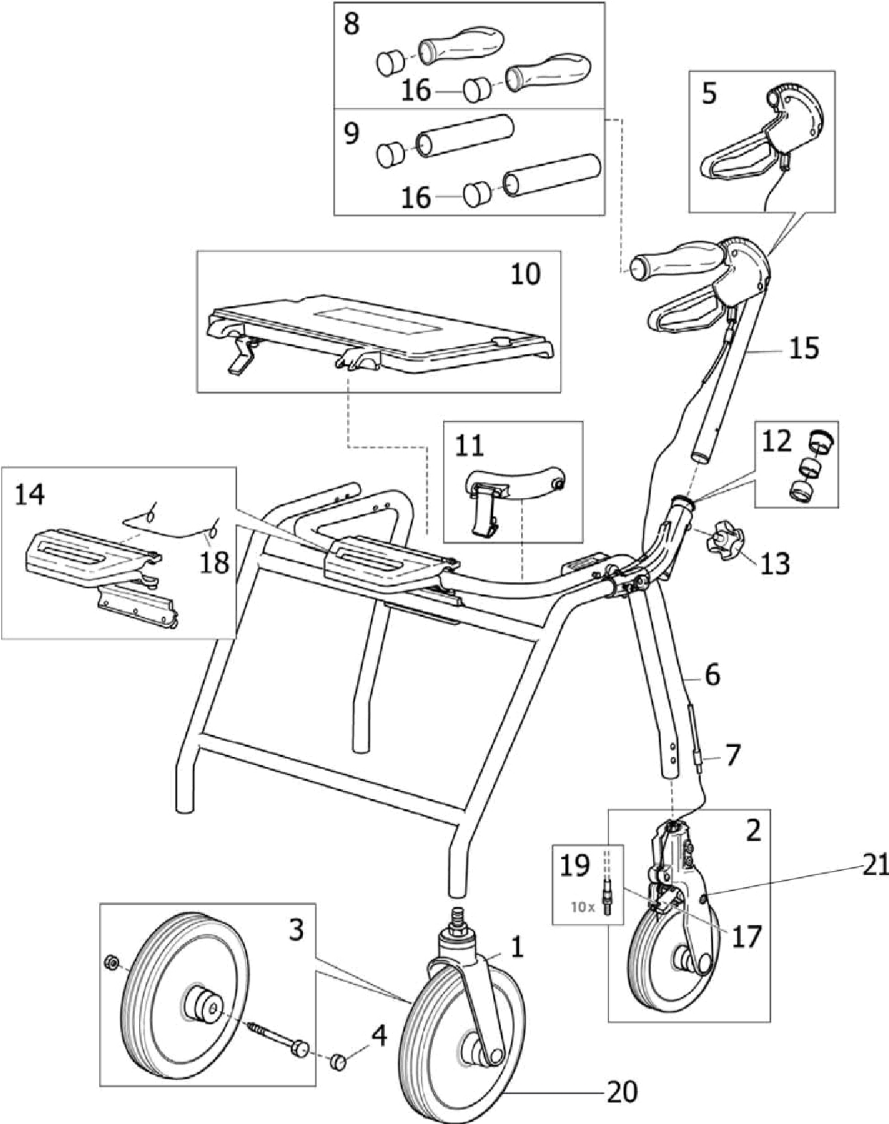


Symphony Rollator



Symphony Rollator

Item Number	Note	Part Number	Description	Quantity Per	
				Package	Assembly
1		13565-25-V01	Wheel Assembly, Grey w/ Fork, SL II - Front	1	2
		70047	Washer, Friction	1	1
		70137	Bushing, Wheel	1	2
		62005DOL	Bolt, Stem (1/4 x 3/16")	1	1
2	A,B	12590-25	Wheel Assembly with Fork, Grey, SL II - Rear	1	2
2	D	12594	Wheel Assembly with Plastic Fork SLII - Rear	1	2
3		12609	Wheel with Hardware, Grey, SLII - Front	1	2
4		70050-NLA	NLA - Cap, Black Plastic - Front Fork	1	2
4		1452282	Cap, Black, Plastic - Front Fork (20 pcs)	20	1
5		12619-L	Kit, Brake Handle - Left	1	1
5		12619-R	Kit, Brake Handle - Right	1	1
6		80068	Wire	1	2
		1452283	Package, Wire (10 pcs)	10	1
7		80090	Wire Cover (630mm)	1	2
		1529918	Package, Wire Cover (630MM)	10	1
7		80089	Wire Cover (550mm)	1	2
		1529917	Package, Wire Cover (550MM)	10	1
7		80088	Wire Cover (500mm)	1	2
		1529910	Package, Wire Cover (500MM)	10	1
8		12519	Grip, Anatomical (Pair)	1	1
9		12593	Grip, Soft (Pair)	1	1
10		12545	Seat Assembly with Hardware, Flip-up	1	1
11		12656	Lock, Folding	1	1
11		1452288	Package, Lock, Folding (10 pcs)	10	1
12		12687	Hinge Component Assembly (Pair)	2	1
13		70253	Knob, Adjustable	1	2
13		1452289	Package, Knob, Adjustable	10	1
14		1510376	Kit, Folding Handle	1	1
15		13509-L	Kit, Handle DABSII - Left	1	1
15		13509-R	Kit, Handle DABSII - Right	1	1
16		1529859	End Cap (20 pcs)	20	1
17	B,C	12620	Brake Flap Assembly, DABSII	1	2
17	D	12617	Brake Flap Assembly, DABS	1	2
18		72025	Spring, Torsion Handle	1	1
18		1529858	Spring for Folding Handle (10 pcs)	10	1
19		1542524	Package, Screw, Adjustment w /Nut (10 pcs)	10	1
20		13511-NLA	NLA - Wheel Complete - Front	1	2
21		13093	Fork, Plastic, Rear	1	2
	E	12530-15	Basket, Standard / Low, max load 9 kg	1	1
	E	12538-15	Basket, Super Low, max load 7 kg	1	1

NOTE: A - Includes part number 13093, Brake Handle, Adjustment Knob and Washer.
 B - Used after March 3, 2010.
 C - Includes part number 12707.
 D - Used before February 3, 2010.
 E - Not Shown.