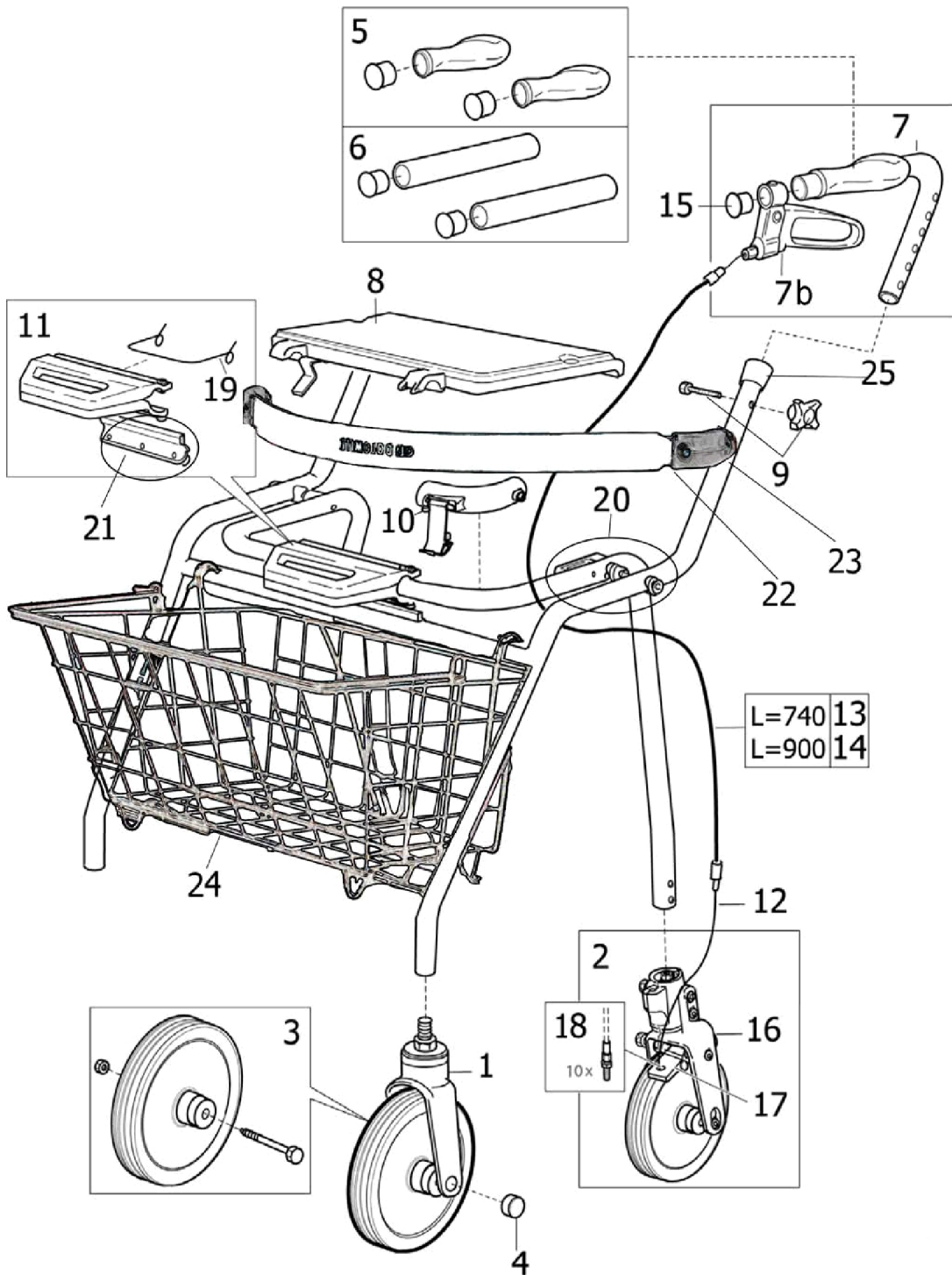


Legacy Rollator



Legacy Rollator

Item Number	Note	Part Number	Description	Quantity Per	
				Package	Assembly
1	A	13565-V01	Wheel Assembly w/ Fork, SL II - Front	1	2
1	B	13565-25-V01	Wheel Assembly, Grey w/ Fork, SL II - Front	1	2
2	A	1534944	Wheel Assembly, DABSII with Fork, Rear	1	2
2	B	12594	Wheel Assembly with Plastic Fork SLII - Rear	1	2
3		12609	Wheel with Hardware, Grey, SLII - Front	1	2
4		70050-NLA	NLA - Cap, Black Plastic - Front Fork	1	2
4		1452282	Cap, Black, Plastic - Front Fork (20 pcs)	20	1
5		12509	Grip Anatomic with Cover (Pair)	1	1
6		12677	Grip, Soft (220mm) (Pair)	1	1
6		70057	Grip, Soft	1	2
7a		13309	Kit, Handle DABS - Left	1	1
7a		13308	Kit, Handle DABS - Right	1	1
7b		13464-L	Brake Handle Assembly - Left	1	1
7b		13464-R	Brake Handle Assembly - Right	1	1
8		12545	Seat Assembly with Hardware, Flip-up	1	1
9		12665	Adjustment Knob and Screw (Pair)	1	1
9		1452459	Package, Adjustment Knob and Screw (10 pcs)	10	1
10	C	12656	Lock, Folding	1	1
10	C	1452288	Package, Lock, Folding (10 pcs)	10	1
11		12622	Kit, Folding Handle	1	1
		72025	Spring, Torsion Handle	1	1
11	D	1510376	Kit, Folding Handle	1	1
12		80068	Wire	1	2
12		1452283	Package, Wire (10 pcs)	10	1
13		1529908	Package, Cover, Wire (740mm) (10 pcs)	10	1
14		1529879	Package, Cover, Wire (900mm) (10 pcs)	10	1
15		1529860	Package, End Cap (20 pcs)	20	1
16		72091	Shoe, Brake	1	2
17	A	12620	Brake Flap Assembly, DABSII	1	2
17	B	12617	Brake Flap Assembly, DABS	1	2
18		1542524	Package, Screw, Adjustment w /Nut (10 pcs)	10	1
19		72025	Spring, Torsion Handle	1	1
19		1529858	Spring for Folding Handle (10 pcs)	10	1
20		12627-NLA	NLA - Folding Hinge Assembly (Pair)	1	1
		70179	Spacer, Tube	1	2
		13337-16	Stopper, Seat	1	2
21		70125-25	Rail	1	1
22	E	12510	Backrest with Screws and Attachment Pieces	1	1
23		70105	Brackets, Straight	1	2
24		12530-15	Basket, Standard / Low, max load 9 kg	1	1
24		12538-15	Basket, Super Low, max load 7 kg	1	1
25		70029	Cap, End	1	2

NOTE: A - Used after March 3, 2010.
 B - Used before March 2, 2010.
 C - Used on Models built between 2000 & 2004.
 D - Includes part number 70125-25 and 12622.
 E - Includes (2) of part number 70105.