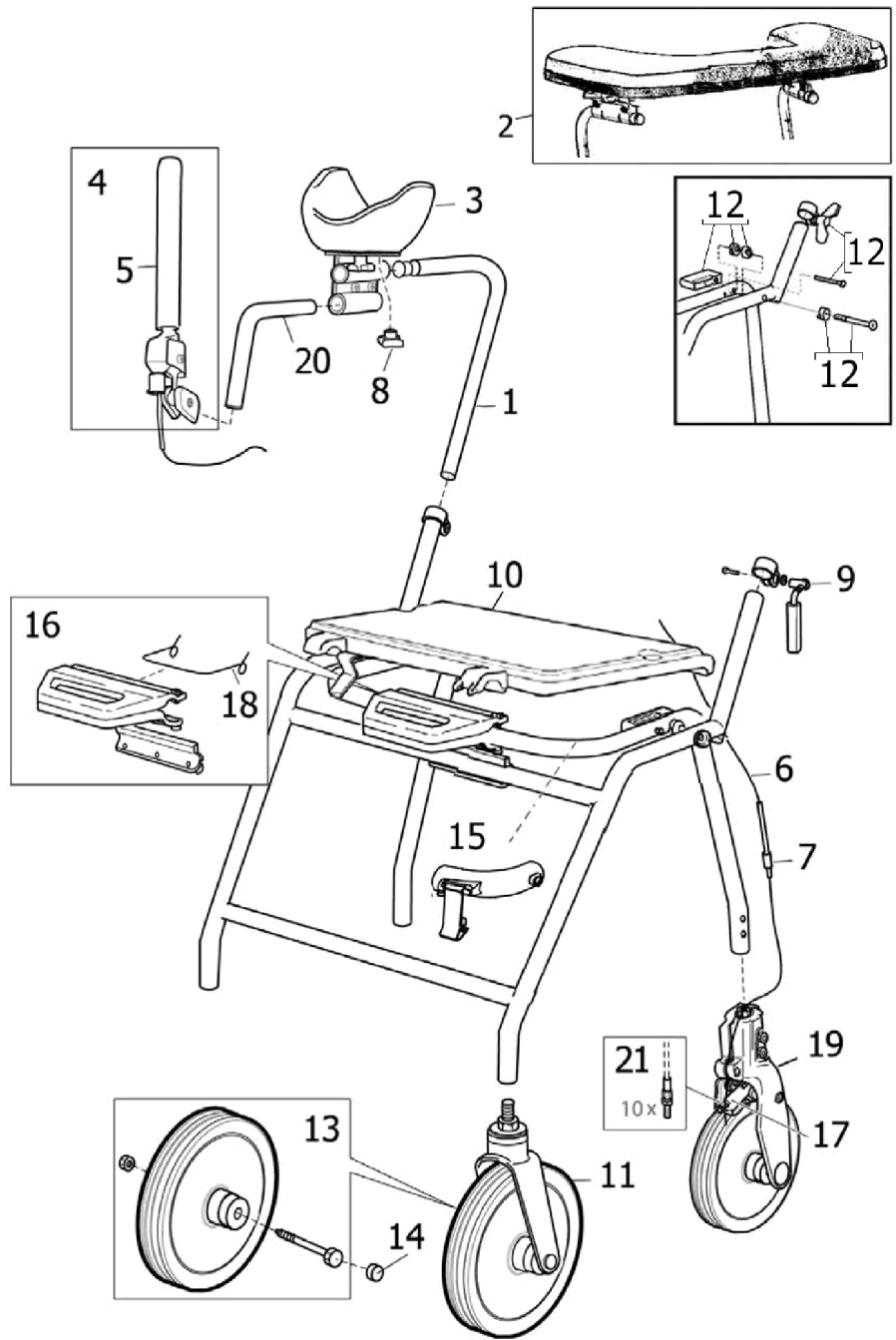


# Alpha Advanced Attachment



## Alpha Advanced Attachment

Item Number	Note	Part Number	Description	Quantity Per	
				Package	Assembly
1	E	13627	Tube, Height Adjustment, Aluminum	1	2
2		13018	Platform, Attachment	1	1
3		13005-L	Arm Support Assembly - Left	1	1
3		13005-R	Arm Support Assembly - Right	1	1
4	A	1510549	Brake Handle Assembly, Soft Grip	1	2
5		12593	Grip, Soft (Pair)	1	1
6		1452466	Wire (1330mm) (10 pcs)	10	1
7		80075	Wire Cover (1000mm)	1	2
8		60042	Knob, Adjustment	1	2
8		1452467	Package, Knob, Adjustment	10	1
9		1452468	Locking Device with Clamp (Pair)	1	1
10		12545	Seat Assembly with Hardware, Flip-up	1	1
11		13565-25-V01	Wheel Assembly, Grey w/ Fork, SL II - Front	1	2
12	B,E	12678	Folding Hinge Assembly (Pair)	1	1
12	C,D	12679	Folding Hinge Assembly (Pair)	1	1
13		12609	Wheel with Hardware, Grey, SLII - Front	1	2
14		70050-NLA	NLA - Cap, Black Plastic - Front Fork	1	2
14		1452282	Cap, Black, Plastic - Front Fork (20 pcs)	20	1
15		12656	Lock, Folding	1	1
16		1510376	Kit, Folding Handle	1	1
17		12620	Brake Flap Assembly, DABSII	2	1
18		72025	Spring, Torsion Handle	1	1
18		1529858	Spring for Folding Handle (10 pcs)	10	1
19		12590-25	Wheel Assembly with Fork, Grey, SL II - Rear	1	2
20	E	13628	Tube, Handle, Aluminum	1	2
21		1542524	Package, Screw, Adjustment w /Nut (10 pcs)	10	1
	F	70311	Tray, Food and Beverage	1	1
	F	12530-15	Basket, Standard / Low, max load 9 kg	1	1

NOTE: A - Includes Brake Handle, Grip, Link, Housing, Wire and Screws.  
B - Includes Seat Stopper, Clamp, Washer, Spacer and Screws.  
C - Includes Seat Stopper, Spacer and Screws.  
D - Use with Models built before May 2002.  
E - Use with Models built after December 2002.  
F - Not Shown.