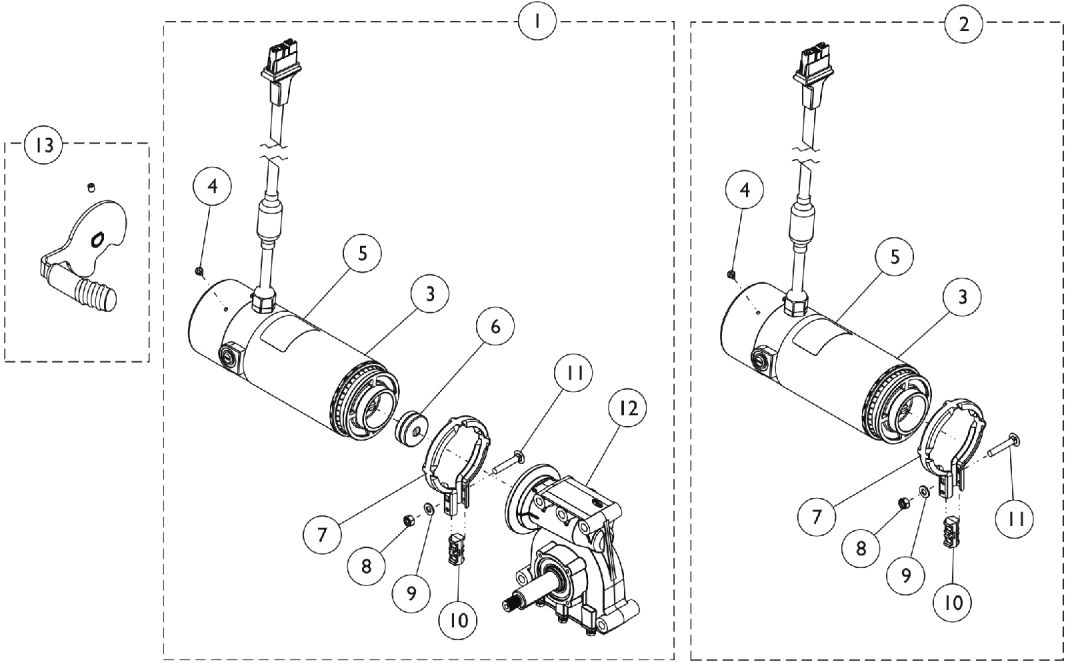
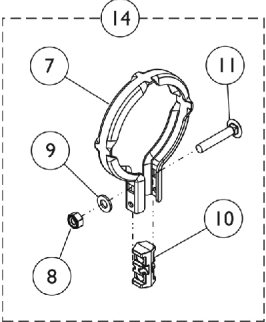


# Motor, 2-Pole, SSD Gearbox and Mounting Hardware

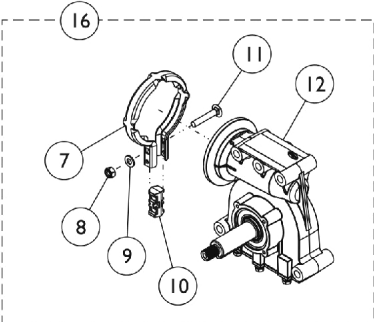


**2-Pole Motor/SSD Gearbox Assembly**

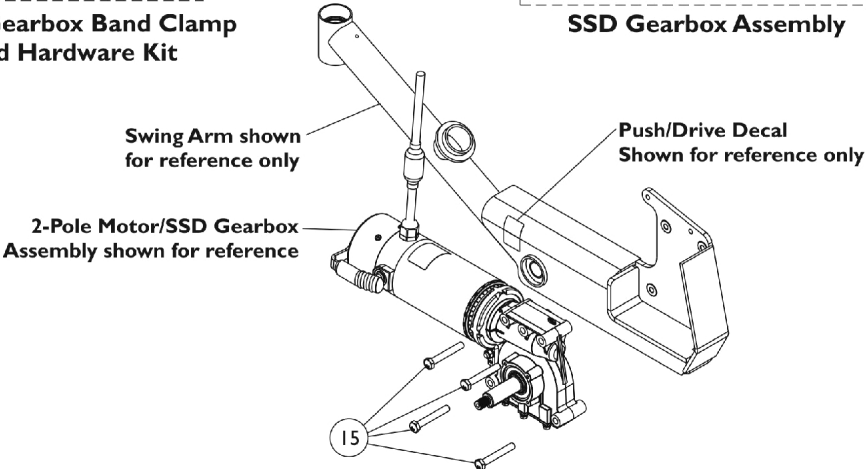
**2-Pole Motor Assembly**



**Motor/Gearbox Band Clamp and Hardware Kit**



**SSD Gearbox Assembly**



## Motor, 2-Pole, SSD Gearbox and Mounting Hardware

Item Number	Note	Part Number	Description	Quantity Per	
				Package	Assembly
1	A,J,K	1168983	Kit, 2-Pole Low Speed Motor/23:1 SSD Gearbox Assembly - Right	1	1
			2-Pole Low Speed Motor/23:1 SSD Gearbox Assembly - Right	1	1
			Decal, Motor Warning	1	1
			Instruction Sheet, Installation	1	1
			Grease, Super Lube (1cc Tube)	1	1
1	A,J,K	1168984	Kit, 2-Pole Low Speed Motor/23:1 SSD Gearbox Assembly - Left	1	1
			2-Pole Low Speed Motor/23:1 SSD Gearbox Assembly - Left	1	1
			Decal, Motor Warning	1	1
			Instruction Sheet, Installation	1	1
			Grease, Super Lube (1cc Tube)	1	1
6		1168883	Package, Coupling/Cup Assembly	10	1
2	B,K	1179216	Kit, Motor Assembly, 2-Pole Low Speed	1	1
3			Motor Assembly, 2-Pole Low Speed	1	1
4			Screw, Phillips Pan Head Tap (M4 x .7 x 6mm)	1	1
5			Decal, Motor Warning	1	1
			Decal, Push/Drive	1	1
7			Clamp, Band	1	1
8			Locknut (M6 x 1)	1	1
9			Washer, Plain (1/4 x 1/2 x 9/16")	1	1
10			Spacer, Clamp, Molded	1	1
11			Bolt, Round Head Square Neck (M6 x 1 x 35mm)	1	1
			Instruction Sheet, Installation	1	1
			Grease, Super Lube (1cc Tube)	1	1
16	C,J,K	1179222	Kit, SSD Gearbox Assembly, 23:1 - RWD/FWD-Left & CWD-Right	1	1
7			Clamp, Band	1	1
8			Locknut (M6 x 1)	1	1
9			Washer, Plain (1/4 x 1/2 x 9/16")	1	1
10			Spacer, Clamp, Molded	1	1
11			Bolt, Round Head Square Neck (M6 x 1 x 35mm)	1	1
12			Gearbox Assembly, SSD, 23:1 - RWD/FWD-Left & CWD-Right	1	1
			Instruction Sheet, Installation	1	1
			Grease, Super Lube (1cc Tube)	1	1
16	C,J,K	1179221	Kit, SSD Gearbox Assembly, 23:1 - RWD/FWD-Right & CWD-Left	1	1
7			Clamp, Band	1	1
8			Locknut (M6 x 1)	1	1
9			Washer, Plain (1/4 x 1/2 x 9/16")	1	1
10			Spacer, Clamp, Molded	1	1
11			Bolt, Round Head Square Neck (M6 x 1 x 35mm)	1	1
12			Gearbox Assembly, SSD, 23:1 - RWD/FWD-Right & CWD-Left	1	1
			Instruction Sheet, Installation	1	1
			Grease, Super Lube (1cc Tube)	1	1

## Motor, 2-Pole, SSD Gearbox and Mounting Hardware

Item Number	Note	Part Number	Description	Quantity Per	
				Package	Assembly
13	G	1169005	Kit, Brake Lever Assembly w/ Set Screw, 2-Pole Motor (Pair)	1	1
			Brake Lever Assembly w/ Set Screw, 2-Pole Motor - Right	1	1
			Brake Lever Assembly w/ Set Screw, 2-Pole Motor - Left	1	1
	M	1168665-NLA	NLA - Screw, Set Socket Cup Point w/ Patch (M5 x .8 x 6mm)	--	--
14	D	1168884	Kit, Motor/SSD Gearbox Band Clamp and Hardware	1	1
7			Clamp, Band	1	1
8			Locknut (M6 x 1)	1	1
9			Washer, Plain (1/4 x 1/2 x 9/16")	1	1
10			Spacer, Clamp, Molded	1	1
11			Bolt, Round Head Square Neck (M6 x 1 x 35mm)	1	1
			Instruction Sheet, Installation	1	1
			Grease, Super Lube (1cc Tube)	1	1
15	E,I	1169645	Package, Screw, Hex Head w/ Patch (M8 x 1.25 x 60mm)	4	1
	F	1160525	Kit, Brushes with Caps, 2-Pole	1	1
			Brush, Motor, 2-Pole	1	2
			Cap, Brush	1	2
			Instruction Sheet	1	1
	H	1101725	Cap, Brake Lever End, Black	1	1
	H	1130584	Package, Cap, Brake Lever End, Black	10	1
	L	1180609	Package, Grease, Super Lube (1cc Tube) (Pkg. of 10)	10	1

NOTE: A - Includes items 3-12, Super Lube Grease, Instruction Sheet and Push/Drive Decal. For FDX Model only: Push/Drive Decal is attached to Swing Arm.

B - Includes items 3-5, 7-11, Super Lube Grease, Instruction Sheet and Push/Drive Decal. For FDX Model only: Push/Drive Decal is attached to Swing Arm. The Motor can be used on the right or left side of the wheelchair.

C - Includes items 8-12, Super Lube Grease and Instruction Sheet.

D - Includes items 7-11.

E - Screw Package is used to attach the Motor/Gearbox Assembly to the Swing Arm.

F - Not Shown. Kit includes (2) Brushes, (2) Brush Caps and Instruction Sheet.

G - Brake Lever Assembly sold as a pair that includes the right and left side Brake Levers, (2) ea. Brake Lever End Caps, (2) ea. Set Screws - see part #1168665 to order separately. Brake Lever End Cap can be sold separately. See part #1101725.

H - Not Shown. Brake Lever End Cap attaches to item 13 Brake Lever Assembly.

I - Material was added to the SSD Gearbox around the 5 mounting holes on the output side 7/11/11. The Mounting Hex Head Screw was also changed from 55mm to 60mm. The 60mm Hex Head Screw is Backward Compatible to all SSD Gearboxes manufactured Before 7/11/11.

J - Material was added to the SSD Gearbox around the 5 mounting holes on the output side 7/11/11. Item #15 (Package, Screw, Hex Head w/ Patch (M8 x 1.25 x 60mm)) must also be ordered for wheelchairs manufactured Before 7/11/11.

K - Before placing an order, it is recommended to call Invacare's Technical Service Department at (1-800-832-4707) to verify if the Motor, SSD Gearbox or the Motor/SSD Gearbox Assembly is needed.

L - Not Shown. Super Lube Grease is applied to the Gearbox Output Shaft.

M - Not Shown. Use part #1168665 Screw, Set Socket Cup Point w/ Patch (M5 x .8 x 6mm) to hold item #13 Brake Lever in place.