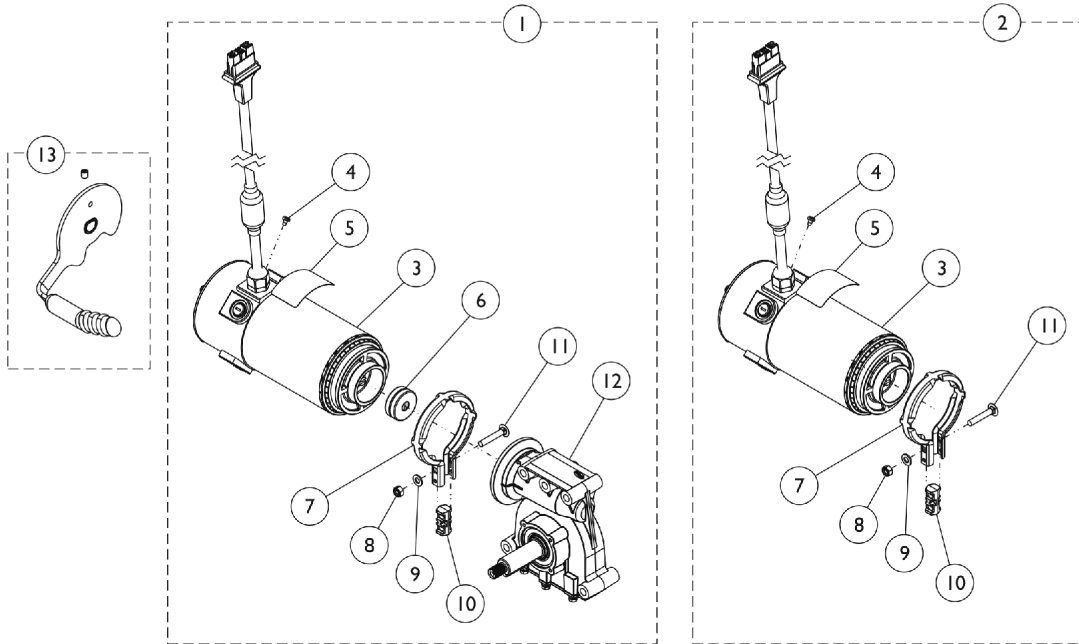


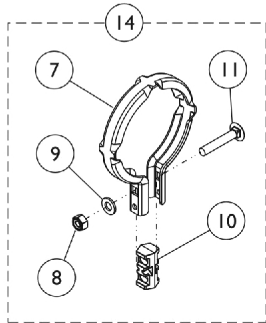
Motor, 4-Pole, SSD Gearbox and Mounting Hardware

4-Pole Motors are used when the Drive Type Option PERF is selected on-chair. Replacement Motor Brush and Cap is not available for the 4-Pole motor listed.

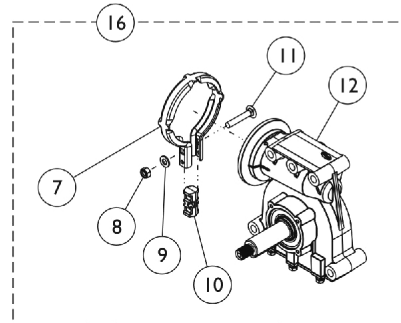


4-Pole Motor/SSD Gearbox Assembly

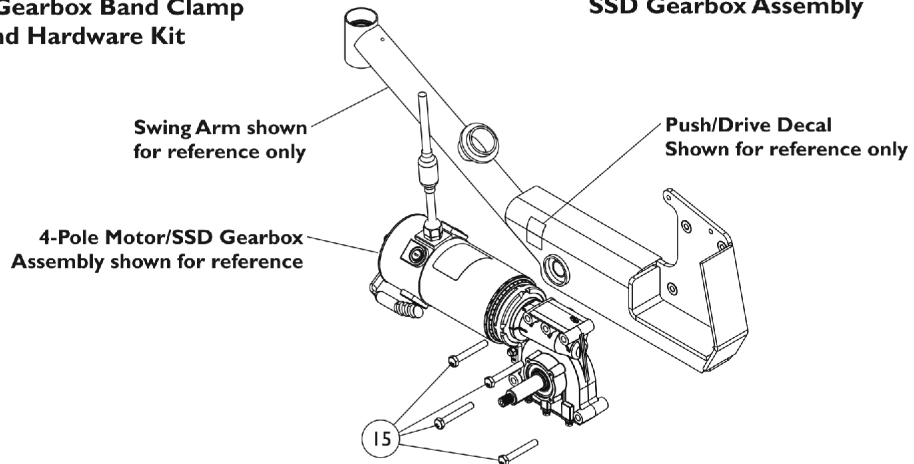
4-Pole Motor Assembly



Motor/Gearbox Band Clamp and Hardware Kit



SSD Gearbox Assembly



Motor, 4-Pole, SSD Gearbox and Mounting Hardware

4-Pole Motors are used when the Drive Type Option PERF is selected on-chair. Replacement Motor Brush and Cap is not available for the 4-Pole motor listed.

Item Number	Note	Part Number	Description	Quantity Per	
				Package	Assembly
1	A,J,K	1168988-NLA	NLA - Kit, 4-Pole High Speed Motor/18:1 SSD Gearbox Assembly - Right	1	1
			4-Pole High Speed Motor/18:1 SSD Gearbox Assembly - Right	1	1
			Decal, Motor Warning	1	1
			Instruction Sheet, Installation	1	1
			Grease, Super Lube (1cc Tube)	1	1
1	A,J,K	1168989-NLA	NLA - Kit, 4-Pole High Speed Motor/18:1 SSD Gearbox Assembly - Left	1	1
			4-Pole High Speed Motor/18:1 SSD Gearbox Assembly - Left	1	1
			Decal, Motor Warning	1	1
			Instruction Sheet, Installation	1	1
			Grease, Super Lube (1cc Tube)	1	1
6		1168883	Package, Coupling/Cup Assembly	10	1
2	B,K,N	1179218-NLA	NLA - Kit, Motor Assembly, 4-Pole High Speed Motor Assembly, 4-Pole High Speed	1	1
			Screw, Phillips Pan Head Tap (M4 x .7 x 6mm)	1	1
			Decal, Motor Warning	1	1
			Decal, Push/Drive	1	1
			Clamp, Band	1	1
			Locknut (M6 x 1)	1	1
			Washer, Plain (1/4 x 1/2 x 9/16")	1	1
			Spacer, Clamp, Molded	1	1
			Bolt, Round Head Square Neck (M6 x 1 x 35mm)	1	1
			Instruction Sheet, Installation	1	1
			Grease, Super Lube (1cc Tube)	1	1
2	B,K	1195983	Kit, Motor Assembly, 4-Pole High Speed Motor Assembly, 4-Pole High Speed	1	1
			Decal, Motor Warning	1	1
			Decal, Push/Drive	1	1
			Label, Refer To User Manual	1	1
			Clamp, Band	1	1
			Locknut (M6 x 1)	1	1
			Washer, Plain (1/4 x 1/2 x 9/16")	1	1
			Spacer, Clamp, Molded	1	1
			Bolt, Round Head Square Neck (M6 x 1 x 35mm)	1	1
			Instruction Sheet, Installation	1	1
			Sheet, Insert Parts Service	1	1
			Grease, Super Lube (1cc Tube)	1	1
16	C,J,K	1179219	Kit, SSD Gearbox Assembly, 18:1 - RWD/FWD-Right & CWD-Left	1	1
7			Clamp, Band	1	1
8			Locknut (M6 x 1)	1	1
9			Washer, Plain (1/4 x 1/2 x 9/16")	1	1
10			Spacer, Clamp, Molded	1	1

Motor, 4-Pole, SSD Gearbox and Mounting Hardware

4-Pole Motors are used when the Drive Type Option PERF is selected on-chair. Replacement Motor Brush and Cap is not available for the 4-Pole motor listed.

Item Number	Note	Part Number	Description	Quantity Per	
				Package	Assembly
11			Bolt, Round Head Square Neck (M6 x 1 x 35mm)	1	1
12			Gearbox Assembly, SSD, 18:1 - RWD/FWD-Right & CWD-Left	1	1
			Instruction Sheet, Installation	1	1
			Grease, Super Lube (1cc Tube)	1	1
16	C,J,K	1179220	Kit, SSD Gearbox Assembly, 18:1 - RWD/FWD-Left & CWD-Right	1	1
7			Clamp, Band	1	1
8			Locknut (M6 x 1)	1	1
9			Washer, Plain (1/4 x 1/2 x 9/16")	1	1
10			Spacer, Clamp, Molded	1	1
11			Bolt, Round Head Square Neck (M6 x 1 x 35mm)	1	1
12			Gearbox Assembly, SSD, 18:1 - RWD/FWD-Left & CWD-Right	1	1
			Instruction Sheet, Installation	1	1
			Grease, Super Lube (1cc Tube)	1	1
13	G	1169004	Kit, Brake Lever Assembly w/ Set Screw, 4-Pole Motor (Pair)	1	1
			Brake Lever Assembly w/ Set Screw, 4-Pole Motor - Right	1	1
			Brake Lever Assembly w/ Set Screw, 4-Pole Motor - Left	1	1
	M	1168665-NLA	NLA - Screw, Set Socket Cup Point w/ Patch (M5 x .8 x 6mm)	1	1
14	D	1168884	Kit, Motor/SSD Gearbox Band Clamp and Hardware	1	1
7			Clamp, Band	1	1
8			Locknut (M6 x 1)	1	1
9			Washer, Plain (1/4 x 1/2 x 9/16")	1	1
10			Spacer, Clamp, Molded	1	1
11			Bolt, Round Head Square Neck (M6 x 1 x 35mm)	1	1
			Instruction Sheet, Installation	1	1
			Grease, Super Lube (1cc Tube)	1	1
15	I	1169645	Package, Screw, Hex Head w/ Patch (M8 x 1.25 x 60mm)	4	1
	H	1101725	Cap, Brake Lever End, Black	1	1
	H	1130584	Package, Cap, Brake Lever End, Black	10	1
	L	1180609	Package, Grease, Super Lube (1cc Tube) (Pkg. of 10)	10	1

Motor, 4-Pole, SSD Gearbox and Mounting Hardware

4-Pole Motors are used when the Drive Type Option PERF is selected on-chair. Replacement Motor Brush and Cap is not available for the 4-Pole motor listed.

- NOTE:
- A - Includes items 3-12, Super Lube Grease, Instruction Sheet and Push/Drive Decal. For FDX Model only: Push/Drive Decal is attached to Swing Arm.
 - B - Includes items 3-5, 7-11, Super Lube Grease, Instruction Sheet and Push/Drive Decal. For FDX Model only: Push/Drive Decal is attached to Swing Arm. The Motor can be used on the right or left side of the wheelchair.
 - C - Includes items 8-12, Super Lube Grease and Instruction Sheet.
 - D - Includes items 7-11.
 - G - Brake Lever Assembly sold as a pair that includes the right and left side Brake Levers, (2) ea. Brake Lever End Caps, (2) ea. Set Screws - see part #1168665 to order separately. Brake Lever End Cap can be sold separately. See part #1101725.
 - H - Not Shown. Brake Lever End Cap attaches to item 13 Brake Lever Assembly.
 - I - Material was added to the SSD Gearbox around the 5 mounting holes on the output side 7/11/11. The Mounting Hex Head Screw was also changed from 55mm to 60mm. The 60mm Hex Head Screw is Backward Compatible to all SSD Gearboxes manufactured Before 7/11/11.
 - J - Material was added to the SSD Gearbox around the 5 mounting holes on the output side 7/11/11. Item #15 (Package, Screw, Hex Head w/ Patch (M8 x 1.25 x 60mm)) must also be ordered for wheelchairs manufactured Before 7/11/11.
 - K - Before placing an order, it is recommended to call Invacare's Technical Service Department at (1-800-832-4707) to verify if the Motor, SSD Gearbox or the Motor/SSD Gearbox Assembly is needed.
 - L - Not Shown. Super Lube Grease is applied to the Gearbox Output Shaft.
 - M - Not Shown. Use part #1168665 Screw, Set Socket Cup Point w/ Patch (M5 x .8 x 6mm) to hold item #13 Brake Lever in place.
 - N - No Longer Available. For replacement order part number 1195983. Order in pairs to match when replacing part number 1179218.