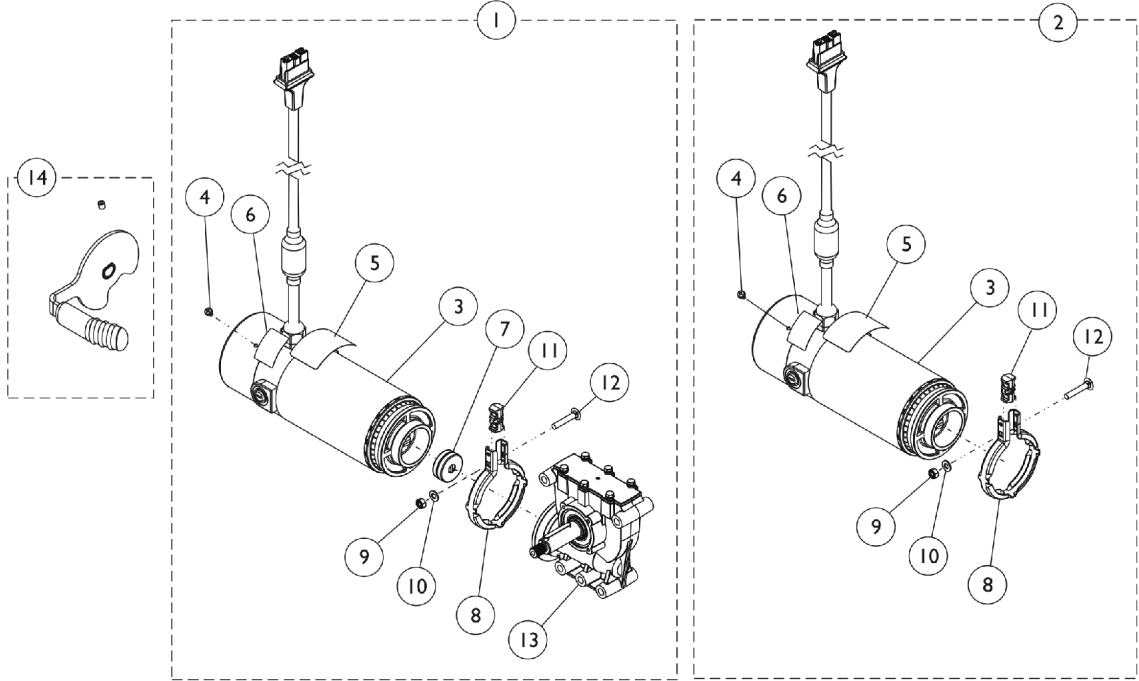


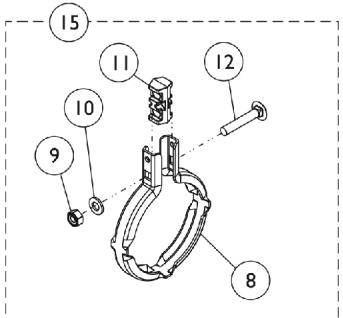
Motors, 2-Pole, SSD Gearbox and Mounting Hardware

TDX SI & TDX SI-2 After 9/14/11

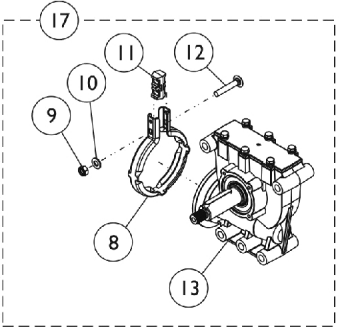


2-Pole Motor/SSD Gearbox Assembly

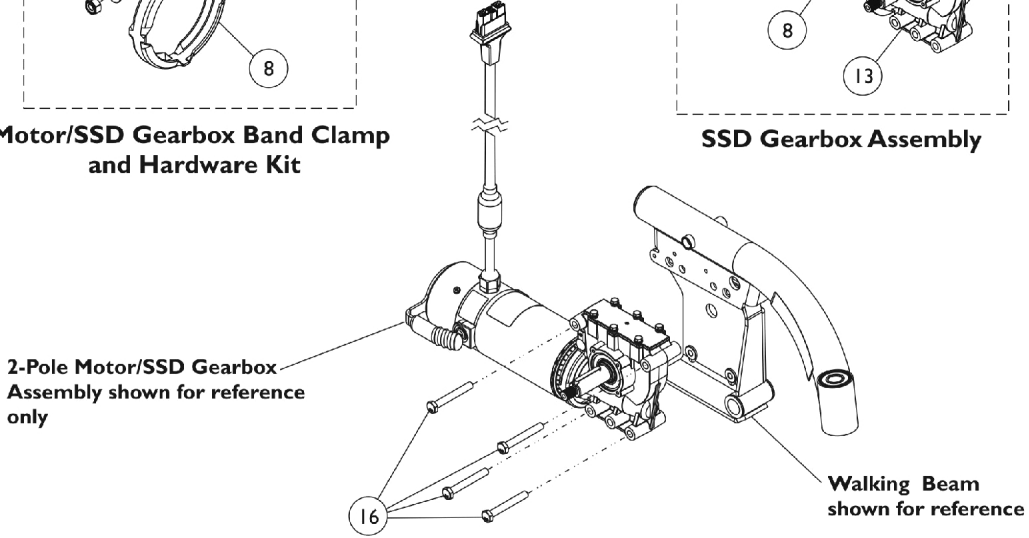
2-Pole Motor Assembly



Motor/SSD Gearbox Band Clamp and Hardware Kit



SSD Gearbox Assembly



Motors, 2-Pole, SSD Gearbox and Mounting Hardware TDX SI & TDX SI-2 After 9/14/11

Item Number	Note	Part Number	Description	Quantity Per	
				Package	Assembly
1	A,B,J	1175014	Kit, 2-Pole Low Speed Motor/23:1 SSD Gearbox Assembly - Right	1	1
			2-Pole Low Speed Motor/23:1 SSD Gearbox Assembly - Right	1	1
			Decal, Motor Warning	1	1
			Decal, Push/Drive	1	1
			Instruction Sheet, Installation	1	1
			Grease, Super Lube (1cc Tube)	1	1
1	A,B,J	1175015	Kit, 2-Pole Low Speed Motor/23:1 SSD Gearbox Assembly - Left	1	1
			2-Pole Low Speed Motor/23:1 SSD Gearbox Assembly - Left	1	1
			Decal, Motor Warning	1	1
			Decal, Push/Drive	1	1
			Instruction Sheet, Installation	1	1
			Grease, Super Lube (1cc Tube)	1	1
2	A,C,J	1179216	Kit, Motor Assembly, 2-Pole Low Speed	1	1
3			Motor Assembly, 2-Pole Low Speed	1	1
4			Screw, Phillips Pan Head Tap (M4 x .7 x 6mm)	1	1
5			Decal, Motor Warning	1	1
6			Decal, Push/Drive	1	1
8			Clamp, Band	1	1
9			Locknut (M6 x 1)	1	1
10			Washer, Plain (1/4 x 1/2 x 9/16")	1	1
11			Spacer, Clamp, Molded	1	1
12			Bolt, Round Head Square Neck (M6 x 1 x 35mm)	1	1
			Instruction Sheet, Installation	1	1
			Grease, Super Lube (1cc Tube)	1	1
7		1168883	Package, Coupling/Cup Assembly	10	1
17	A,E,J	1179221	Kit, SSD Gearbox Assembly, 23:1 - RWD/FWD-Right & CWD-Left	1	1
8			Clamp, Band	1	1
9			Locknut (M6 x 1)	1	1
10			Washer, Plain (1/4 x 1/2 x 9/16")	1	1
11			Spacer, Clamp, Molded	1	1
12			Bolt, Round Head Square Neck (M6 x 1 x 35mm)	1	1
13			Gearbox Assembly, SSD, 23:1 - RWD/FWD-Right & CWD-Left	1	1
			Instruction Sheet, Installation	1	1
			Grease, Super Lube (1cc Tube)	1	1
17	A,D,J	1179222	Kit, SSD Gearbox Assembly, 23:1 - RWD/FWD-Left & CWD-Right	1	1
8			Clamp, Band	1	1
9			Locknut (M6 x 1)	1	1
10			Washer, Plain (1/4 x 1/2 x 9/16")	1	1
11			Spacer, Clamp, Molded	1	1
12			Bolt, Round Head Square Neck (M6 x 1 x 35mm)	1	1

Motors, 2-Pole, SSD Gearbox and Mounting Hardware TDX SI & TDX SI-2 After 9/14/11

Item Number	Note	Part Number	Description	Quantity Per	
				Package	Assembly
13			Gearbox Assembly, SSD, 23:1 - RWD/FWD-Left & CWD-Right	1	1
			Instruction Sheet, Installation	1	1
			Grease, Super Lube (1cc Tube)	1	1
14	F	1169005	Kit, Brake Lever Assembly w/ Set Screw, 2-Pole Motor (Pair)	1	1
			Brake Lever Assembly w/ Set Screw, 2-Pole Motor - Right	1	1
			Brake Lever Assembly w/ Set Screw, 2-Pole Motor - Left	1	1
	L	1168665-NLA	NLA - Screw, Set Socket Cup Point w/ Patch (M5 x .8 x 6mm)	1	1
15	G	1168884	Kit, Motor/SSD Gearbox Band Clamp and Hardware	1	1
8			Clamp, Band	1	1
9			Locknut (M6 x 1)	1	1
10			Washer, Plain (1/4 x 1/2 x 9/16")	1	1
11			Spacer, Clamp, Molded	1	1
12			Bolt, Round Head Square Neck (M6 x 1 x 35mm)	1	1
			Instruction Sheet, Installation	1	1
			Grease, Super Lube (1cc Tube)	1	1
16		1169645	Package, Screw, Hex Head w/ Patch (M8 x 1.25 x 60mm)	4	1
	H	1160525	Kit, Brushes with Caps, 2-Pole	1	1
			Brush, Motor, 2-Pole	1	2
			Cap, Brush	1	2
			Instruction Sheet	1	1
	I	1101725	Cap, Brake Lever End, Black	1	1
	I	1130584	Package, Cap, Brake Lever End, Black	10	1
	K	1180609	Package, Grease, Super Lube (1cc Tube) (Pkg. of 10)	10	1

NOTE: A - Used for 300 Lb. user weight limit.
 B - Includes items 3-13, Super Lube Grease and Instruction Sheet. NOTE: Brake Lever Item #14 is "not" included.
 C - Includes items 3-6, 8-12, Super Lube Grease and Instruction Sheet. NOTE: Brake Lever Item #14 is "not" included.
 D - Includes items 8-13, Super Lube Grease and Instruction Sheet. NOTE: A left side gearbox that is used on RWD models is assembled to the right side of the wheelchair for TDX SI models.
 E - Includes items 8-13, Super Lube Grease and Instruction Sheet. NOTE: A right side gearbox that is used on RWD models is assembled to the left side of the wheelchair for TDX SI models.
 F - Brake Lever Assembly sold as a pair that includes the right and left side Brake Levers, (2) ea. Brake Lever End Caps, (2) ea. Set Screws - see part #1168665 to order separately. Brake Lever End Cap can be sold separately. See part #1101725.
 G - Includes items 8-12.
 H - Not Shown. Kit includes (2) Brushes, (2) Brush Caps and Instruction Sheet.
 I - Not Shown. Brake Lever End Cap attaches to item #14 Brake Lever Assembly.
 J - Before placing an order, it is recommended to call Invacare's Technical Service Department at (1-800-832-4707) to verify if the Motor, SSD Gearbox or the Motor/SSD Gearbox Assembly is needed.
 K - Not Shown. Super Lube Grease is applied to the Gearbox Output Shaft.
 L - Not Shown. Use part #1168665 Screw, Set Socket Cup Point w/ Patch (M5 x .8 x 6mm) to hold item #14 Brake Lever in place.