

Base, Seat and Backrest Frames

NOTE: Please call Customer Service when ordering replacement frames, these are special orders and must be ordered through Customer Service. Use Quote Number C-120229040750 when replacing any frame.

T7A Growth Order Instructions

When growing the chair you need to change:

WIDTH:

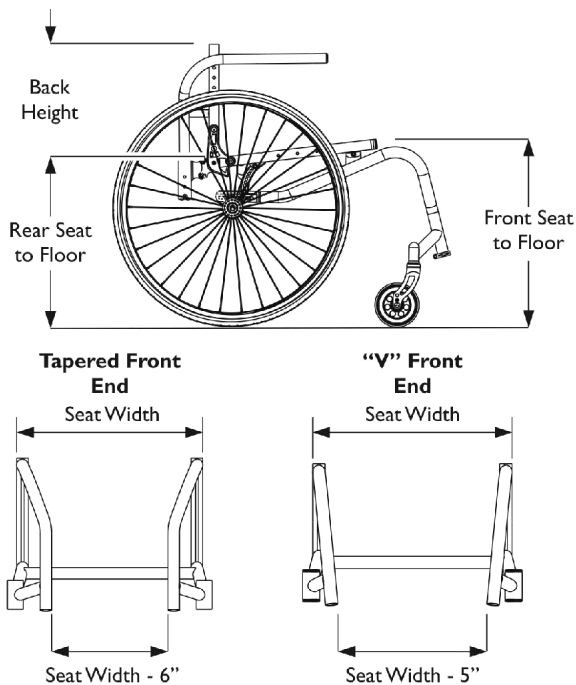
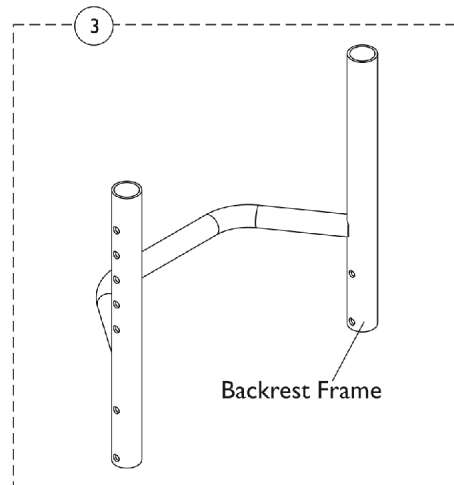
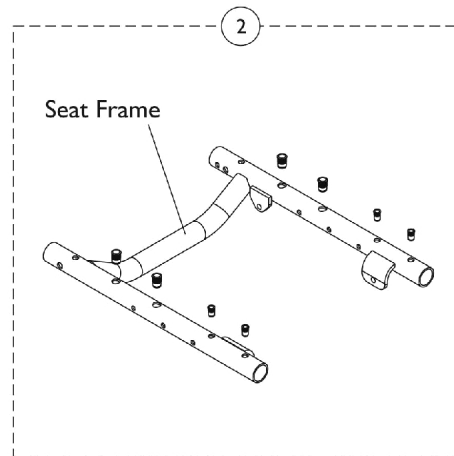
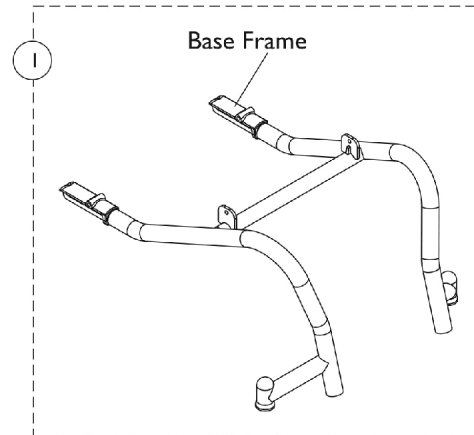
Base Frame: In the specials screen you need to have the serial number, type of front frame [tapered or "V"], seat width, camber angle, footrest type, fork type, caster type, size of rear wheels, type of rear tire, front seat to floor and rear seat to floor.

Parts: Seat Frame, Backrest Frame, Camber Tube, Seat and Back Upholstery, Footrest (If needed), and Backrest Cord.

DEPTH:

Base Frame: In the specials screen you need to have the serial number, type of front frame [tapered or non], seat width and depth, camber angle, footrest type, fork type, caster type, size of rear wheels, type of rear tire, front seat to floor and rear seat to floor.

Parts: Seat Frame, Seat Upholstery, and additional Seat Screws (if going to deeper seat).



Base, Seat and Backrest Frames

NOTE: Please call Customer Service when ordering replacement frames, these are special orders and must be ordered through Customer Service. Use Quote Number C-120229040750 when replacing any frame.

#1 Base Frames

When ordering a replacement part the serial number must be provided. Replacement parts must be customized for your product and orders will need to be placed through Customer Service. Refer to quote number C-120229040750 when replacing frames.

Frame Style	Part Number
CRF111 - Active	8881169761-NLA
CRF111 - Active - Canadian	8881169760-NLA

Specify frame color when ordering, see category titled, "Frame Finishes."

#2 Seat Frames

Seat Depth	14" Deep	15" Deep	16" Deep	17" Deep	18" Deep	19" Deep	20" Deep
12" Width	8881169931-NLA	N/A	N/A	N/A	N/A	N/A	N/A
13" Width	8881169932-NLA	N/A	N/A	N/A	N/A	N/A	N/A
14" Width	8881169933-NLA	8881169938-NLA	8881169939-NLA	8881169950-NLA	8881169951-NLA	N/A	N/A
15" Width	8881169934-NLA	8881169940-NLA	8881169941-NLA	8881169952-NLA	8881169953-NLA	N/A	N/A
16" Width	8881169935-NLA	8881169942-NLA	8881169943-NLA	8881169954-NLA	8881169955-NLA	8881169964-NLA	N/A
17" Width	8881169936-NLA	8881169944-NLA	8881169945-NLA	8881169956-NLA	8881169957-NLA	8881169965-NLA	N/A
18" Width	8881169937-NLA	8881169946-NLA	8881169947-NLA	8881169958-NLA	8881169959-NLA	8881169966-NLA	8881169967-NLA
19" Width	N/A	N/A	8881169948-NLA	8881169960-NLA	8881169961-NLA	8881169968-NLA	8881169969-NLA
20" Width	N/A	N/A	8881169949	8881169962-NLA	8881169963-NLA	8881169970-NLA	8881169971-NLA

Specify frame color when ordering, see category titled, "Frame Finishes."

Base, Seat and Backrest Frames

NOTE: Please call Customer Service when ordering replacement frames, these are special orders and must be ordered through Customer Service. Use Quote Number C-120229040750 when replacing any frame.

#3 Backrest Frames

Back Height	8 - 11" High	10 - 14" High	12 - 16" High	14 - 18" High	16 - 20" High
12" Wide	8881169882-NLA	8881169883-NLA	8881169884-NLA	8881169885-NLA	8881169886-NLA
13" Wide	8881169887-NLA	8881169888-NLA	8881169889-NLA	8881169890-NLA	8881169891-NLA
14" Wide	8881169892-NLA	8881169893-NLA	8881169894-NLA	8881169895-NLA	8881169896-NLA
15" Wide	8881169901-NLA	8881169902-NLA	8881169903-NLA	8881169904-NLA	8881169905-NLA
16" Wide	8881169906-NLA	8881169907-NLA	8881169908-NLA	8881169909-NLA	8881169910-NLA
17" Wide	8881169911-NLA	8881169912	8881169913-NLA	8881169914-NLA	8881169915-NLA
18" Wide	8881169916-NLA	8881169917-NLA	8881169918-NLA	8881169919-NLA	8881169920-NLA
19" Wide	8881169921-NLA	8881169922-NLA	8881169923-NLA	8881169924-NLA	8881169925-NLA
20" Wide	8881169926-NLA	8881169927-NLA	8881169928-NLA	8881169929-NLA	8881169930-NLA

Specify frame color when ordering frames, see category titled "Frame Finishes".

#3 Backrest Frames - MX1 Seating

14" W	15" W	16" W	17" W	18" W
8881180028-NLA	8881180029-NLA	8881179893-NLA	8881180030-NLA	8881180031-NLA