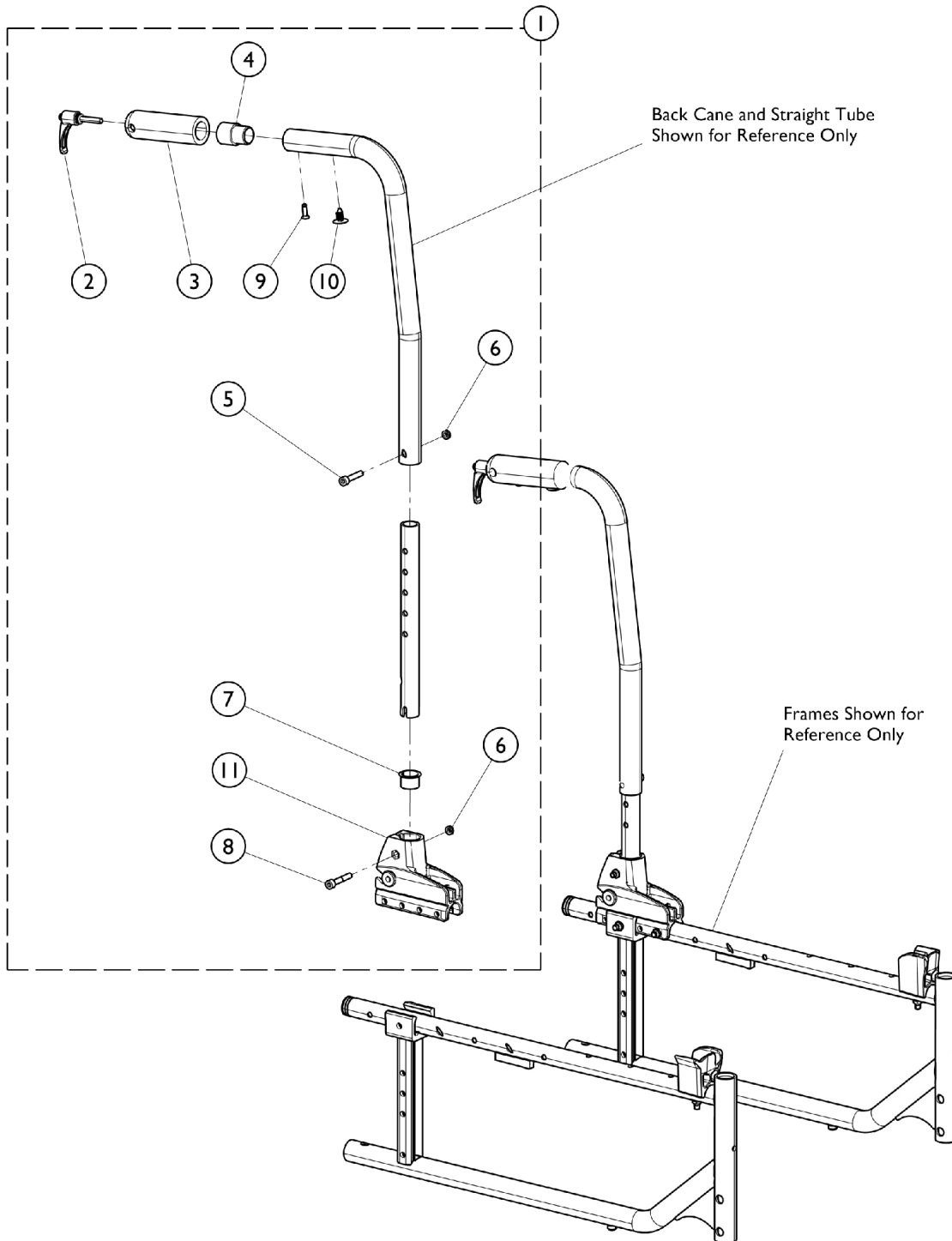


Back Cane Hardware w/ Lumbar Support (Adjustable Height)



Back Cane Hardware w/ Lumbar Support (Adjustable Height)

Item Number	Note	Part Number	Description	Quantity Per	
				Package	Assembly
1	A	1172975	Kit, Cane Hardware w/ Lumbar Support (Adjustable Height)	1	1
2			Lever, Indexable	1	2
3			Grip, Hand, Foam (4")	1	2
4			Insert, Backbrace	1	2
5			Screw, Cap, Socket Head (M6 x 35mm)	1	2
6			Locknut (M6 x 1)	1	4
7			Bushing, Flanged	1	2
8			Screw, Cap, Socket Head (M6 x 35mm)	1	2
9			Screw, Phillips Pan Head (M4.8 X 16mm)	1	2
10			Panel Fastener, Snap In	1	2

NOTE: A - Includes items 2 - 10.