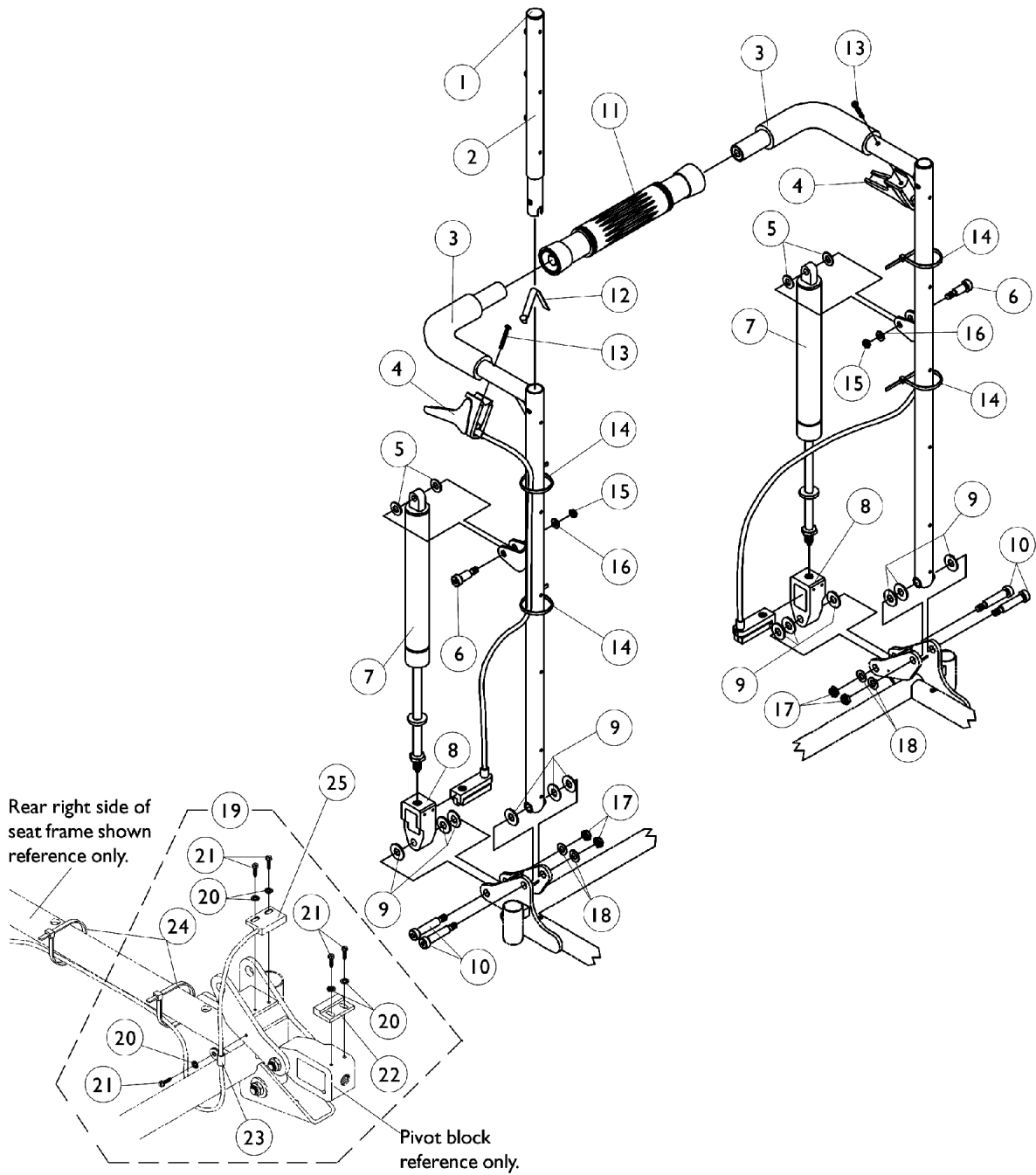


Recliner Back Assembly



Rear right side of seat frame shown reference only.

Pivot block reference only.

Limit Switch Assembly

NOTE: Sensor actuator used with a recliner harness and sensor cable to serve as a drive lockout safety feature.

Recliner Back Assembly

Item Number	Note	Part Number	Description	Quantity Per	
				Package	Assembly
1		1027095	Plug Button, Black (7/8")	1	2
2		1052997-NLA	NLA - Headrest Tube Assembly, Black - Right	1	2
2		1052998-NLA	NLA - Headrest Tube Assembly, Black - Left	1	2
3		See Chart	Recliner Back Assembly	1	2
4	A,I	1050214	Cable with Trigger	1	2
4	J	1050215	Cable with Trigger	1	2
4	K	1050216	Cable with Trigger	1	2
5		1026032	Washer, Nylon (11/32 x 11/16 x 1/16")	1	4
6		1050153	Screw, Shoulder Hex Socket Head (5/16 x 7/8", 1/4-20)	1	2
7	D	1050154	Cylinder, Lock, Recline	1	2
7	E	1050306	Cylinder, Lock	1	2
8		1050136	Pivot, Block	1	2
9		1012371	Washer, Nylon (3/8 x 7/8 x 1/16")	1	12
10		1031665	Screw, Shoulder Hex Socket Head (3/8 x 1-1/2", 5/16-18)	1	4
11	F	1050293	Bar, Spreader, Black (14-20" W)	1	1
11	G	1050294	Bar, Spreader, Black (21-24" W)	1	1
12		1024713	Spring, Torsion w/ Button	1	2
13	C	1025714	Screw, Phillips Pan Head (#10-32 x 1-1/8")	1	2
13	B	1091417-NLA	NLA - Screw, Phillips Pan Head (#10-24 x 1-1/4")	1	2
14		1021260	Tie Wrap (5-5/8" L)	1	6
15		1025736	Locknut (1/4-20)	1	2
16		1026907	Washer (1/4 x 1/2 x 1/16")	1	2
17		1026158	Locknut (5/16-18)	1	4
18		1025704	Washer, Flat (5/16 x 5/8 x 1/16")	1	4
19	H	1053178-NLA	NLA - Switch Assembly, Limit	1	1
20		1008525-NLA	NLA - Washer, Internal Tooth Lock (#4-40)	1	5
21		1025116-NLA	NLA - Screw, Slotted Hex Washer Head Tap (#4-3/8")	1	5
22		1024001	Sensor, Actuator Switch	1	1
23		1050310-NLA	NLA - Clamp, Cable	1	1
24		1021260	Tie Wrap (5-5/8" L)	1	2
25		1092913-NLA	NLA - Cable, Drive Lockout Sensor	1	1

NOTE: A - When ordering cable assembly part # 1050214 for chairs made before 2/1/00, item 13 part # 1091417 must be ordered.
 B - Lever fastener changed 2/1/00 from a "10-32 threaded insert" to a "10-24 tinnerman nut" for item 4 part # 1050214.
 C - Used only for cable assembly part # 1050214 thru 1/31/00.
 D - Standard 250 lb. capacity
 E - Heavy Duty 400 lb. capacity
 F - 14" - 17" Wide
 G - 18" - 24" Wide
 H - Includes items 20-24. Sensor cable is not included, see item 25
 I - 26" High Canes
 J - 22-24" High Canes
 K - 18 and 20" High Canes

Back Cane with Grip

Recliner Back Assembly

Back Cane with Grip

Back Height	14"-15" W Right	14"-15" W Left	16"-17" W Right	16"-17" W Left	18"-24" W Right	18"-24" W Left
18" H	1053272-NLA	1053273-NLA	1052079	1052080	1052089	1052090
20" H	1053274-NLA	1053275-NLA	1052081	1052082	1052091	1052092
22" H	1053276-NLA	1053277-NLA	1052083	1052084	1052093	1052094
24" H	1053278-NLA	1053279-NLA	1052085	1052086	1052095	1052096
26" H	1053280-NLA	1053281-NLA	1052087	1052088	1052097	1052098