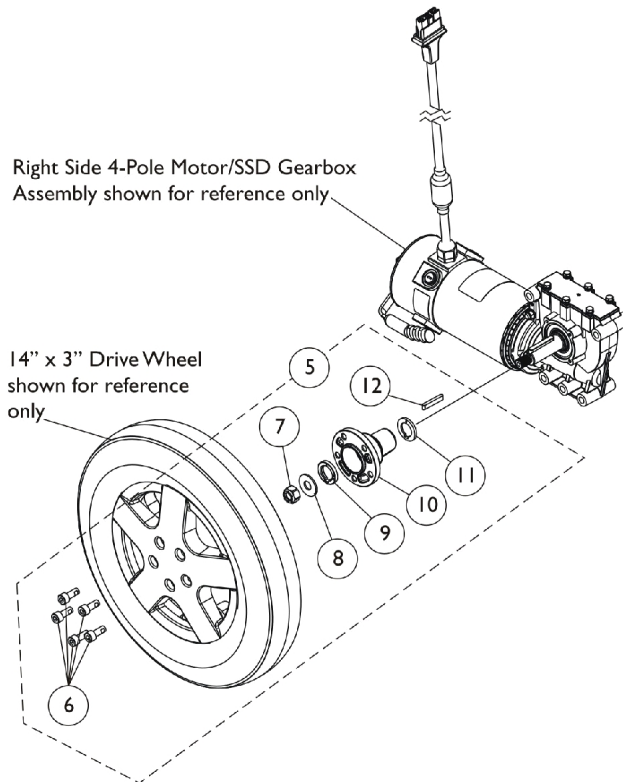
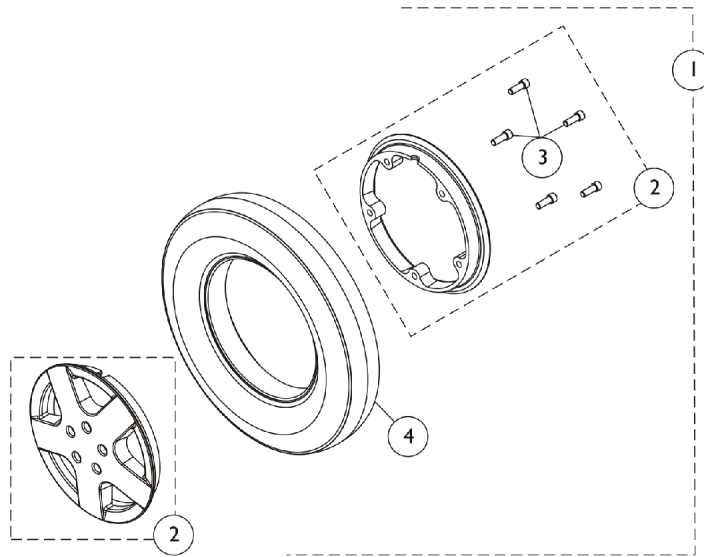


# Drive Wheels and Mounting Hardware (14" x 3") TDX SP/SP-GT (After 3/15/11) (Canada After 6/30/11)



## Drive Wheels and Mounting Hardware (14" x 3") TDX SP/SP-GT (After 3/15/11) (Canada After 6/30/11)

Item Number	Note	Part Number	Description	Quantity Per	
				Package	Assembly
1	A,C,J,J 1	1144660-NLA	NLA - Drive Wheel Assembly, w/ Flat Free, Grey Tire/Black Rim (14" x 3")	1	1
1	A	1178834	Drive Wheel Assembly, Flat Free Gel Foam, Grey Tire/Black Rim (14" x 3")	1	1
1	A,D,G	1167685	Drive Wheel Assembly, Flat Free Gel Foam, Grey Tire/Silver Rim (14" x 3")	1	1
1	A,H,K	1144653-NLA	NLA - Drive Wheel Assembly, Pneumatic, Grey Tire/Black Rim (14 x 3")	1	1
1	A,I	1176911	Drive Wheel Assembly, Pneumatic, Grey Tire/Black Rim (14" x 3")	1	1
1	A,F	1176609	Drive Wheel Assembly, Pneumatic, Grey Tire/Silver Rim (14 x 3")	1	1
2	E	1121707-NLA	NLA - Kit, 8" Rim w/ Hardware (14" x 3" Wheel)	1	1
4		1039652	Tire, Pneumatic, Grey (14" x 3")	1	1
4		1039651	Tube, Inner, Black (14 x 3")	1	1
4	L	1141342	Tire w/ Foam Fill Insert, Grey (14" x 3")	1	1
5	B	1168891	Kit, 4-Pole Motor Drive Wheel Mounting Hardware (14" x 3")	1	1
6			Screw, Socket Head w/ Patch (M8 x 1.25 x 25mm)	1	5
7			Locknut (M12 x 1.5)	1	1
8			Washer, Plain (12.38mm x 30mm x 2mm)	1	1
9			Spacer, Hub (5mm)	1	1
10			Hub, Wheel (14" x 3")	1	1
11			Spacer, Hub (3mm)	1	1
12			Key (6mm x 6mm x 40mm)	1	1

NOTE:

- A - Includes items 2-4
- B - Includes items 6-12.
- C - Used for all 301-400 Lb. user weight models Before 4/11/12 and 300 Lb. user weight models before 3/1/12
- D - After 2/29/12. 14" x 3" Wheel changed from Grey Tire/Black Rim to Grey Tire/Silver Rim and Flat Free Foam to Flat Free Gel Foam material. Sold complete.
- E - Sold complete. Includes the Rims and (5) ea. Socket Head Screws w/ Patch (5/16-18 x 7/8"). Part #1121707 Rim w/ Hardware is used for Item #1 Drive Wheel part #'s 1144660 and 1144653 only.
- F - After 6/3/12. 14" x 3" Wheel changed from Grey Tire/Black Rim to Grey Tire/Silver Rim. Used for all user weight models. Tire and Tube still available for individual sale.
- G - Used for 301-400 Lb. user weight models After 4/10/12 and 300 Lb. user weight models After 2/29/12. Sold complete.
- H - Used for all user weight models Before 4/10/12.
- I - Used for all user weight models 4/10/12-6/3/12. Item sold complete with metric rim hardware. Tire and Tube still available for individual sale.
- J - Part #1144660 is No longer Available. Use part #1178834 as a replacement that is sold complete with Grey Tire/Black Rim, Metrics Hardware and Flat Free Gel Foam material.
- J1 - It is recommended to order in pairs because of the flat free foam density difference.
- K - Part #1144653 is No Longer Available. Use part #1176911 as a replacement. This item has Metric Rim Hardware. Tire and Tube still available for individual sale.
- L - 14" x 3" Tire w/ Soft Density Flat Free Gel foam (yellow) is not available for item #1 part number 1178834 and 1167685. Customer can use the Tire w/ Hard Density Flat Free foam (green) part #1141342. It is recommended to order in pairs to match.