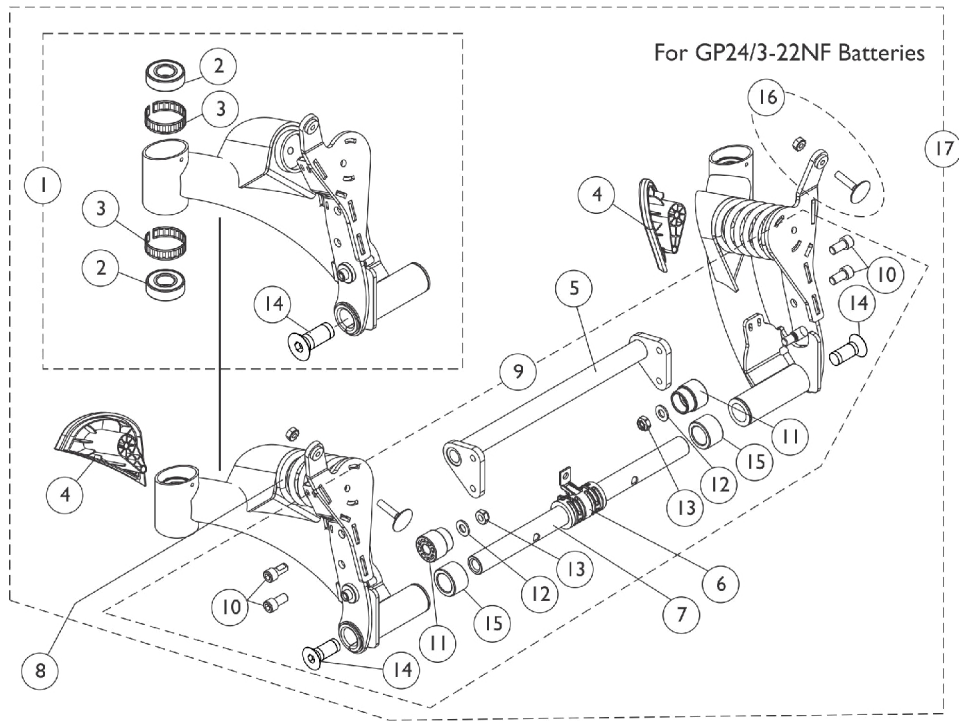
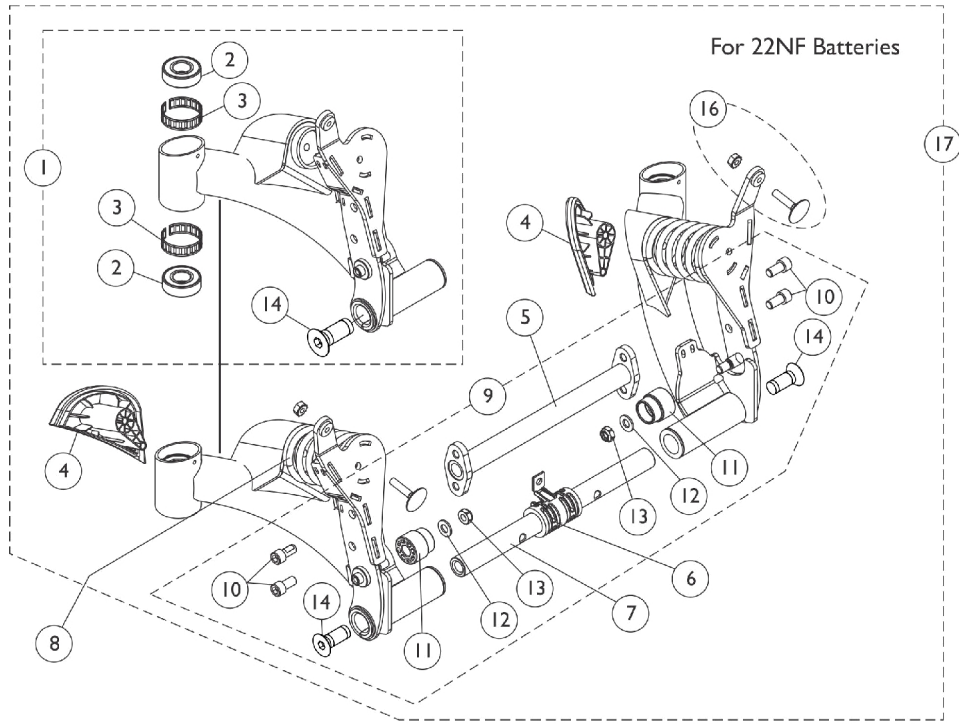


Rear Pivot Assembly - After 9/6/07 (For 22NF & GP24/3-22NF Batteries)



Rear Pivot Assembly - After 9/6/07 (For 22NF & GP24/3-22NF Batteries)

Item Number	Note	Part Number	Description	Quantity Per	
				Package	Assembly
1	A	8881165996	Swing Arm Assembly w/ Hardware, Color, Rear - Right	1	1
2			Bearing (5/8")	1	2
3			Ring, Tolerance	1	2
14			Screw, Socket Flat Head w/ Patch (1/2-13 x 1-1/4")	1	1
1	A	8881165997	Swing Arm Assembly w/ Hardware, Color, Rear - Left	1	1
2			Bearing (5/8")	1	2
3			Ring, Tolerance	1	2
14			Screw, Socket Flat Head w/ Patch (1/2-13 x 1-1/4")	1	1
2		40117X006	Bearing (5/8")	1	2
3		1110717	Ring, Tolerance	1	2
4		1142312	Cap, Rear, Black - Right	1	1
4		1142313	Cap, Rear, Black - Left	1	1
5	B	1142287	Crossmember, Pivot, Black	1	1
5	C	1146643	Crossmember, Pivot, Black	1	1
6		1144672	Center Bushing Assembly	1	1
7	B	1149581-NLA	NLA - Bar, Pivot	1	1
7	B	1155018	Bar, Pivot	1	1
7	C	1149587-NLA	NLA - Bar, Pivot	1	1
7	C	1155020	Bar, Pivot	1	1
8	D,I	1113186	Spring, Light Yellow, Non-Heavy Duty	1	2
8	E,J	1113187	Spring, Sunny Yellow, Heavy Duty	1	2
8	F,K	1125645-NLA	NLA - Spring, Dark Yellow, EXTRA Heavy Duty	1	2
8	L	1177688	Spring, Dark Silver, Non-Heavy Duty	1	2
8	M	1177690	Spring, Medium Silver, Heavy Duty	1	2
8	N	1177689	Spring, Light Silver, EXTRA Heavy Duty	1	2
9	G	1145067	Kit, Pivot Assembly Hardware	1	1
10			Screw, Socket Head w/ Patch (5/16-18 x 5/8")	1	4
11			Stop, Nylon	1	2
12			NLA - Washer, Steel (5/16 x 5/8 x 1/16")	1	2
13			Locknut (5/16-18)	1	2
14			Screw, Socket Flat Head w/ Patch (1/2-13 x 1-1/4")	1	2
15			Spacer, Nylon (3/4" x 1-1/4" x 23/32")	1	2
16		1144595	Kit, Elevator Bolt w/ Keps Nut (1/4-20)	1	2
17	H	8881151915	Pivot Assembly, Color - Rear (For 22NF Battery Box)	1	1
17	H	8881151916	Pivot Assembly, Color - Rear (For GP24/3-22NF Battery Box)	1	1

Rear Pivot Assembly - After 9/6/07

(For 22NF & GP24/3-22NF Batteries)

NOTE: A - Includes the Swing Arm Assembly and items 2, 3 and 14. Specify frame color when ordering. See page titled "Frame Finishes and Touch-Up Paints".

B - Used for 22NF Battery Box

C - Used for GP24/3-22NF Battery Box

D - Spring color changed from Sunny Yellow to Light Yellow 3/22/10. It is recommended to order springs in pairs to match color and maintain equal spring tension on both sides of the wheelchair

E - Spring color remains the same for this part number. It is recommended to order springs in pairs to maintain equal spring tension on both sides of the wheelchair

F - Spring color changed from Sunny Yellow to Dark Yellow 3/22/10. It is recommended to order springs in pairs to match color and maintain equal spring tension on both sides of the wheelchair

G - Includes items 10-15

H - Includes items 1, 4-7, 9 and 16. Specify frame color when ordering. See page titled "Frame Finishes and Touch-Up Paints".

I - Used for ALL 300 Lb. user weight models Before 3/1/12 with Non-Power Seating.

J - Used for 301-400 Lb. user weight models Before 4/11/12 with Non-Power Seating or ALL user weight models with Power Seating that excludes the Vent Tray option.

K - Used for ALL user weight models Before 3/1/12 with Power Seating that includes the Vent Tray Option.

L - Used for ALL 300 Lb. user weight models After 2/29/12 with Non-Power Seating.

M - Used for 301-400 Lb. user weight models After 4/10/12 with Non-Power Seating or ALL user weight models with Power Seating that excludes the Vent Tray option.

N - Used for ALL user weight models After 2/29/12 with Power Seating that includes the Vent Tray Option.