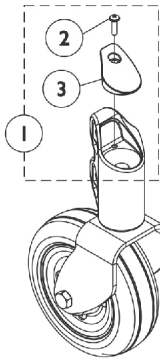
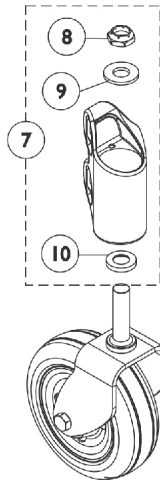


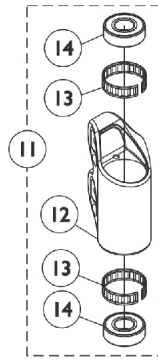
Caster - 6" Front and Rear



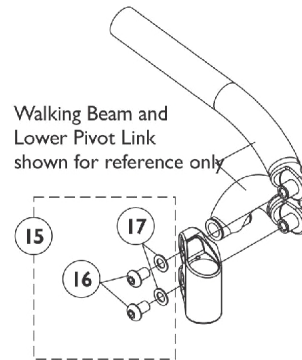
Front Head Tube Cap



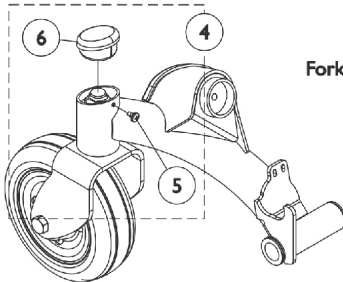
Fork Mounting Hardware Front and Rear



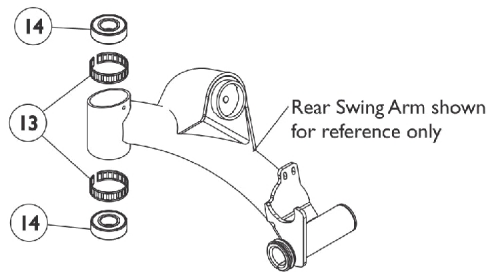
Front Head Tube Assembly



Front Caster Head Tube Mounting Hardware

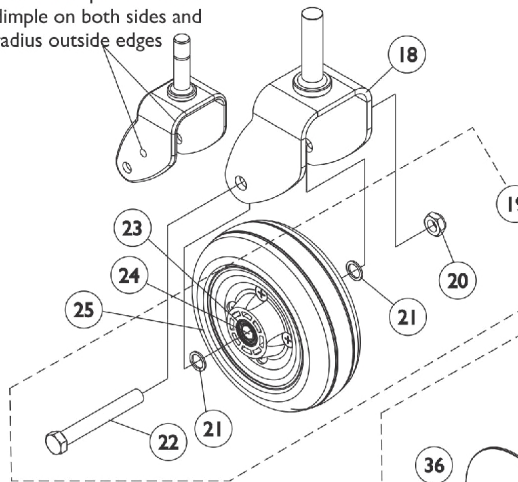


Rear Head Tube Cap

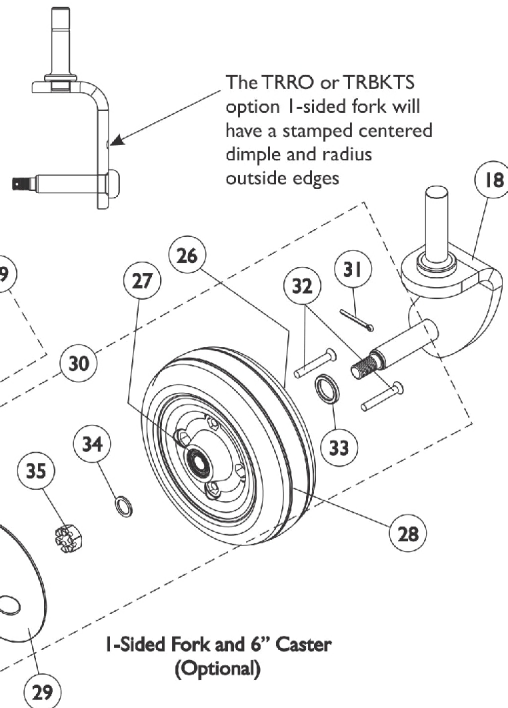


Rear Head Tube Bearings and Tolerance Rings

The TRRO or TRBKTS option 2-sided fork will have a stamped centered dimple on both sides and radius outside edges



2-Sided Fork and 6" Caster (Standard)



1-Sided Fork and 6" Caster (Optional)

Caster - 6" Front and Rear

Item Number	Note	Part Number	Description	Quantity Per	
				Package	Assembly
1	A	1142342	Kit, Cap with Screw, Front Head Tube - Right	1	1
2			Screw, Phillips Pan Head (#10-32 x 11/16")	1	1
3			Cap, Front Head Tube, Black - Right	1	1
1	A	1142343	Kit, Cap with Screw, Front Head Tube - Left	1	1
2			Screw, Phillips Pan Head (#10-32 x 11/16")	1	1
3			Cap, Front Head Tube, Black - Left	1	1
4	B	1142338	Kit, Cap with Screw, Rear Head Tube - Right/Left	1	1
5			Screw, Phillip Pan Head (#10-16 x 3/8")	1	1
6			Cap, Head Tube	1	1
7	C	1110684	Kit, Fork Mounting Hardware	1	1
8			Locknut (5/8-18)	1	1
9			Washer, Nylon (5/8 x 1-5/16 x 1/8")	1	1
10			Spacer, Stem (5/8 x 1-1/8 x 3/16")	1	1
11	D	1142340	Kit, Front Head Tube Assembly - Right	1	1
12			Tube, Head - Right	1	1
13			Ring, Tolerance	1	2
14			Bearing (5/8")	1	2
16			Screw, Socket Button Head Cap w/ Patch (1/2-13 x 7/8")	1	2
11	K	1153859	Kit, Front Head Tube Assembly - Right	1	1
12			Tube, Head - Right	1	1
13			Ring, Tolerance	1	2
14			Bearing (5/8")	1	2
16			Screw, Socket Button Head Cap w/ Patch (1/2-13 x 7/8")	1	2
11	D	1142341	Kit, Front Head Tube Assembly - Left	1	1
12			Tube, Head - Left	1	1
13			Ring, Tolerance	1	2
14			Bearing (5/8")	1	2
16			Screw, Socket Button Head Cap w/ Patch (1/2-13 x 7/8")	1	2
11	K	1153860	Kit, Front Head Tube Assembly - Left	1	1
12			Tube, Head - Left	1	1
13			Ring, Tolerance	1	2
14			Bearing (5/8")	1	2
16			Screw, Socket Button Head Cap w/ Patch (1/2-13 x 7/8")	1	2
13		1110717	Ring, Tolerance	1	2
14		40117X006	Bearing (5/8")	1	2
15	E	1145066	Kit, Front Head Tube Mounting Hardware	1	1
16			Screw, Socket Button Head Cap w/ Patch (1/2-13 x 7/8")	1	2
17			Washer, Nylon (1/2 x 7/8 x 1/16")	1	2
18		1110683	Fork and Stem, 2-Sided - Right/Left	1	1
18	J	1141020	Fork and Stem, 2-Sided, TRRO/TRBKTS - Right/Left	1	1
18	F,L	1113123	Fork and Stem, 1-Sided - Right	1	1
18	F,L	1113124	Fork and Stem, 1-Sided - Left	1	1

Caster - 6" Front and Rear

Item Number	Note	Part Number	Description	Quantity Per	
				Package	Assembly
18	F,I,L	1141005	Fork and Stem, 1-Sided, TRRO/TRBKTS - Right	1	1
18	F,I,L	1141006	Fork and Stem, 1-Sided, TRRO/TRBKTS - Left	1	1
19	G	1110708	Kit, Caster Mounting Hardware	1	1
20		1025734	Locknut (7/16-20)	1	1
21		1025724	Washer, Steel (15/32 x 5/8 x 3/64")	1	2
22		1025726	Screw, Hex Head (7/16-20 x 3-1/4")	1	1
23		1006049	Bearing (7/16")	1	2
24		1020592	Spacer, Bearing (7/16 x 5/8 x 1-3/4")	1	1
25	M,P	1115179	Wheel Assembly, Semi-Pneumatic, Urethane, Deep Profile, Grey Tire/Black Hub (6" x 2")	1	1
25	M,P	1122066	Wheel Assembly, Semi-Pneumatic, Urethane, Deep Profile, Grey Tire/Black Hub (6" x 2") (Pair)	2	1
25	O,Q	1175881	Wheel Assembly, Urethane, Deep Profile, Grey Tire/Silver Hub (6" x 2")	1	1
25	O,Q	1180077	Wheel Assembly, Urethane, Deep Profile, Grey Tire/Silver Hub (6" x 2") (Pair)	2	1
26		40117X006	Bearing (5/8")	1	1
27		1006049	Bearing (7/16")	1	1
28	N	1110715	Wheel Assembly, Semi-Pneumatic, Urethane, Deep Profile, Grey Tire/Black Hub (6" x 2")	1	1
28	N	1122067	Wheel Assembly, Semi-Pneumatic, Urethane, Deep Profile, Grey Tire/Black Hub (6" x 2") (Pair)	2	1
29		1105854	Cap, Hub, Black	1	1
30	H	1108561	Hardware, Caster	1	1
31		1105852	Pin, Cotter (7/64 x 1")	1	1
32		1115246	Screw, Phillips Flat Head (M6 x 1 x 45mm)	1	2
33		1108005	Spacer, Steel (5/8 x 7/8 x 1/8")	1	1
34		1025724	Washer, Steel (15/32 x 5/8 x 3/64")	1	1
35		1107168-NLA	NLA - Nut, Hex Slotted (7/16-20)	1	1
36		1107698	Locknut (M6 x 1)	1	2

NOTE:

- A - Includes items 2 and 3
- B - Includes items 5 and 6
- C - Includes items 8-10
- D - Includes items 12-14 and 16. Used for TDX SP only. The Front Head Tube contains two plastic flange bearings (not shown) that are press fitted into place and not sold separately
- E - Includes items 16-17
- F - When 1-sided forks are used, they are assembled in the front and rear of the power chair
- G - Includes items 20-22
- H - Includes items 31-36
- I - The TRRO or TRBKTS option 1-sided fork will have a stamped centered dimple and radius outside edges
- J - The TRRO or TRBKTS option 2-sided fork will have stamped centered dimple on both sides and radius outside edges
- K - Includes items 12-14 and 16. Used for TDX SR only. The Front Head Tube contains two metal flange bearings (not shown) that are press fitted into place and not sold separately
- L - One-Sided Forks are standard with GB Motors and optional for 4-Pole motors.
- M - Includes the Wheel Assembly plus items 23 and 24 also. Used only with the two sided forks. Grey Tire/Black Hub used Before 6/4/12.
- N - Includes the Wheel Assembly plus items 26 and 27 also. Used only with the one sided forks.
- O - After 6/3/12 Caster changed from Grey Tire/Black Hub to Grey Tire/Silver Hub. Includes the Wheel Assembly plus items 23 and 24 also. Used only with the two sided forks.
- P - Used for all 301-400 Lb. user weight models Before 4/11/12 and 300 Lb. user weight models Before 3/1/12.
- Q - Used for all 301-400 Lb. user weight models After 4/10/12 and 300 Lb. user weight models After 2/29/12.