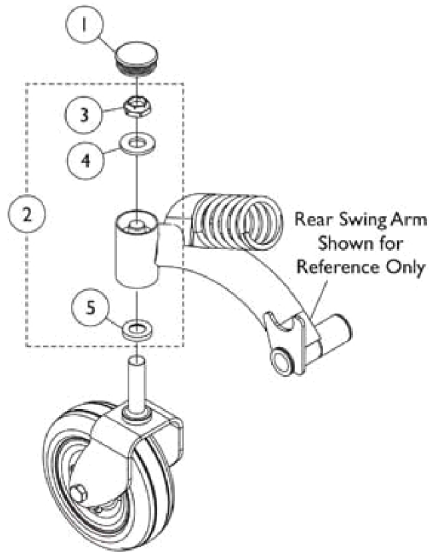
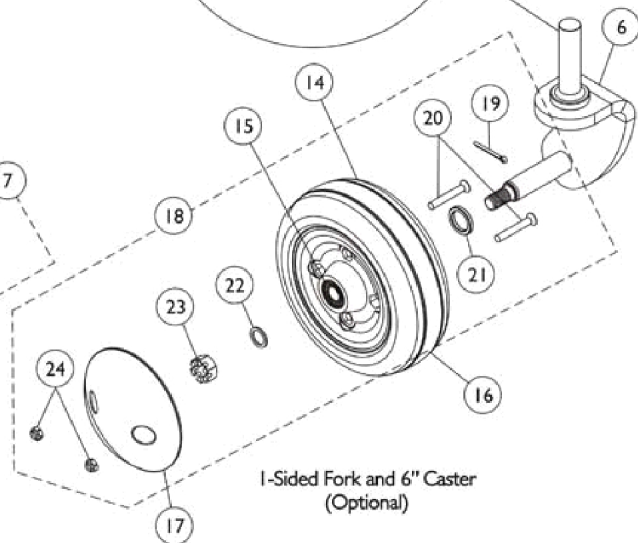
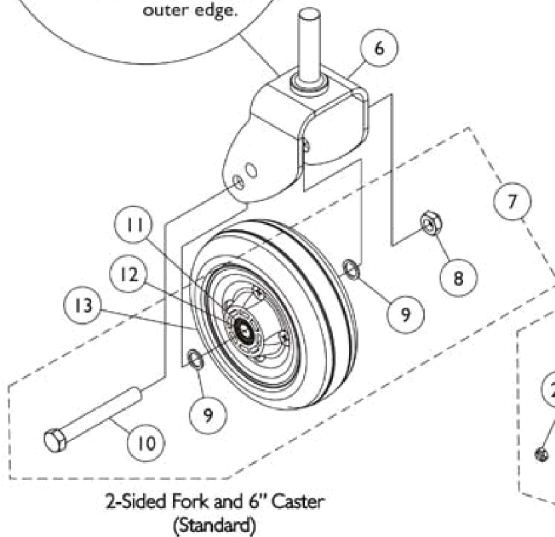
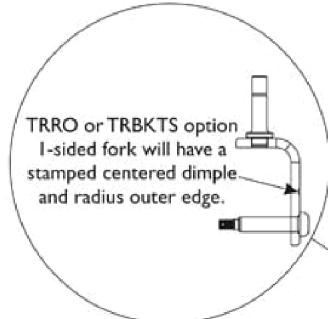
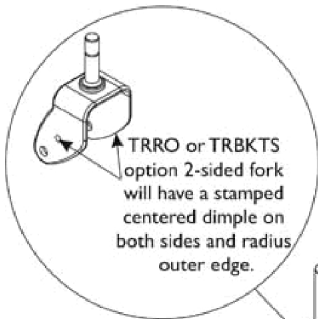
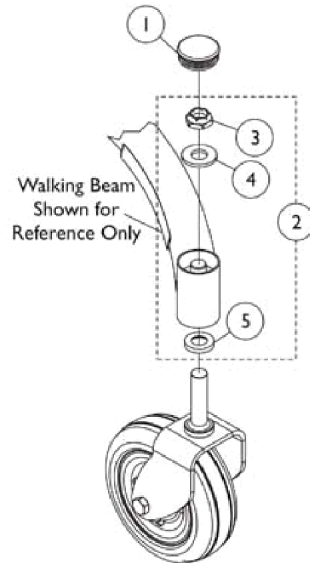


Caster and Forks, 6" Front and Rear

**Rear Fork
Mounting Hardware
and Head Tube Cap**



**Front Fork
Mounting Hardware
and Head Tube Cap**



Caster and Forks, 6" Front and Rear

Item Number	Note	Part Number	Description	Quantity Per	
				Package	Assembly
1		1110709	Cap, Head Tube, Black	1	1
2	A	1110684	Kit, Fork Mounting Hardware	1	1
3			Locknut (5/8-18)	1	1
4			Washer, Nylon (5/8 x 1-5/16 x 1/8")	1	1
5			Spacer, Stem (5/8 x 1-1/8 x 3/16")	1	1
6		1110683	Fork and Stem, 2-Sided - Right/Left	1	1
6	B	1141020	Fork and Stem, 2-Sided, TRRO/TRBKTS - Right/Left	1	1
6	C	1113123	Fork and Stem, 1-Sided - Right	1	1
6	C	1113124	Fork and Stem, 1-Sided - Left	1	1
6	C,D	1141005	Fork and Stem, 1-Sided, TRRO/TRBKTS - Right	1	1
6	C,D	1141006	Fork and Stem, 1-Sided, TRRO/TRBKTS - Left	1	1
7	E	1110708	Kit, Caster Mounting Hardware	1	1
8		1025734	Locknut (7/16-20)	1	1
9		1025724	Washer, Steel (15/32 x 5/8 x 3/64")	1	2
10		1025726	Screw, Hex Head (7/16-20 x 3-1/4")	1	1
11		1006049	Bearing (7/16")	1	2
12		1020592	Spacer, Bearing (7/16 x 5/8 x 1-3/4")	1	1
13	G,I	1115179	Wheel Assembly, Semi-Pneumatic, Urethane, Deep Profile, Grey Tire/Black Hub (6" x 2")	1	1
13	G,I	1122066	Wheel Assembly, Semi-Pneumatic, Urethane, Deep Profile, Grey Tire/Black Hub (6" x 2") (Pair)	2	1
13	J	1175881	Wheel Assembly, Urethane, Deep Profile, Grey Tire/Silver Hub (6" x 2")	1	1
13	J	1180077	Wheel Assembly, Urethane, Deep Profile, Grey Tire/Silver Hub (6" x 2") (Pair)	2	1
14		40117X006	Bearing (5/8")	1	1
15		1006049	Bearing (7/16")	1	1
16	H	1110715	Wheel Assembly, Semi-Pneumatic, Urethane, Deep Profile, Grey Tire/Black Hub (6" x 2")	1	1
16	H	1122067	Wheel Assembly, Semi-Pneumatic, Urethane, Deep Profile, Grey Tire/Black Hub (6" x 2") (Pair)	2	1
17		1105854	Cap, Hub, Black	1	1
18	F	1108561	Hardware, Caster	1	1
19		1105852	Pin, Cotter (7/64 x 1")	1	1
20		1115246	Screw, Phillips Flat Head (M6 x 1 x 45mm)	1	2
21		1108005	Spacer, Steel (5/8 x 7/8 x 1/8")	1	1
22		1025724	Washer, Steel (15/32 x 5/8 x 3/64")	1	1
23		1107168-NLA	NLA - Nut, Hex Slotted (7/16-20)	1	1
24		1107698	Locknut (M6 x 1)	1	2

NOTE: A - Includes items 3-5.
 B - TRRO or TRBKTS option 2-sided fork will have stamped centered dimple on both sides and radius outside edges.
 C - When 1-sided forks are used, they are assembled in the front and rear of the power chair.
 D - The TRRO or TRBKTS option 1-sided fork will have a stamped centered dimple and radius outside edges.
 E - Includes items 8-10.
 F - Includes items 19-24.
 G - Includes the Wheel Assembly plus items 11 and 12 also. Used only with the two sided forks.
 H - Includes the Wheel Assembly plus items 14 and 15 also. Used only with the one sided forks.
 I - Before 6/4/12
 J - After 6/3/12