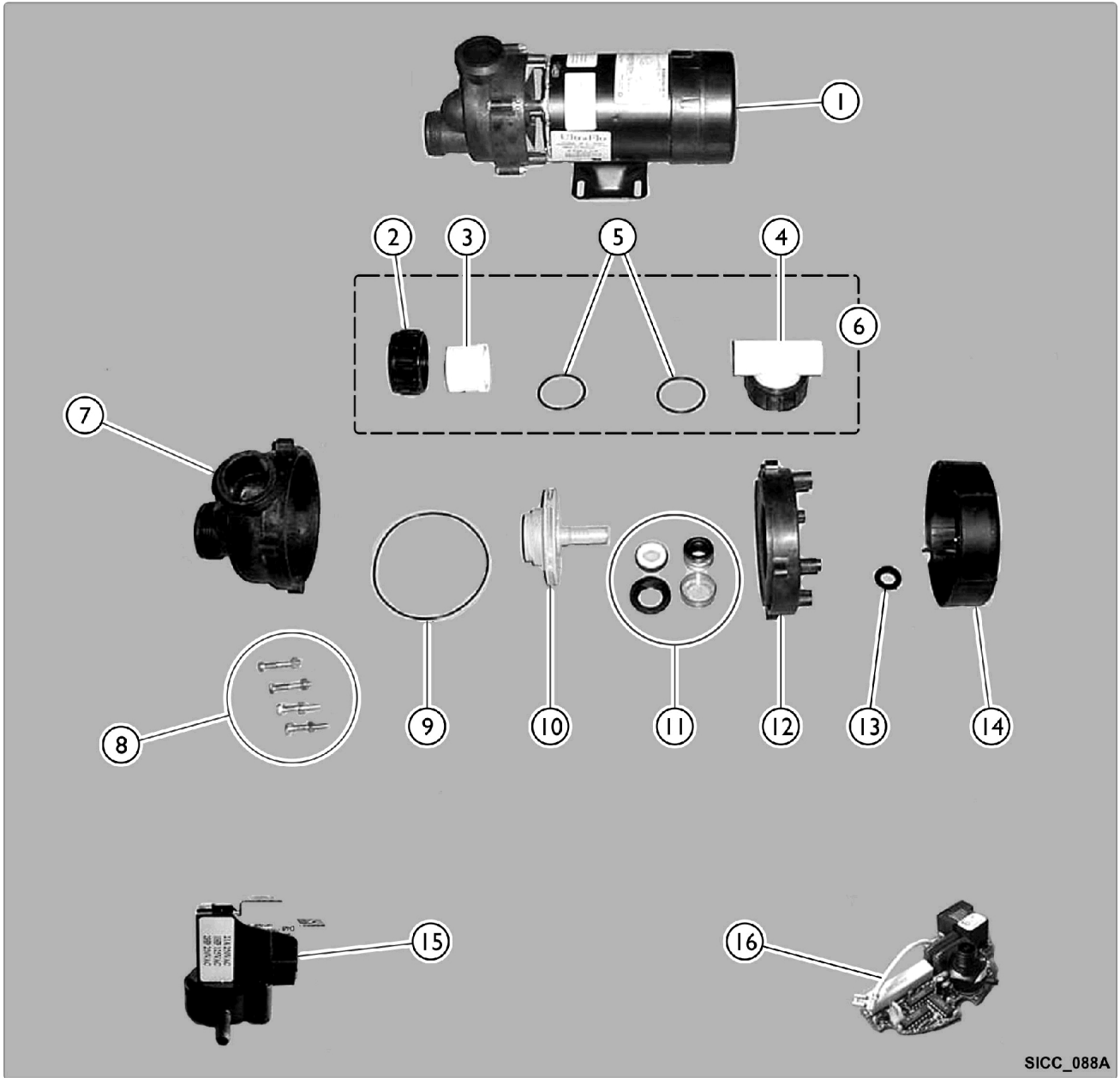


Pump

Ultra Flow (Effective February 1991)



Pump

Item Number	Note	Part Number	Description	Quantity Per	
				Package	Assembly
1		PAR5295A-NLA	NLA - Pump, 3/4HP / 110V, with Air Switch	1	1
2		PAR5295K-NLA	NLA - Nut, Union	1	1
3		PAR5295J-NLA	NLA - FE Piece	1	1
4		PAR5295I	Union "T"	1	1
5		PAR5295L-NLA	NLA - O-Ring	1	1
6	A	PAR5295C-NLA	NLA - Union and "T" Set Assembly	1	1
7		PAR5295H-NLA	NLA - Volute Front	1	1
8		PAR5295M-NLA	NLA - Bolt and Nut	1	1
9		PAR5295E-NLA	O-Ring	1	1
10		PAR5295G-NLA	Impellor	1	1
11		PAR5295B-NLA	Seal Assembly	1	1
12		PAR5295D-NLA	NLA - Volute Back	1	1
13		PAR5295F-NLA	NLA - Slinger	1	1
14		IHPAR5295Z-NL A	NLA - Cover, Motor Dust	1	1
15		IHPAR5295N-NL A	NLA - Switch, Air	1	1
16		IHPAR5295O-NL A	NLA - Switch, Air w/ Load Sensor Board	1	1

NOTE: A - Also includes Items 2 (Union Nut), 3 (FE Piece), 4 (T Union), and 5 (O-Ring)