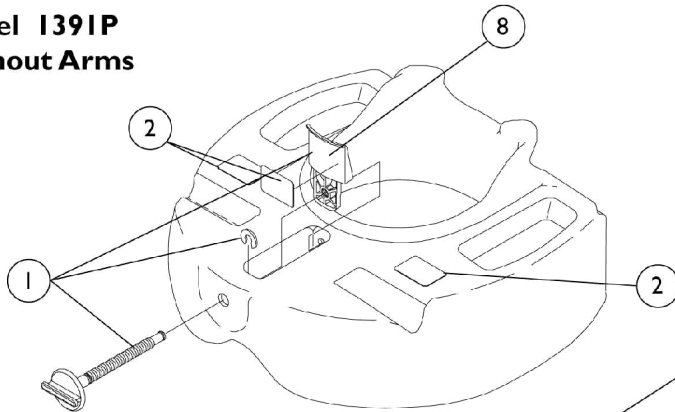


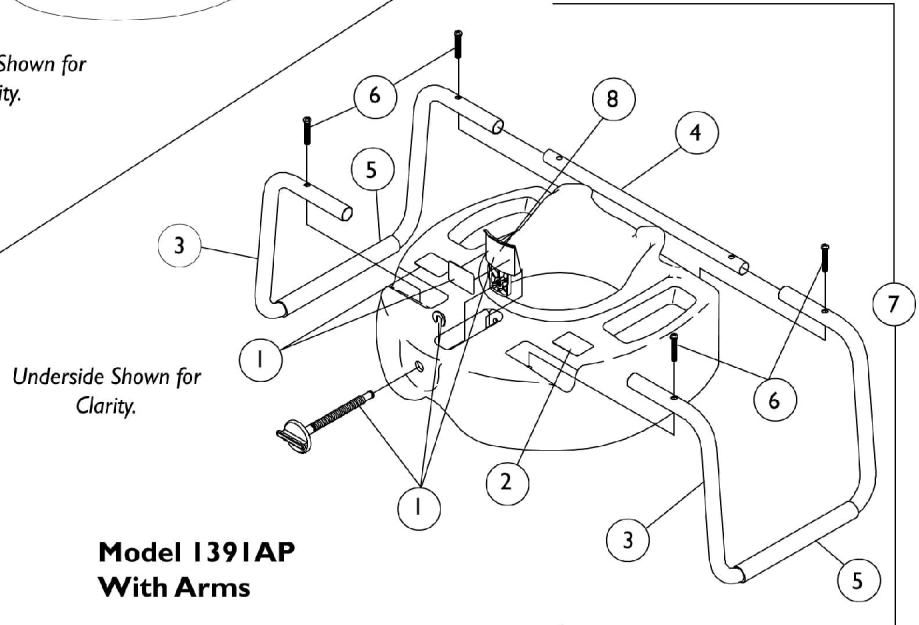
Raised Toilet Seat

Models 1391AP and 1391P

**Model 1391P
Without Arms**



*Underside Shown for
Clarity.*



*Underside Shown for
Clarity.*

**Model 1391AP
With Arms**

Raised Toilet Seat Models 1391AP and 1391P

Item Number	Note	Part Number	Description	Quantity Per	
				Package	Assembly
1	A	1048671-NLA	NLA - Kit, Replacement Hardware	1	1
			Bracket, Adjustment, Gray	1	1
			Clip, Retaining	1	1
			Knob, Adjustment, Grey	1	1
2		1048672-NLA	NLA - Pads, Non-Skid	1	3
3		1036153-NLA	NLA - Tube, Arm, Raised Toilet Seat	1	2
4		1036231-NLA	NLA - Tube, Insert	1	1
5		1036155-NLA	NLA - Pad, Arm, Foam, Grey	1	2
6		1008665-NLA	NLA - Screw, Phillips Pan Head (1/4-20 x 1-1/4")	1	4
7	B	1391KIT-NLA	NLA - Arm Assembly, Complete	1	1
8	C	1073914-NLA	NLA - Adjustment Bracket Assembly, White	1	1

NOTE: A - Kit Includes (1) each Adjustment Bracket, Retaining Clip and Adjustment Knob.
 B - Includes Items 3-6.
 C - Includes Adjustment Bracket and Non-Skid Pad.