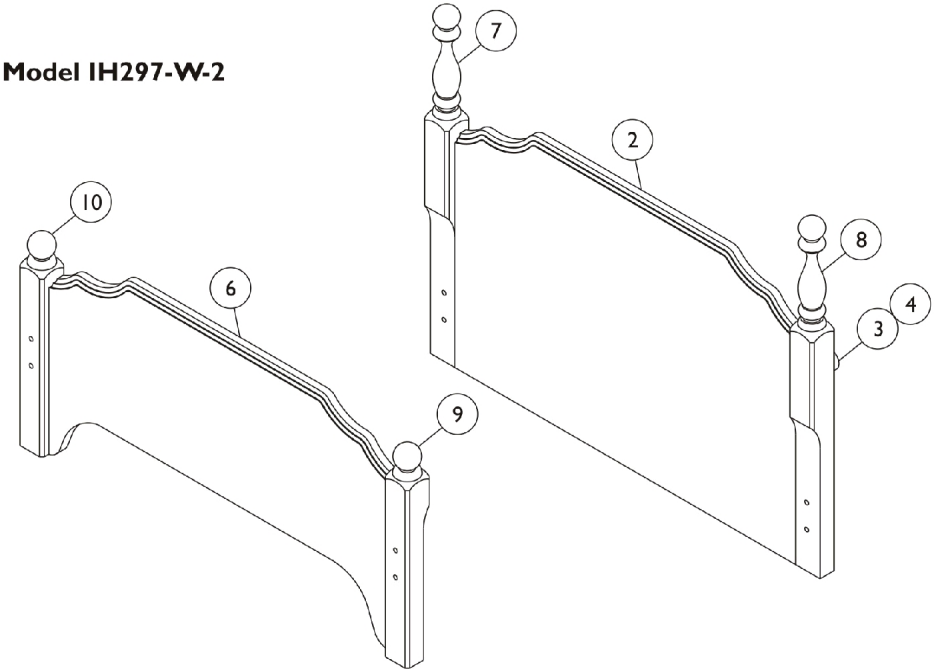
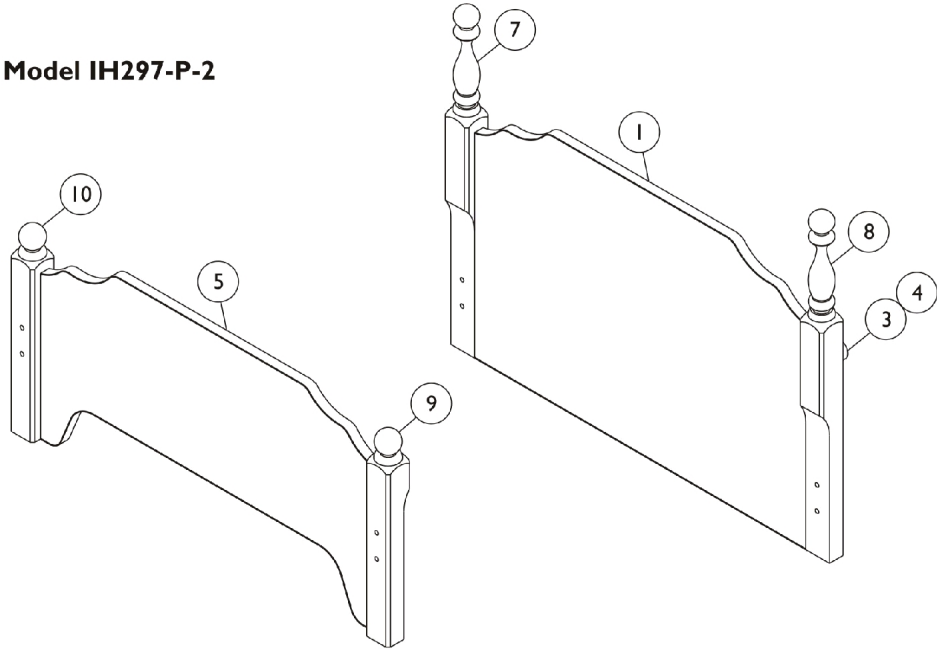


Bedend Assembly - Medium Post Headboard/Low Post Footboard

(Models IH297-P-2 and IH297-W-2)



Bedend Assembly - Medium Post Headboard/Low Post Footboard (Models IH297-P-2 and IH297-W-2)

Item Number	Note	Part Number	Description	Quantity Per	
				Package	Assembly
1		A024957	Headboard Assembly	1	1
2		A024979	Headboard Assembly	1	1
3		IHB001637	Bumper, Recess, Grey	1	2
4		IHB004149	Screw, Phillips Pan Head (#8 x 5/8")	1	2
5	C	A024954	Footboard Assembly with Cut Out	1	1
	C,A	A024958	Footboard Assembly without Cut Out	1	1
6	D	A024977	Footboard Assembly with Cut Out	1	1
	A,D	A024981	Footboard Assembly without Cut Out	1	1
7		IHA016539	Headboard Assembly, Medium Post - Right	1	1
8		IHA016538	Headboard Assembly, Medium Post - Left	1	1
9		IHA016536	Footboard Assembly, Low Post - Left	1	1
10		IHA016537	Footboard Assembly, Low Post - Right	1	1
	A,B	IHB017097	Cam, Shallow	1	12
	A,B	IHB007478	Washer, Plated (1/4")	1	8
	A,B	IHB014947	Bolt, Hex Head (20-1/4 x 1-1/2")	1	8
NOTE: A - Not Shown. B - Use with both Models IH297-P-2 and IH297-W-2. C - Use with Model IH297-P-2. D - Use with Model IH297-W-2.					