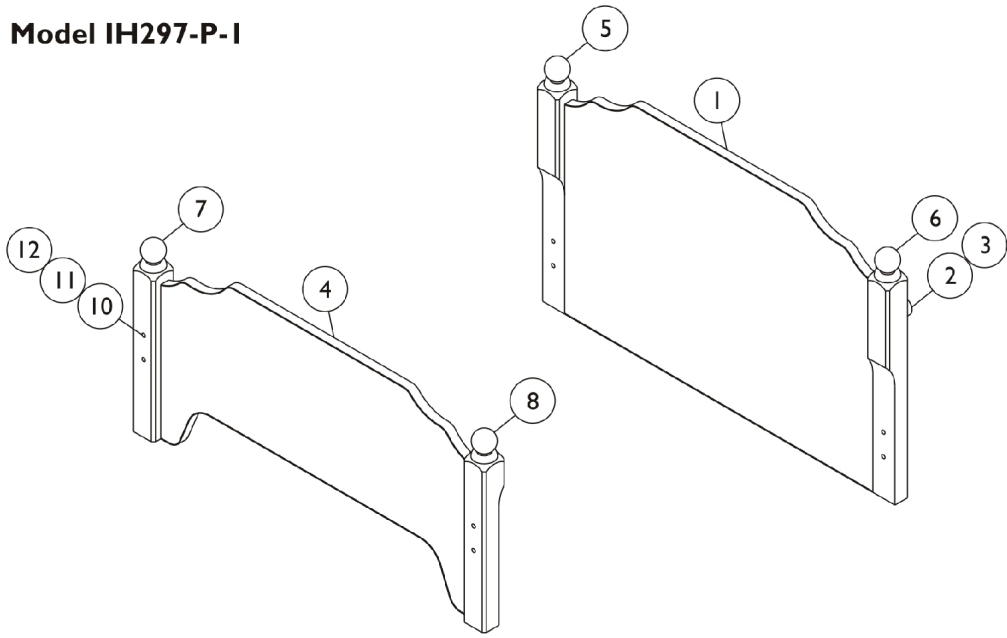


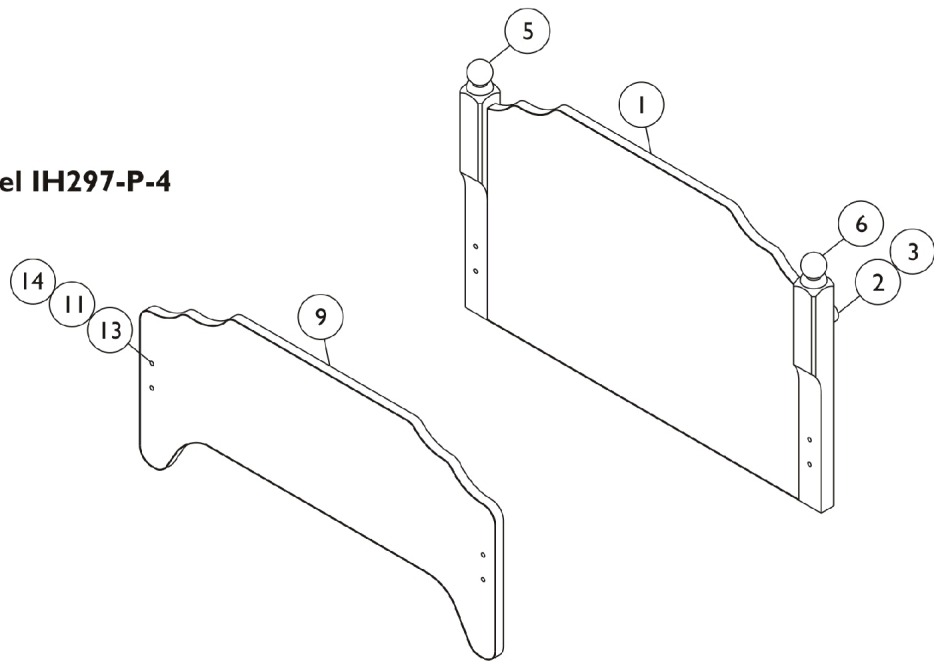
Bedend Assembly - Low Post

(Models IH297-P-1 and IH297-P-4)

Model IH297-P-1



Model IH297-P-4



Bedend Assembly - Low Post (Models IH297-P-1 and IH297-P-4)

Item Number	Note	Part Number	Description	Quantity Per	
				Package	Assembly
1	D	A024957	Headboard Assembly	1	1
2	D	IHB001637	Bumper, Recess, Grey	1	2
3	D	IHB004149	Screw, Phillips Pan Head (#8 x 5/8")	1	2
4	B	A024954	Footboard Assembly with Cut Out	1	1
	A,B	A024958	Footboard Assembly without Cut Out	1	1
5	D	IHA016534	Headboard Assembly, Low Post - Right	1	1
6	D	IHA016533	Headboard Assembly, Low Post - Left	1	1
7	B	IHA016537	Footboard Assembly, Low Post - Right	1	1
8	B	IHA016536	Footboard Assembly, Low Post - Left	1	1
9	C	IHA022678	Footboard Assembly with Cut Out	1	1
	A,C	A024953	Footboard Assembly without Cut Out	1	1
10	B	IHB017097	Cam, Shallow	1	12
11	D	IHB007478	Washer, Plated (1/4")	1	8
12	B	IHB014947	Bolt, Hex Head (20-1/4 x 1-1/2")	1	8
13	C	IHB002194	T-Nut, Cap (20-1/4")	1	4
14	C	IHB011312	Bolt, Hex Head (20-1/4 x 3/4")	1	4

NOTE: A - Not Shown.
B - Use with Model IH297-P-1.
C - Use with Model IH297-P-4.
D - Use with both Models IH297-P-1 and IH297-P-4.