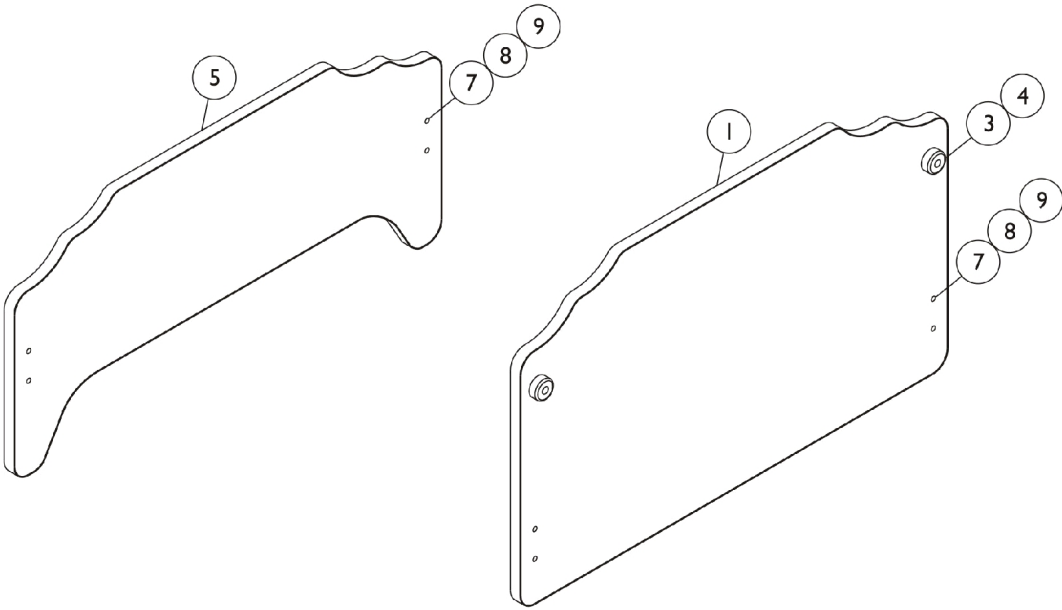
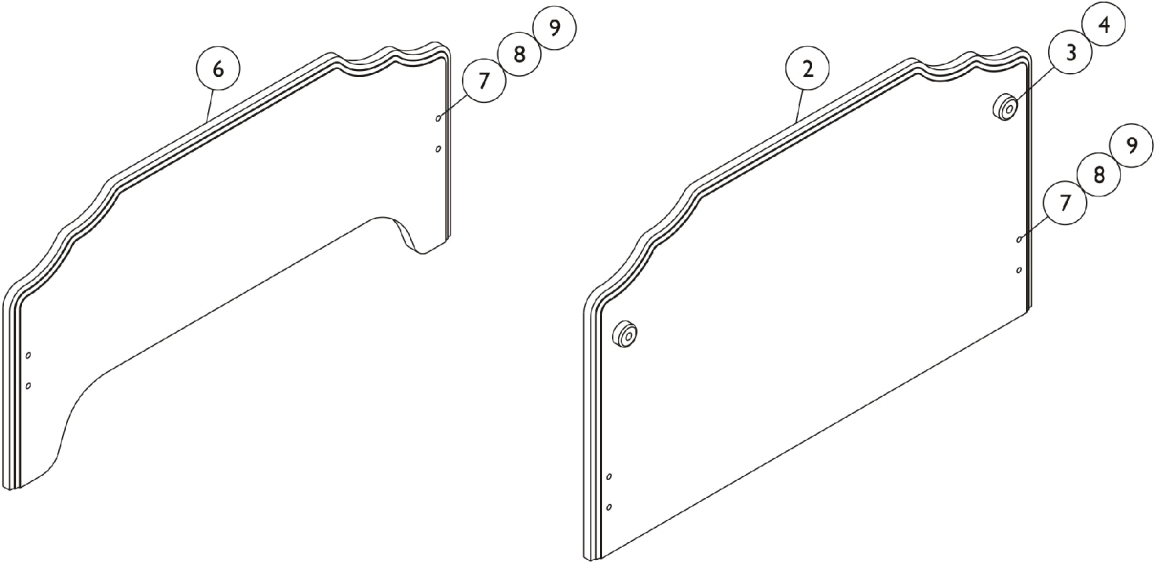


# Bedend Assembly (Models IH297-P and IH297-W)

Model IH297-P



Model IH297-W



## Bedend Assembly (Models IH297-P and IH297-W)

Item Number	Note	Part Number	Description	Quantity Per	
				Package	Assembly
1	B	IHA022674	Headboard Assembly	1	1
2	C	IHA022722	Headboard Assembly	1	1
3	D	IHB001637	Bumper, Recess, Grey	1	2
4	D	IHB004149	Screw, Phillips Pan Head (#8 x 5/8")	1	2
5	B	IHA022678	Footboard Assembly with Cut Out	1	1
	A,B	A024953	Footboard Assembly without Cut Out	1	1
6	C	IHA022721	Footboard Assembly with Cut Out	1	1
	C,A	A024976	Footboard Assembly without Cut Out	1	1
7	D	IHB002194	T-Nut, Cap (20-1/4")	1	8
8	D	IHB007478	Washer, Plated (1/4")	1	8
9	D	IHB011312	Bolt, Hex Head (20-1/4 x 3/4")	1	8
NOTE: A - Not Shown. B - Use with Model IH297-P. C - Use with Model IH297-W. D - Use with both Models IH297-P and IH297-W.					