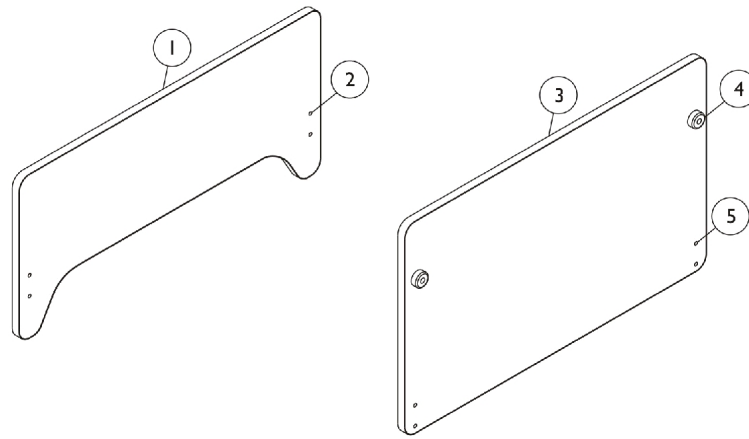


Bedend Assembly - Melamine

(Models 230-P-4 and 230-P-7)

Model IH230-P4

Model IH230-P7



Item Number	Note	Part Number	Description	Quantity Per	
				Package	Assembly
1		1119712	Headboard Assembly with Molding, 230-P4	1	1
1		1119691	Headboard Assembly with Molding, 230-P7	1	1
2		IHB001637	Bumper, Recess, Grey	1	2
3		IHB004149	Screw, Phillips Pan Head (#8 x 5/8")	1	2
4		IHB002194	T-Nut, Cap (20-1/4")	1	8
5		IHB007478	Washer, Plated (1/4")	1	8
6		IHB011312	Bolt, Hex Head (20-1/4 x 3/4")	1	8
7		1119871	Footboard Assembly with Molding, 230-P4	1	1
7		1119868	Footboard Assembly with Molding, 230-P7	1	1